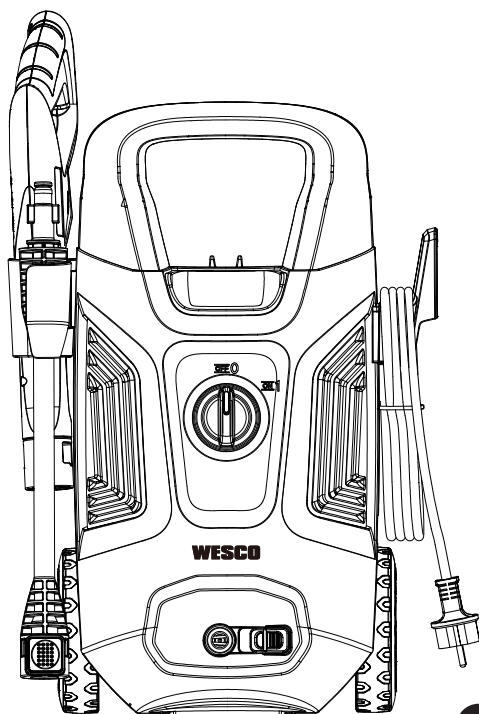


# WESCO



**WS8672**



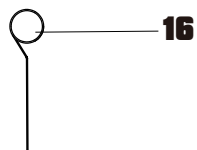
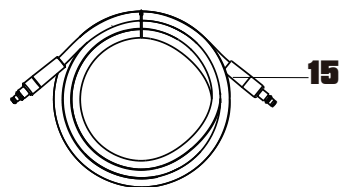
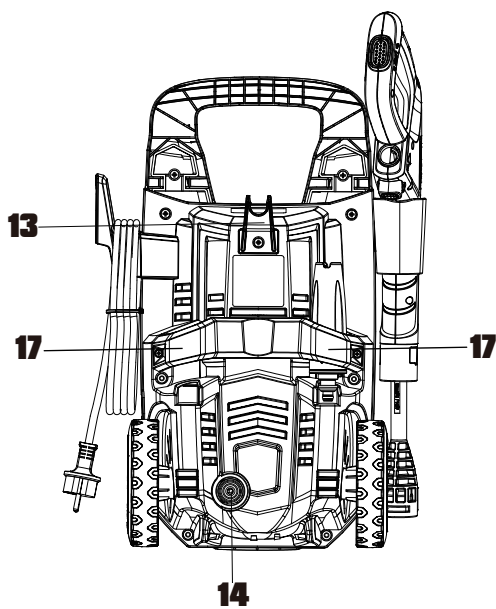
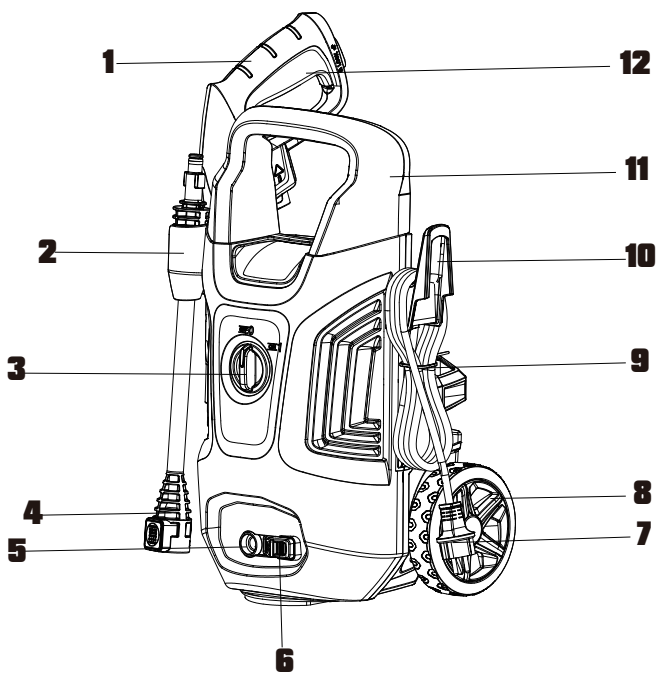
**2 YEAR**  
Warranty

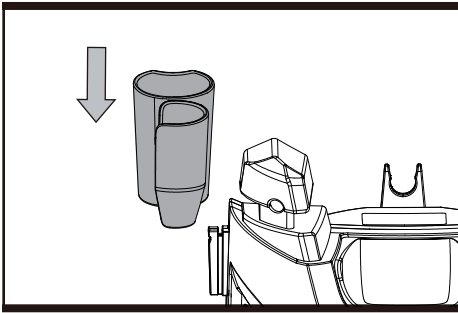
• High pressure washer	EN	P07
• Hochdruckreiniger	DE	P14
• Laveuse à haute pression	FR	P20
• Idropulitrice ad alta pressione	IT	P26
• Limpiadora de alta presión	ES	P32
• Високонатискателен прахосмукачка	BG	P38

---

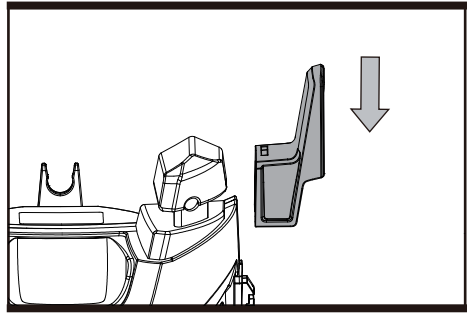
<b>Original instructions</b>	<b>EN</b>
<b>Originalbetriebsanleitung</b>	<b>DE</b>
<b>Notice originale</b>	<b>FR</b>
<b>Istruzioni originali</b>	<b>IT</b>
<b>Manual original</b>	<b>ES</b>
<b>Оригинални инструкции</b>	<b>BG</b>

---

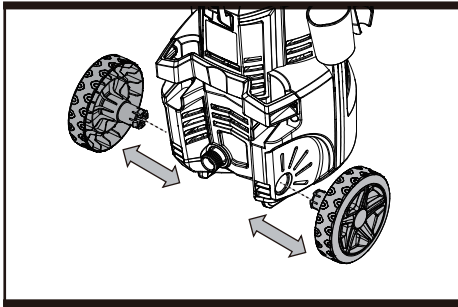




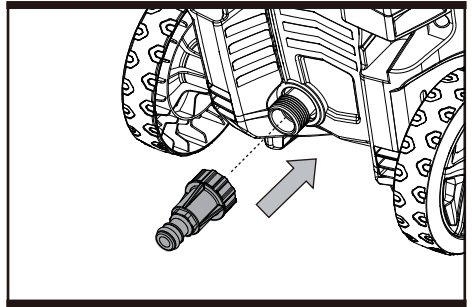
**Fig.A**



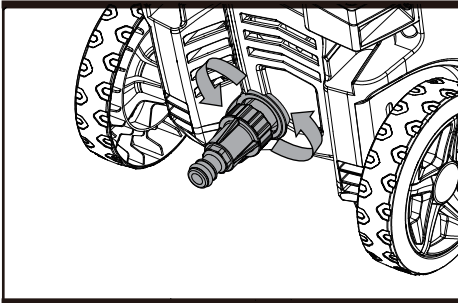
**Fig.B**



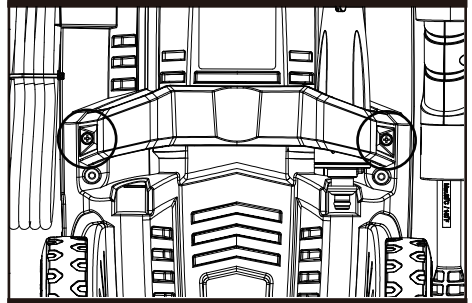
**Fig.C**



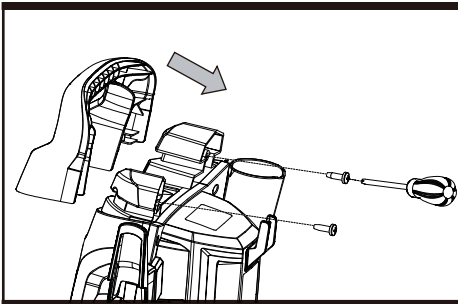
**Fig.D1**



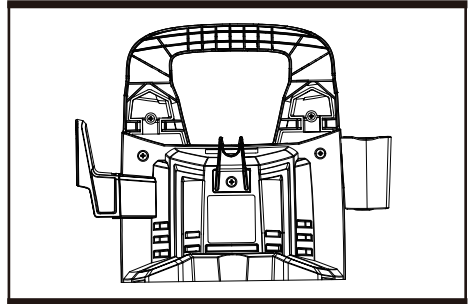
**Fig.D2**



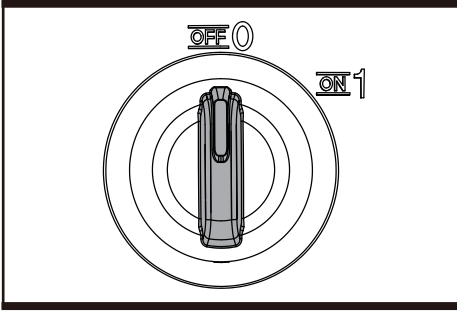
**Fig.E**



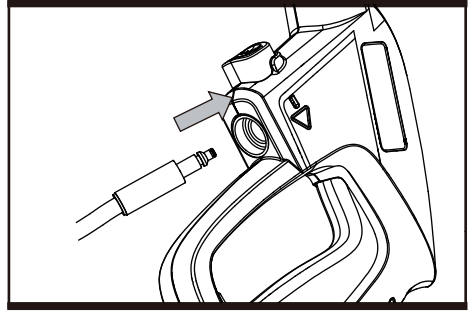
**Fig.F1**



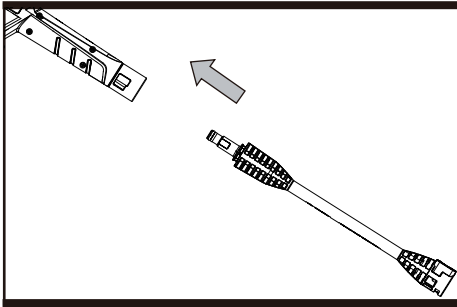
**Fig.F2**



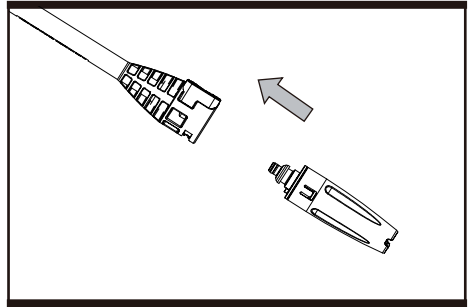
**Fig.G1**



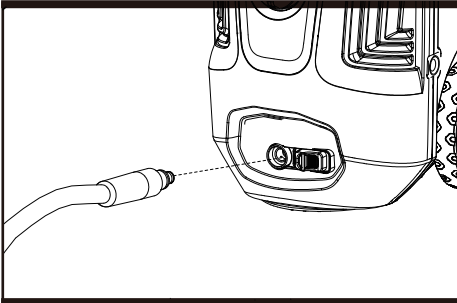
**Fig.G2**



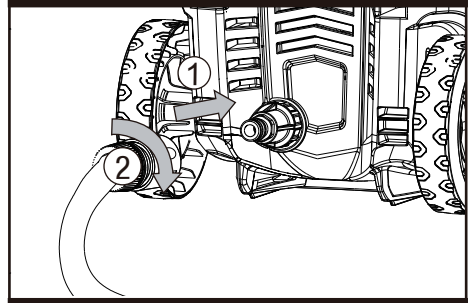
**Fig.G3**



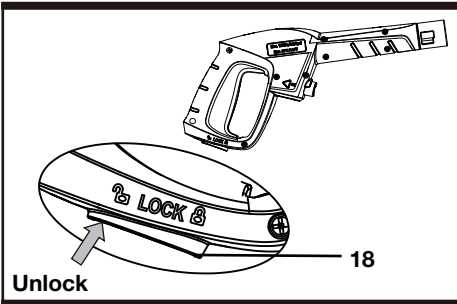
**Fig.G4**



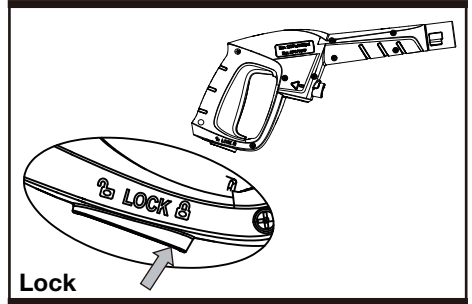
**Fig.G5**



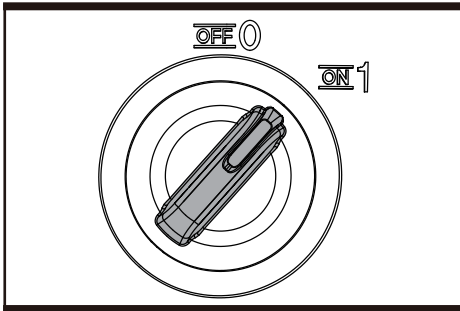
**Fig.H**



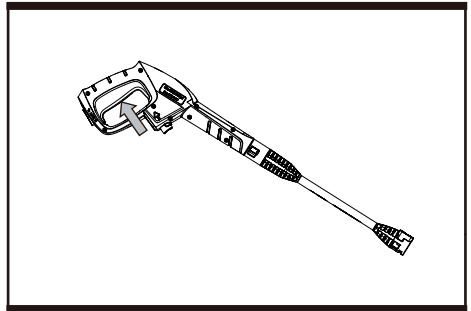
**Fig.I1**



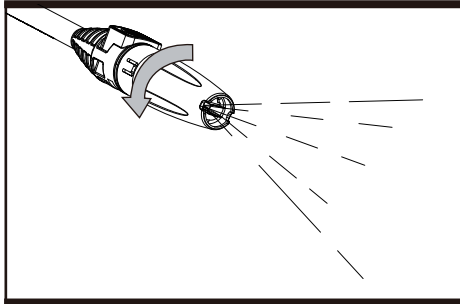
**Fig.I2**



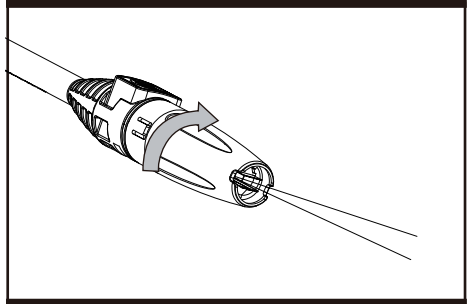
**Fig.I3**



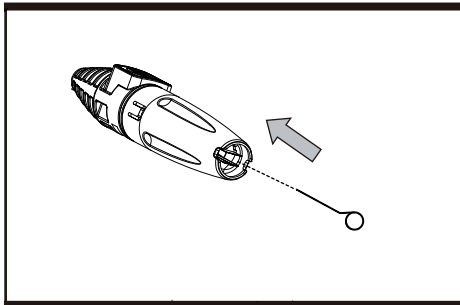
**Fig.I4**



**Fig.J1**



**Fig.J2**



**Fig.K**

## COMPONENT LIST

1. Spray gun
2. Spray gun holder
3. On/Off switch
4. Connection lance
5. Outlet
6. Outlet lock knob
7. Electric plug
8. Wheels\*2
9. Electric cable
10. Holder for electric cable
11. Handle
12. Trigger switch
13. Hose holder
14. Inlet water connector
15. High pressure hose
16. Nozzle cleaning tool (O ring)
17. Lance holder fence
18. Lock-off switch ( See I1)

## TECHNICAL DATA

Type designation **WS8672 (86-designation of machinery, representative of High Pressure Washer)**

Rated voltage	220-240V~50/60Hz
Rated power	1400 W
Rated pressure	70 Bar
Max. pressure	105 Bar
Rated flow capacity	5.5 L/min
Maximum inlet water pressure	7 Bar
Protection class	□ / II
Protection degree	IPX5
Weight	4.5 kg (9.93 lbs)

## NOISE INFORMATION

A weighted sound pressure	$L_{PA} = 73.4 \text{ dB(A)}$
A weighted sound power	$L_{WA} = 87.4 \text{ dB(A)}$
$K_{PA} \& K_{WA}$	3 dB(A)

Wear ear protection when sound pressure is over 80dB (A) .

# VIBRATION INFORMATION

Typical weighted vibration	$a_h = 0.979 \text{ m/s}^2$ (Main handle)
	$a_n = 1.020 \text{ m/s}^2$ (Auxiliary handle)
Uncertainty $K = 1.5 \text{ m/s}^2$	



**WARNING:** The vibration and noise emissions during actual use of the power tool can differ from the declared value depending on the ways in which the tool is used especially what kind of workpiece is processed dependant on the following examples and other variations on how the tool is used:

How the tool is used and the materials being cut or drilled.

The tool being in good condition and well maintained.

The use of the correct accessory for the tool and ensuring it is sharp and in good condition.

The tightness of the grip on the handles and if any anti vibration and noise accessories are used.

And the tool is being used as intended by its design and these instructions.

**This tool may cause hand-arm vibration syndrome if its use is not adequately managed.**



**WARNING:** To be accurate, an estimation of exposure level in the actual conditions of use should also take account of all parts of the operating cycle such as the times when the tool is switched off and when it is running idle but not actually doing the job. This may significantly reduce the exposure level over the total working period.

Helping to minimise your vibration and noise exposure risk.

Always use sharp chisels, drills and blades.

Maintain this tool in accordance with these instructions and keep well lubricated (where appropriate).

If the tool is to be used regularly then invest in anti vibration and noise accessories.

Plan your work schedule to spread any high vibration tool use across a number of days.

## ACCESSORIES

Spray gun	1
Normal nozzle	1
Pressure hose (3M)	1
Soap bottle	1
Nozzle pin	1

We recommend that you purchase your accessories listed in the above list from the same store that sold you the power tool. Refer to the accessory packaging for further details. Store personnel can assist you and offer advice.



**Users can view the electronic instructions at [www.wesco-tools.com](http://www.wesco-tools.com).**

## PRODUCT SAFETY GENERAL SAFETY WARNINGS



**WARNING: Read all safety warnings and all instructions.** Failure to follow the warnings and instructions may result in electric shock, fire and/or serious injury.

### Save all warnings and instructions for future reference.

This machine can be used by people with reduced physical, sensory or mental capabilities or lack of experience and knowledge if they have been given supervision or instruction concerning use of the machine in a safe way and understand the hazards involved. Machines shall not be used by children. Children should be supervised to ensure that they do not play with the machine. If the supply cord is damaged, it must be replaced by the manufacturer, its service agent or similarly qualified persons in order to avoid a hazard.

## ADDITIONAL SAFETY WARNINGS



**WARNING:** Read the instructions before using the machine.

- Safety boots, safety gloves, safety helmets with visors, hearing protection etc. shall be worn while operating the machine.
- When opening the trigger gun, there is a danger of the kickback force and the sudden torque on the spray assembly. Please hold the nozzles tightly.
- **WARNING:** This machine has been designed for use with the cleaning agent supplied or recommended by the manufacturer. The use of other cleaning agents or chemicals may adversely affect the safety of the machine.
- **WARNING:** High pressure jets can be dangerous if subject to misuse. The jet must not be directed at persons, live electrical equipment or the machine itself.
- **WARNING:** Do not use the machine within range of persons unless they wear protective clothing.
- **WARNING:** Do not direct the jet against yourself or others in order to clean clothes or foot-wear.
- Disconnect from the electrical power supply before carrying out user maintenance.
- **WARNING:** High pressure cleaner should not be used by children or untrained personnel.
- **WARNING:** Risk of explosion – Do not spray flammable liquids.
- **WARNING:** To ensure machine safety, use only original spare parts from the manufacturer or approved by the manufacturer.
- **WARNING:** High pressure hoses, fittings and couplings are important for the safety of the appliance. Use only hoses, fittings and couplings recommended by the manufacturer.
- **WARNING:** Water that has flown through backflow preventers is considered to be non-potable.
- **WARNING:** The machine shall be disconnected from its power source by removing the plug from the socket-outlet during cleaning or maintenance and when replacing parts or

converting the machine to another function.

- **WARNING:** Do not use machine if a supply cord or important parts of the machine are damaged, e.g. safety devices, high pressure hoses, trigger gun.
- **WARNING:** Inadequate extension cords can be dangerous. If an extension cord is used, it shall be suitable for outdoor use, and the connection has to be kept dry and off the ground. It is recommended that this is accomplished by means of a cord reel which keeps the socket at least 60 mm above the ground.
- **WARNING:** Always switch off the mains disconnecting switch when leaving the machine unattended..
- The electric supply connection shall be made by a qualified electrician and comply with IEC 60364-1. It is recommended that the electric supply to this machine should include either a residual current device that will interrupt the supply if the leakage current to earth exceeds 30 mA for 30 ms or a device that will prove the earth circuit.

## SYMBOLS



Warning



Read the manual



Double insulation



Machine not suitable for connection to the potable water mains



Warning: Do not direct the jet at persons, animals and electrical equipment.



Waste electrical products must not be disposed of with household waste. Please recycle where facilities exist. Check with your local authorities or retailer for recycling advice.

# OPERATING INSTRUCTIONS



**NOTE:** Before using the tool, read the instruction book carefully.

## Caution!

1. Never use the pressure washer to draw in water contaminated with solvents (e.g. paint thinners, gasoline, oil, etc.).
2. Dirt in the feed water will damage the unit. To avoid this risk, we recommended checking the water filter (located inside the water inlet; to clean it out see maintenance section).
3. Always prevent debris from being drawn into the unit by using a clean water source and an accessory water source and an accessory water filter if required.

## Water supply (cold water only)

1. Do not draw non-water liquids through the unit. For use with cold water supply only.
2. Water hose must be at least a 1.27cm in diameter.
3. Flow rate of water supply must not fall below 5.5 l/min.
4. Flow rate can be determined by running the water for one minute into an empty container.
5. The water supply temperature must not exceed 40°C.

# ASSEMBLY

## 1. ASSEMBLING SPRAY GUN HOLDER

Press the spray gun holder on to the machine. (See Fig. A)

## 2. MOUNTING OF HOLDER FOR ELECTRIC CABLE

Press the holder for electric cable on to the machine. (See Fig. B)

## 3. MOUNTING OF WHEELS

Mount the wheels by pressing them into the bracket. (See Fig. C)

## 4. MOUNTING OF INLET WATER CONNECTOR

Attach Inlet water connector to the machine's inlet. (See Fig. D1, D2)

## 5. MOUNTING OF ADJUSTABLE SPRAY NOZZLE AND LANCE HOLDER

Place the Adjustable spray nozzle and lance holder on to the machine, and fix the screws. (See Fig. E)

## 6. MOUNTING OF HANDLE

Press the handle on to the machine, and fix the screws. (See Fig. F1, F2)

## 7. ASSEMBLING THE HIGH PRESSURE HOSE

- 1) Make sure that ON/OFF switch is in OFF position. (See Fig. G1)
- 2) Insert the high-pressure hose to spray gun. (See Fig. G2)
- 3) Insert the lance into spray gun, and twist 1/4 turn. Then insert the adjustable spray nozzle into the lance, and twist 1/4 turn until rectangular tab appears. (See Fig. G3, G4)
- 4) Connect the high-pressure hose to the high-pressure outlet. (See Fig. G5)

**NOTE:** When remove the high-pressure hose from the spray gun, firstly press the button, then take the hose out of the spray gun.

## 8. CONNECTING WATER SUPPLY

Attach garden hose to water supply and turn water on. (See Fig. H)

# OPERATION

## 1. ON/OFF SAFETY SWITCH

- 1) Connect the plug into a properly grounded outlet.
- 2) Before turning the unit on, press the gun trigger to bleed any trapped air out of the pump and hose.
- 3) Your switch is in a locked off position to prevent in accidental starting. (See Fig. I1)
- 4) Depress lock off button then gun trigger and release lock off button. Your switch is now on. (See Fig. I2)
- 5) To switch off just release the gun trigger.
- 6) Start the pressure washer by turning ON/OFF switch to ON. Press the trigger. Reminder: motor does not run continuously, only when trigger is squeezed. (See Fig. I3, I4)

## Surface preparation

Before starting any cleaning task it is important the area for objects which could create a hazard. Remove objects from the work area which area which could be tripped over, such as toys or outdoor furniture. Ensure that all doors and windows are closed tightly.

## 2. USING THE ACCESSORIES

### 2.1 Adjustable wand

The adjustable nozzle allows you to use any variety of spray patterns from a fan spray to a pencil jet spray. When using pressure washer to clean wood decks, siding, vehicles etc., always start using the fan spray and begin spraying from a minimum 36" away to avoid damaging the surface of the material you are cleaning.



**CAUTION:** Do not adjust the nozzle while the trigger is squeezed.

### 2.2 Adjusting the spray

The adjustable spray nozzle can adjust from fan to jet setting. The spray is adjusted from jet spray to fan spray by turning the nozzle as shown in J1, J2.

**NOTE:** the pressure of the spray on the surface you are cleaning increases as you move the wand closer to the surface.



**CAUTION:** Jet spray adjustment is very aggressive. Do not adjust while spraying. We recommend that for most cleaning applications a 20-degree spray angle should be used to avoid damage to the surface being sprayed.

# STORAGE

The machine should be stored in a frost-free room! Pump, hose and accessories should always be emptied of water prior to storing as follows:

1. Stop the machine and detach water hose and accessory.
2. Restart the machine and activate the trigger. Let the machine run until no more water runs through the spray gun.
3. Stop the machine, unplug and wind up hose and cable.
4. Place spray handle, nozzles and other accessories in the holders of the machine. Should the machine by mistake be frozen, it will be necessary to check it for damage.

## NEVER START-UP A FROZEN MACHINE.

**Frost damages are not covered by the guarantee!**  
**Winding up of electric cable and high pressure hose**

To avoid accidents, the electric cable and the high pressure hose

should always be wound carefully up around the handle. Wind up the cable on the appropriate hook.

### Storage of accessories

The lance and the nozzles can be stored on the pressure washer.

## MAINTENANCE



**WARNING!** Always disconnect the electrical plug from the socket prior to maintenance or cleaning. To ensure a long

and problem free working life, please take the following advice:

- Wash out water hose, high pressure hose, spray lance and accessories before mounting.

- Clean the connectors of dust and sand.

- Rinse the detergent spraying attachment after use.

- Clean the nozzles.

Any repair should always be made in an authorized workshop with original spare parts.

If the supply cord is damaged, it must be replaced by the manufacturer, its service agent or similarly qualified persons in order to avoid a hazard.

### Cleaning of water inlet filter

Clean the water inlet filter regularly once a month or more frequently according to use.

Carefully loosen the filter with a screwdriver and clean it. Check that it is intact before re-mounting it.

The inlet filter must always be fitted inside the water inlet pipe to filter out sand, limestone and other impurities, as they will damage the pump valves.



**CAUTION:** Failure to fit the filter will invalidate the guarantee.

### Cleaning of nozzle

A clogging up in the nozzle causes a pump pressure which is too high. This is why cleaning is required immediately.

1. Stop the machine and disconnect the nozzle.

2. Clean the nozzle.

**IMPORTANT:** The cleaning tool should only be used when the nozzle is detached! (See Fig. K)

3. Flush the nozzle backwards with water.

### Cleaning of machine vents

The machine should be kept clean so as to let cooling air pass freely through the machine vents.

### Greasing of couplings

To ensure an easy connection and that o-rings do not dry up. The couplings should be greased regularly.

## TROUBLESHOOTING

Disconnect the machine from the power source before making any repair. To avoid unnecessary disappointments, you should check the following before contacting the service organization:

Symptom	Cause	Recommended action
Machine refuses to start	Machine not plugged in Defective socket Fuse has blown Defective extension cable	Plug in machine Try another socket. Replace fuse. Switch off other machines. Try without the extension cable.
Fluctuating pressure	Pump sucking air Valves dirty, worn out or stuck Pump seals worn out	Check that hoses and connections are airtight. Clean and replace or refer to local distributor Clean and replace or refer to local distributor
Machine stops	Fuse has blown Incorrect mains voltage  Thermal sensor activated Nozzle partially blocked	Replace fuse. Switch off other machines. Check that the mains voltage corresponds to specification on the model tag. Leave the washer for 5 minutes to cool down. Clean the nozzle
Fuse blows	Fuse too small	Change to an installation higher than the amp. consumption of the machine. You may try without the extension cable.
Machine pulsating	Air in inlet hose Inadequate supply of mains water  Nozzle partially blocked Water filter blocked Hose kinked	Pump allow machine to run with open trigger until regular working pressure resumes. Check that the water supply corresponds to specifications required <b>Warning!</b> Avoid using long, thin hoses (min. 1.27 cm) Clean the nozzle Clean the filter Straighten out hose.
Machine often starts and stops by itself	Pump/spray gun is leaking Centre.	Contact your nearest Service
Machine starts, but no water comes out	Pump/hoses or accessory frozen No water supply Water filter blocked Nozzle blocked	Wait for pump/hoses or accessory to thaw. Connect inlet water. Clean the filter Clean the nozzle

## ENVIRONMENTAL PROTECTION



Waste electrical products must not be disposed of with household waste. Please recycle where facilities exist. Check with your local authorities or retailer for recycling advice.

## PLUG REPLACEMENT (ONLY FOR REWIRABLE PLUG OF UK & IRELAND)

If you need to replace the fitted plug then follow the instructions below.

### IMPORTANT

The wires in the mains lead are colored in accordance with the following code:

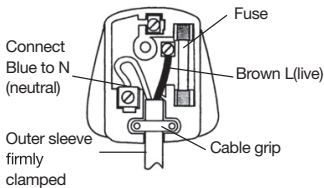
**Blue = Neutral**

**Brown = Live**

As the colors of the wires in the mains lead of this appliance may not correspond with the colored markings identifying the terminals in your plug, proceed as follows. The wire which is colored blue must be connected to the terminal which is marked with N. The wire which is colored brown must be connected to the terminal which is marked with L.

### Warning!

Never connect live or neutral wires to the earth terminal of the plug. Only fit an approved BS1363/A plug and the correct rated fuse. Note: If a moulded plug is fitted and has to be removed take great care in disposing of the plug and severed cable, it must be destroyed to prevent engaging into a socket.



## DECLARATION OF CONFORMITY

We,  
Positec Germany GmbH  
Postfach 680194, 50704 Cologne, Germany

Declare that the product

Description **High pressure washer**

Type **WS8672 (86-designation of machinery, representative of High pressure washer)**

Function **For household cleaning which have a pressure**

Complies with the following Directives:

**2006/42/EC, 2014/30/EU, 2011/65/EU & (EU)2015/863, 2000/14/EC amended by 2005/88/EC**

2000/14/EC amended by 2005/88/EC:

- Conformity Assessment Procedure as per
- Measured Sound Power Level
- Declared Guaranteed Sound Power Level

**Annex V**  
**87.4 dB**  
**92 dB**

Standards conform to

**EN 60335-1, EN 60335-2-79, EN 62233, EN ISO 3744, EN IEC 55014-1, EN IEC 55014-2, EN IEC 61000-3-2, EN 61000-3-3, EN IEC 63000**

The person authorized to compile the technical file,

Name **Marcel Filz**

Address **Positec Germany GmbH**

**Postfach 680194, 50704 Cologne, Germany**

2024/01/11

Allen Ding

Deputy Chief Engineer, Testing & Certification

Positec Technology (China) Co., Ltd

18, Dongwang Road, Suzhou Industrial

Park, Jiangsu 215123, P. R. China

# DECLARATION OF CONFORMITY (UK)

We,  
Positec Power Tools (Europe) Ltd,  
PO Box 6242, Newbury, RG14 9LT, UK

On behalf of Positec declare that the product  
Description **High pressure washer**  
Type **WS8672 (86-designation of machinery,  
representative of High pressure washer)**  
Function **For household cleaning which have a pressure**

Complies with the following regulations:  
**Supply of Machinery (Safety) Regulations 2008**  
**Electromagnetic Compatibility Regulations 2016**  
**The Restriction of the Use of Certain Hazardous Substances in  
Electrical and Electronic Equipment Regulations**  
**Noise Emission in the Environment by Equipment for Use  
Outdoors Regulations**

2000/14/EC amended by 2005/88/EC:  
- Conformity Assessment Procedure as per **SCHEDULE 8**  
- Measured Sound Power Level **87.4 dB**  
- Declared Guaranteed Sound Power Level **92 dB**

Standards conform to  
**BS EN 60335-1, BS EN 60335-2-79, BS EN 62233,  
BS EN ISO 3744, BS EN IEC 55014-1, BS EN IEC 55014-2,  
BS EN IEC 61000-3-2, BS EN 61000-3-3, BS EN IEC 63000**

The person authorized to compile the technical file,  
Name **Jim Kirkwood**  
Address **Positec Power Tools (Europe) Ltd,  
PO Box 6242, Newbury, RG14 9LT, UK**



2024/01/11  
Allen Ding  
Deputy Chief Engineer, Testing & Certification  
Positec Technology (China) Co., Ltd  
18, Dongwang Road, Suzhou Industrial  
Park, Jiangsu 215123, P. R. China

# KOMPONENTEN LIST

1. Spritzpistole
2. Spritzpistolenhalter
3. Ein/Aus-Schalter
4. Verbindungslanze
5. Auslass
6. Auslassverriegelungsknopf
7. Elektrostecker
8. Räder \* 2
9. Elektrokabel
10. Halterung für das Elektrokabel
11. Griff
12. Auslöseschalter
13. Schlauchhalter
14. Einlasswasseranschluss
15. Hochdruckschlauch
16. Düsenreinigungswerkzeug (O-Ring)
17. Lanzenhaltezaun
18. Verriegelungsschalter (Siehe I1)

# TECHNISCHE DATEN

Typ WS8672 (86-Bezeichnung der Maschine, Vertreter der Hochdruckreiniger)

Nennspannung	220-240V~50/60Hz
Nennleistung	1400 W
Nenndruck	70 Bar
Maximaler Druck	105 Bar
Nennfließkapazität	5.5 L/min
Maximale Einlasswasserdruck	7 Bar
Schutzklasse	□ / II
Schutzart	IPX5
Gewicht	4.5 kg (9.93 lbs)

# INFORMATIONEN ÜBER LÄRM

Ein gewichteter Schalldruck	$L_{PA} = 73.4 \text{ dB(A)}$
Eine gewichtete Schalleistung	$L_{WA} = 87.4 \text{ dB(A)}$
$K_{PA} \& K_{WA}$	3 dB(A)

Tragen Sie einen Gehörschutz, wenn der Schalldruckpegel über 80 dB(A) liegt .

# INFORMATIONEN ÜBER VIBRATIONEN

Vibrationsemissionswert	$a_h = 0.979 \text{ m/s}^2$ (Hauptgriff)
	$a_n = 1.020 \text{ m/s}^2$ (Zusatzhandgriff)
Uncertainty $K = 1.5 \text{ m/s}^2$	



**WARNUNG:** Die Vibrations- und Lärmemissionen bei der eigentlichen Nutzung des Elektrowerkzeugs können vom angegebenen Wert abweichen, je nachdem, wie das Werkzeug verwendet wird und insbesondere abhängig davon, welcher Werkstücktyp verarbeitet wird, und abhängig von folgenden Beispielen und verschiedenen Einsatzmöglichkeiten des Werkzeugs:

Wie das Werkzeug verwendet wird und Materialien geschnitten oder angebohrt werden.

Das Werkzeug ist in gutem Zustand und gut gepflegt.

Verwendung des richtigen Zubehörs für das Werkzeug und Gewährleistung seiner Schärfe und seines guten Zustands.

Die Festigkeit des Griffs auf den Handgriffen und, falls Antivibrations- und Lärmschutzzubehör verwendet wird.

Und ob das verwendete Werkzeug dem Design und diesen Anweisungen entsprechend verwendet wird.

**Wird dieses Werkzeug nicht angemessen gehandhabt, kann es ein Hand-Arm-Vibrationssyndrom erzeugen.**



**WARNUNG:** Um genau zu sein, sollte ein Abschätzung des Belastungsgrades aller Arbeitsabschnitte während tatsächlicher Verwendung berücksichtigt werden, z.B. die Zeiten, wenn das Werkzeug ausgeschaltet ist, und wenn es sich im Leerlauf befindet und eigentlich nicht eingesetzt wird. Auf diese Weise kann der Belastungsgrad während der gesamten Arbeitszeit wesentlich gemindert werden.

Hilft dabei, das Risiko der Vibrations- und Lärmbelastung zu minimieren.

Verwenden Sie IMMER scharfe Meißel, Bohrer und Sägeblätter.

Pflegen Sie dieses Werkzeug diesen Anweisungen entsprechend und achten Sie auf eine gute Einfechtung (wo erforderlich).

Falls das Werkzeug regelmäßig verwendet werden soll, investieren Sie in Antivibrations- und Lärmschutzzubehör.

Machen Sie einen Arbeitsplan, um die Verwendung von hochvibrierenden Werkzeugen auf mehrere Tage zu verteilen.


## ZUBEHÖRTEILE

Spritzpistole	1
Normale Düse	1
Druckschlauch (3M)	1
Seifenflasche	1
Düsenstift	1

Wir empfehlen Ihnen, sämtliche Zubehörteile beim selben Fachhändler zu beziehen, bei dem Sie auch Ihr Elektrowerkzeug gekauft haben. Weitere Informationen finden Sie auf der Verpackung der Zubehörteile. Auch Ihr Fachhändler berät Sie gerne.

# Benutzer können die elektronischen Anweisungen auf [www.wesco-tools.com](http://www.wesco-tools.com) anzeigen.

## PRODUKTSICHERHEIT ALLGEMEINE SICHERHEITSHINWEISE

 **WARNUNG:** Lesen Sie alle Sicherheitshinweise und alle Anweisungen. Die Nichtbeachtung der unten aufgeführten Anweisungen kann in elektrischen Schlägen, Feuer und/oder schweren Verletzungen resultieren.

### Bewahren Sie alle Sicherheitshinweise und Anweisungen für die Zukunft auf.

Diese Maschine kann von Personen mit eingeschränkten körperlichen, sensorischen oder geistigen Fähigkeiten oder mangelnder Erfahrung und Kenntnissen verwendet werden, wenn sie beaufsichtigt wurden oder Anweisungen zum sicheren Gebrauch der Maschine erhalten haben und die damit verbundenen Gefahren verstehen. Maschinen dürfen nicht von Kindern verwendet werden. Kinder sollten beaufsichtigt werden, um sicherzustellen, dass sie nicht mit der Maschine spielen. Wenn das Netzkabel beschädigt ist, muss es von einem Hersteller, seinem Servicevertreter oder ebenso qualifizierten Personen ausgetauscht werden, um eine Gefährdung zu vermeiden.

## ZUSÄTZLICHE SICHERHEITSHINWEISE

 **WARNUNG:** Lesen Sie die Anweisungen vor der Verwendung der Maschine.

- Sicherheitsschuhe, Sicherheitshandschuhe, Sicherheitshelme mit Visieren, Gehörschutz usw. müssen während des Betriebs der Maschine getragen werden.
- Beim Öffnen der Spritzpistole besteht die Gefahr des Rückstoßes und des plötzlichen Drehmoments auf der Spritzvorrichtung. Halten Sie die Düsen fest.
- **WARNUNG:** Diese Maschine wurde für die Verwendung mit dem vom Hersteller gelieferten oder empfohlenen Reinigungsmittel konzipiert. Die Verwendung anderer Reinigungsmittel oder Chemikalien kann die Sicherheit der Maschine beeinträchtigen.
- **WARNUNG:** Hochdruckstrahlen können gefährlich sein, wenn sie falsch verwendet werden. Der Strahl darf nicht auf Personen, unter Spannung stehende elektrische Geräte oder die Maschine selbst gerichtet werden.
- **WARNUNG:** Verwenden Sie die Maschine nicht in der Nähe von Personen, es sei denn, sie tragen Schutzkleidung.
- **WARNUNG:** Richten Sie den Strahl nicht auf sich selbst oder andere, um Kleidung oder Schuhe zu reinigen.
- Trennen Sie das Gerät vor der Durchführung von Benutzerwartungsarbeiten von der Stromversorgung.
- **WARNUNG:** Hochdruckreiniger sollten nicht von Kindern oder ungeschultem Personal verwendet werden.
- **WARNUNG:** Explosionsgefahr – Sprühen Sie keine brennbaren Flüssigkeiten.
- **WARNUNG:** Um die Maschinensicherheit zu gewährleisten, verwenden Sie nur Originalersatzteile des Herstellers oder vom Hersteller zugelassene Ersatzteile.
- **WARNUNG:** Hochdruckschläuche, Armaturen und Kupplungen sind für die Sicherheit des Geräts wichtig. Verwenden Sie nur vom Hersteller empfohlene Schläuche, Armaturen und Kupplungen.
- **WARNUNG:** Wasser, das durch Rückflussverhinderer geflossen

ist, gilt als nicht trinkbar.

- **WARNUNG:** Die Maschine muss während der Reinigung oder Wartung und beim Austausch von Teilen oder der Umstellung der Maschine auf eine andere Funktion durch Entfernen des Steckers aus der Steckdose von der Stromquelle getrennt werden.
- **WARNUNG:** Verwenden Sie die Maschine nicht, wenn ein Netzkabel oder wichtige Teile der Maschine beschädigt sind, z. B. Sicherheitseinrichtungen, Hochdruckschläuche, Spritzpistole.
- **WARNUNG:** Unzureichende Verlängerungskabel können gefährlich sein. Wenn ein Verlängerungskabel verwendet wird, muss es für den Außenbereich geeignet sein, und die Verbindung muss trocken gehalten und vom Boden ferngehalten werden. Es wird empfohlen, dies durch eine Kabeltrommel zu erreichen, die die Steckdose mindestens 60 mm über dem Boden hält.
- **WARNUNG:** Schalten Sie immer den Haupttrennschalter aus, wenn Sie die Maschine unbeaufsichtigt lassen.
- **WARNUNG:** Dieser Schlauch enthält elektrische Verbindungen: Verwenden Sie ihn nicht, um Wasser zu sammeln, und tauchen Sie ihn nicht zum Reinigen ins Wasser.
- Die elektrische Anschlussverbindung muss von einem qualifizierten Elektriker hergestellt werden und den Anforderungen der IEC 60364-1 entsprechen. Es wird empfohlen, dass die Stromversorgung dieser Maschine entweder ein Fehlerstromschutzschalter umfasst, der die Versorgung unterbricht, wenn der Fehlerstrom gegen Erde 30 mA für 30 ms überschreitet, oder ein Gerät, das den Erdkreis prüft.

## SYMBOLE



Warnung



Bedienungsanleitung lesen.



Chutzisolation



Maschine nicht für den Anschluss an das Trinkwassernetz geeignet.



Warnung: Richten Sie den Strahl nicht auf Personen, Tiere und elektrische Geräte.



Elektroprodukte dürfen nicht mit dem normalen Haushaltsmüll entsorgt werden, sondern sollten nach Möglichkeit zu einer Recyclingstelle gebracht werden. Ihre zuständigen Behörden oder Ihr Fachhändler geben Ihnen hierzu gerne Auskunft.



# HINWEISE ZUM BETRIEB



**Hinweis:** Lesen Sie das Handbuch vor Inbetriebnahme des Werkzeuges sorgfältig durch.

## Achtung!

1. Verwenden Sie den Hochdruckreiniger niemals, um Wasser aufzunehmen, das mit Lösungsmitteln (z. B. Verdünnern, Benzin, Öl usw.) verunreinigt ist.
2. Schmutz im Zulaufwasser beschädigt das Gerät. Um dieses Risiko zu vermeiden, empfehlen wir, den Wasserfilter zu überprüfen (befindet sich im Wasseranschluss; zur Reinigung siehe Wartungsabschnitt).
3. Verhindern Sie immer, dass Schmutz in das Gerät gelangt, indem Sie eine saubere Wasserquelle und gegebenenfalls einen Zubehör-Wasserfilter verwenden.

## Wasserversorgung (nur kaltes Wasser)

1. Führen Sie keine anderen Flüssigkeiten als Wasser durch das Gerät. Nur für die Verwendung mit kalter Wasserzufuhr.
2. Der Wasserschlauch muss mindestens einen Durchmesser von 1,27cm Zoll haben.
3. Die Durchflussrate der Wasserversorgung darf nicht unter 5,5 l/min liegen.
4. Die Durchflussrate kann ermittelt werden, indem das Wasser eine Minute lang in einen leeren Behälter läuft.
5. Die Wassertemperatur der Versorgung darf 40°C nicht überschreiten.

# MONTAGE

## 1. MONTAGE DES SPRITZPISTOLEHALTERS

Drücken Sie den Spritzpistolenhalter auf die Maschine. (Siehe Abb. A)

## 2. MONTAGE DER HALTERUNG FÜR DAS ELEKTROKABEL

Drücken Sie die Halterung für das Elektrokabel auf die Maschine. (Siehe Abb. B)

## 3. MONTAGE DER RÄDER

Mount the wheels by pressing them into the bracket. (Siehe Abb. C)

## 4. MOUNTING OF INLET WATER CONNECTOR

Montieren Sie die Räder, indem Sie sie in die Halterung drücken. (Siehe Abb. D1, D2)

## 5. MONTAGE DES VERSTELLBAREN SPRÜHKOPFES UND DER LANZENHALTERUNG

Platzieren Sie den verstellbaren Sprühkopf und die Lanzenhalterung auf der Maschine und befestigen Sie die Schrauben. (Siehe Abb. E)

## 6. MONTAGE DES GRIFFS

Drücken Sie den Griff auf die Maschine und befestigen Sie die Schrauben. (Siehe Abb. F1, F2)

## 7. MONTAGE DES HOCHDRUCKSCHLAUCHS

- 1) Stellen Sie sicher, dass der Ein/Aus-Schalter in der AUS-Position ist. (Siehe Abb. G1)
- 2) Stecken Sie den Hochdruckschlauch in die Spritzpistole. (Siehe Abb. G2)
- 3) Stecken Sie die Lanze in die Spritzpistole und drehen Sie sie um 1/4 Umdrehung. Stecken Sie dann die verstellbare Sprühdüse in die Lanze und drehen Sie sie um 1/4 Umdrehung, bis das rechteckige Tab sichtbar wird. (Siehe Abb. G3, G4)

- 4) Verbinden Sie den Hochdruckschlauch mit dem Hochdruckauslass. (Siehe Abb. G5)

**HINWEIS:** Wenn Sie den Hochdruckschlauch von der Spritzpistole entfernen, drücken Sie zunächst die Taste und nehmen Sie dann den Schlauch aus der Spritzpistole heraus.

## 8. WASSERVERSORGUNG ANSCHLIESSEN

Befestigen Sie den Gartenschlauch an der Wasserversorgung und drehen Sie das Wasser auf. (Siehe Abb. H)

# BETRIEB

## 1. EIN/AUS-SICHERHEITSSCHALTER

- 1) Stecken Sie den Stecker in eine ordnungsgemäß geerdete Steckdose.
2. Bevor Sie das Gerät einschalten, drücken Sie den Abzug der Pistole, um eventuelle Luft aus der Pumpe und dem Schlauch zu entlüften.
3. Ihr Schalter befindet sich in einer verriegelten Position, um ein versehentliches Einschalten zu verhindern. (Siehe Abb. I1)
4. Drücken Sie die Verriegelungstaste und dann den Abzug der Pistole und lassen Sie die Verriegelungstaste los. Ihr Schalter ist jetzt eingeschaltet. (Siehe Abb. I2)
5. Um auszuschalten, lassen Sie einfach den Abzug der Pistole los. Starten Sie den Hochdruckreiniger, indem Sie den EIN/AUS-Schalter auf EIN stellen. Drücken Sie den Abzug. Hinweis: Der Motor läuft nicht kontinuierlich, sondern nur, wenn der Abzug gedrückt wird. (Siehe Abb. I3, I4)

## Oberflächenvorbereitung

Bevor Sie mit einer Reinigungsaufgabe beginnen, ist es wichtig, den Bereich auf Gegenstände zu überprüfen, die eine Gefahr darstellen könnten. Entfernen Sie Objekte aus dem Arbeitsbereich, über die gestolpert werden könnte, wie Spielzeug oder Gartenmöbel. Stellen Sie sicher, dass alle Türen und Fenster fest geschlossen sind.

## 2. VERWENDUNG DES ZUBEHÖRS

### 2.1 Verstellbare Lanze

Die verstellbare Düse ermöglicht es Ihnen, eine Vielzahl von Sprühmustern von einem Fächerstrahl bis zu einem Bleistiftstrahl zu verwenden. Wenn Sie einen Hochdruckreiniger zum Reinigen von Holzdecks, Fassaden, Fahrzeugen usw. verwenden, beginnen Sie immer mit dem Fächerstrahl und beginnen Sie mit einem Mindestabstand von 36" zu sprühen, um die Oberfläche des zu reinigenden Materials nicht zu beschädigen.



**VORSICHT:** Verstellen Sie die Düse nicht, während der Abzug gedrückt ist.

### 2.2 Einstellen des Sprühmusters

Die verstellbare Düse kann von einem Strahl- auf ein Fächerstrahlmuster eingestellt werden. Die Einstellung des Sprays von einem Strahl auf einen Fächer erfolgt durch Drehen der Düse, wie in J1, J2 gezeigt.

**HINWEIS:** Der Druck des Sprays auf der Oberfläche, die Sie reinigen, nimmt zu, wenn Sie die Lanze näher an die Oberfläche bringen.



**VORSICHT:** Die Einstellung des Strahls ist sehr aggressiv. Verstellen Sie ihn nicht während des Sprühens. Wir empfehlen, dass für die meisten Reinigungsanwendungen ein Sprühwinkel von 20 Grad verwendet wird, um Schäden an der Oberfläche zu vermeiden.

## LAGERUNG

Das Gerät sollte in einem frostfreien Raum gelagert werden!  
Die Pumpe, der Schlauch und das Zubehör sollten vor der Lagerung immer von Wasser entleert werden, wie folgt:

1. Stoppen Sie das Gerät und trennen Sie den Wasserschlauch und das Zubehör ab.
2. Starten Sie das Gerät erneut und betätigen Sie den Abzug. Lassen Sie das Gerät laufen, bis kein Wasser mehr durch die Spritzpistole läuft.
3. Stoppen Sie das Gerät, ziehen Sie den Stecker und wickeln Sie den Schlauch und das Kabel auf.
4. Legen Sie den Spritzgriff, Düsen und andere Zubehörteile in die Halterungen des Geräts. Sollte das Gerät versehentlich einfrieren, muss es auf Schäden überprüft werden.

### STARTEN SIE NIEMALS EIN GEFRORENES GERÄT.

**Frostschäden sind nicht durch die Garantie abgedeckt!**

#### Umwickeln des Elektrokabels und des Hochdruckschlauchs.

Um Unfälle zu vermeiden, sollten das Elektrokabel und der Hochdruckschlauch immer sorgfältig um den Griff gewickelt werden. Wickeln Sie das Kabel auf den entsprechenden Haken auf.

#### Lagerung der Lanzen

Die Lanzen können am Hochdruckreiniger aufbewahrt werden.

## WARTUNG



**WARNING!** Trennen Sie immer vor Wartungs- oder Reinigungsarbeiten den Stecker des Elektrokabels von der Steckdose. Um eine lange und problemlose Lebensdauer sicherzustellen, beachten Sie bitte die folgenden Hinweise:

- Spülen Sie den Wasserschlauch, den Hochdruckschlauch, die Spritzlanze und das Zubehör vor dem Anbringen aus.
- Reinigen Sie die Anschlüsse von Staub und Sand.
- Spülen Sie den Reinigungsmittelaufsatz nach Gebrauch aus.
- einigen Sie die Düsen.

Jede Reparatur sollte immer in einer autorisierten Werkstatt mit Originalersatzteilen durchgeführt werden.

Wenn das Anschlusskabel beschädigt ist, muss es vom Hersteller, seinem Servicepartner oder gleich qualifizierten Personen ausgetauscht werden, um Gefahren zu vermeiden.

#### - Reinigung des Wasseransaugfilters

Reinigen Sie den Wasseransaugfilter regelmäßig einmal im Monat oder häufiger je nach Gebrauch.

Lösen Sie den Filter vorsichtig mit einem Schraubendreher und reinigen Sie ihn. Überprüfen Sie, ob er intakt ist, bevor Sie ihn wieder montieren.

Der Ansaugfilter muss immer innerhalb des Wasseranschlussrohrs eingebaut werden, um Sand, Kalkstein und andere Verunreinigungen herauszufiltern, da sie die Pumpenventile beschädigen.



**VORSICHT:** Das Nichtanbringen des Filters führt zum Verlust der Garantie.

#### - Reinigung der Düse

Eine Verstopfung in der Düse verursacht einen zu hohen Pumpendruck. Deshalb ist eine Reinigung sofort erforderlich.

1. Stoppen Sie das Gerät und trennen Sie die Düse ab.
2. Reinigen Sie die Düse.

**WICHTIG:** Das Reinigungswerkzeug sollte nur verwendet werden, wenn die Düse abgenommen ist! (Siehe Abb. K)

3. Spülen Sie die Düse rückwärts mit Wasser durch.

#### - Reinigung der Belüftungsöffnungen des Geräts

Das Gerät sollte sauber gehalten werden, damit die Kühlluft frei durch die Belüftungsöffnungen strömen kann.

#### - Fetten der Kupplungen

Um eine einfache Verbindung und das Austrocknen der O-Ringe zu vermeiden, sollten die Kupplungen regelmäßig gefettet werden.

## UMWELTSCHUTZ



Elektroprodukte dürfen nicht mit dem normalen Haushaltsmüll entsorgt werden, sondern sollten nach Möglichkeit zu einer Recyclingstelle gebracht werden. Ihre zuständigen Behörden oder Ihr Fachhändler geben Ihnen hierzu gerne Auskunft.

# FEHLERSUCHE

Trennen Sie das Gerät von der Stromquelle, bevor Sie Reparaturen durchführen. Um unnötige Enttäuschungen zu vermeiden, sollten Sie vor der Kontaktaufnahme mit der Serviceorganisation folgende Punkte überprüfen:

Symptom	Ursache	Empfohlene Maßnahmen
<b>Maschine startet nicht</b>	Maschine nicht eingesteckt Defekte Steckdose Sicherung durchgebrannt Defektes Verlängerungskabel	Maschine einstecken Probieren Sie eine andere Steckdose aus. Sicherung austauschen. Schalten Sie andere Maschinen aus. Versuchen Sie es ohne Verlängerungskabel.
<b>Fluktuation des Drucks</b>	Pumpe saugt Luft Ventile verschmutzt, abgenutzt oder blockiert Pumpendichtungen abgenutzt	Überprüfen Sie, ob Schläuche und Verbindungen luftdicht sind. Reinigen und ersetzen oder wenden Sie sich an den örtlichen Händler.  Reinigen und ersetzen oder wenden Sie sich an den örtlichen Händler.
<b>Maschine stoppt</b>	Sicherung durchgebrannt Falsche Netzspannung Thermosensor aktiviert Düse teilweise blockiert	Sicherung austauschen. Schalten Sie andere Maschinen aus. Überprüfen Sie, ob die Netzspannung den Spezifikationen auf dem Modellschild entspricht. Lassen Sie den Hochdruckreiniger 5 Minuten abkühlen. Reinigen Sie die Düse.
<b>Sicherung durchgebrannt</b>	Sicherung zu klein	Wechseln Sie zu einer Installation, die höher ist als der Ampere-Verbrauch der Maschine. Sie können es ohne Verlängerungskabel versuchen.
<b>Maschine pulsierend</b>	Luft im Ansaugschlauch  Unzureichende Versorgung mit Leitungswasser Düse teilweise blockiert Wasserfilter blockiert Schlauch geknickt	Pumpe laufen lassen, bis der reguläre Arbeitsdruck wiederhergestellt ist. Überprüfen Sie, ob die Wasserversorgung den erforderlichen Spezifikationen entspricht. Warnung! Verwenden Sie keine langen, dünnen Schläuche (min. 1,27 cm). Reinigen Sie die Düse. Reinigen Sie den Filter. Richten Sie den Schlauch aus.
<b>Maschine startet oft von selbst und stoppt</b>	Pumpe/Spritzpistole ist undicht	Kontaktieren Sie Ihren nächsten Service
<b>Maschine startet, aber kein Wasser kommt heraus</b>	Pumpe/Schläuche oder Zubehör eingefroren Keine Wasserversorgung Wasserfilter blockiert Düse blockiert	Warten Sie, bis die Pumpe/Schläuche oder das Zubehör aufgetaut sind. Wasserzulauf anschließen. Reinigen Sie den Filter. Reinigen Sie die Düse.

## KONFORMITÄTSERKLÄRUNG

Wir,  
Positec Germany GmbH  
Postfach 680194, 50704 Cologne, Germany

Erklären hiermit, dass unser Produkt  
Beschreibung **Hochdruckreiniger**  
Typ **WS8672 (86-Bezeichnung der Maschine, Vertreter der Hochdruckreiniger)**  
Funktion **Für die Reinigung im Haushalt, die einen Druck haben**

Den Bestimmungen der folgenden Richtlinien entspricht:  
**2006/42/EC, 2014/30/EU, 2011/65/EU & (EU)2015/863,**  
**2000/14/EC geändert durch 2005/88/EC**

2000/14/EC geändert durch 2005/88/EC:  
- Konformitätsbewertungsverfahren nach  
- Gemessene Schallleistung  
- Garantierte Schallleistung

**Annex V**  
**87.4 dB**  
**92 dB**

Werte nach:

**EN 60335-1, EN 60335-2-79, EN 62233, EN ISO 3744,**  
**EN IEC 55014-1, EN IEC 55014-2, EN IEC 61000-3-2,**  
**EN 61000-3-3, EN IEC 63000**

Zur Kompilierung der technischen Datei ermächtigte Person,  
Name **Marcel Filz**  
Anschrift **Positec Germany GmbH**  
Postfach **680194, 50704 Cologne, Germany**




2024/01/11  
Allen Ding  
Stellvertretender Cheffingenieur, Prüfung und Zertifizierung  
Positec Technology (China) Co., Ltd  
18, Dongwang Road, Suzhou Industrial  
Park, Jiangsu 215123, P. R. China

# LISTE DES COMPOSANTS

1. Pistolet pulvérisateur
2. Support de pistolet pulvérisateur
3. Interrupteur marche/arrêt
4. Lance de connexion
5. Sortie
6. Bouton de verrouillage de sortie
7. Prise électrique
8. Roues \* 2
9. Câble électrique
10. Support pour câble électrique
11. Poignée
12. Interrupteur de détente
13. Support de tuyau
14. Connecteur d'eau d'entrée
15. Tuyau haute pression
16. Outil de nettoyage de buse (joint torique)
17. Barrière de support de lance
18. Interrupteur de verrouillage (Voir I1)

## DONNEES TECHNIQUES

Type WS8672 (86 - désignation de la machine, représentant du nettoyeur haute pression)

Tension nominale	220-240V~50/60Hz
Puissance nominale	1400 W
Pression nominale	70 Bar
Pression maximale	105 Bar
Capacité de débit nominale	5.5 L/min
Pression d'eau d'entrée maximale	7 Bar
Classe de protection	□ / II
Degré de protection	IPX5
Poids	4.5 kg (9.93 lbs)

## INFORMATIONS RELATIVES AU BRUIT

Une pression acoustique pondérée	$L_{PA} = 73.4 \text{ dB(A)}$
Une puissance sonore pondérée	$L_{WA} = 87.4 \text{ dB(A)}$
$K_{PA} \& K_{WA}$	3 dB(A)

Portez une protection auditive lorsque la pression sonore dépasse 80dB (A) .

## INFORMATIONS RELATIVES AUX VIBRATIONS

Valeur d'émission de vibrations	$a_h = 0.979 \text{ m/s}^2$ (Poignée principale)
	$a_n = 1.020 \text{ m/s}^2$ (Poignée auxiliaire)
	Incertitude $K = 1.5 \text{ m/s}^2$

**AVERTISSEMENT:** Les vibrations et les émissions de bruit au cours de l'utilisation réelle de l'outil électrique peuvent varier de la valeur déclarée en fonction du mode d'utilisation de l'outil, en particulier du type de pièce traité selon les exemples suivants et d'autres variations concernant le mode d'utilisation de l'outil:  
Comment l'outil est utilisé et quels matériaux sont coupés ou percés.  
L'outil est en bon état et bien entretenu.  
L'utilisation du bon accessoire pour l'outil et l'assurance qu'il est affûté et en bon état.  
La force avec laquelle vous serrez les poignées et l'utilisation éventuelle d'un quelconque accessoire anti-bruit et anti-vibration.  
Et l'outil est utilisé comme prévu dans sa conception et dans les présentes instructions.

**Cet outil peut causer un syndrome de vibration du bras et de la main s'il n'est pas correctement géré.**

**AVERTISSEMENT:** Pour être précise, une évaluation du niveau d'exposition en conditions réelles d'utilisation doit également tenir compte de toutes les parties du cycle d'utilisation telles que les moments où l'outil est éteint, et ceux où il fonctionne au ralenti mais ne réalise pas réellement de tâche. Ceci peut réduire de façon significative le niveau d'exposition et la période de fonctionnement totale.  
Facteurs contribuant à minimiser votre risque d'exposition aux vibrations et au bruit.  
Utilisez TOUJOURS des ciseaux, des forets et des lames affûtés.  
Entretenez cet outil en accord avec les présentes instructions et maintenez-le lubrifié (si approprié).  
Si l'outil doit être fréquemment utilisé, investissez dans des accessoires anti-bruit et anti-vibration.  
Planifiez votre travail pour étaler toute utilisation d'outil à fortes vibrations sur plusieurs jours.

## ACCESSOIRES

<b>Pistolet pulvérisateur</b>	<b>1</b>
<b>Buse normale</b>	<b>1</b>
<b>Tuyau haute pression (3M)</b>	<b>1</b>
<b>Bouteille de savon</b>	<b>1</b>
<b>Goupille de buse</b>	<b>1</b>

Nous vous recommandons d'acheter tous les accessoires dans le magasin d'acquisition de la machine. Pour plus d'informations, se référer à l'emballage des accessoires. Le personnel du magasin est également là pour vous conseiller.

# Les utilisateurs peuvent consulter les instructions électroniques sur [www.wesco-tools.com](http://www.wesco-tools.com).

## PRODUCT SAFETY GENERAL SAFETY WARNINGS



**AVERTISSEMENT:** Lisez toutes les mises en garde de sécurité et toutes les instructions. Ne pas suivre toutes les instructions énumérées ci-dessous peut conduire à une électrocution, un incendie et / ou des blessures graves.

### Conserver tous les avertissements et toutes les instructions pour pouvoir s'y reporter ultérieurement.

Cette machine peut être utilisée par des personnes présentant des capacités physiques, sensorielles ou mentales réduites ou un manque d'expérience et de connaissances si elles ont reçu une supervision ou des instructions concernant l'utilisation sûre de la machine et comprennent les dangers impliqués.

Les machines ne doivent pas être utilisées par des enfants. Les enfants doivent être surveillés pour s'assurer qu'ils ne jouent pas avec la machine.

Si le cordon d'alimentation est endommagé, il doit être remplacé par le fabricant, son agent de service ou des personnes également qualifiées pour éviter un danger.

## AVERTISSEMENTS DE SÉCURITÉ SUPPLÉMENTAIRES



**AVERTISSEMENT:** Lisez les instructions avant d'utiliser la machine.

- Des bottes de sécurité, des gants de sécurité, des casques de sécurité avec visière, une protection auditive, etc. doivent être portés lors de l'utilisation de la machine.
- Lors de l'ouverture du pistolet à gâchette, il existe un danger de recul et de couple soudain sur l'assemblage de pulvérisation. Veuillez tenir fermement les buses.
- AVERTISSEMENT : Cette machine a été conçue pour être utilisée avec le produit de nettoyage fourni ou recommandé par le fabricant. L'utilisation d'autres agents de nettoyage ou produits chimiques peut affecter négativement la sécurité de la machine.
- AVERTISSEMENT : Les jets à haute pression peuvent être dangereux s'ils sont mal utilisés. Le jet ne doit pas être dirigé vers des personnes, des équipements électriques sous tension ou la machine elle-même.
- AVERTISSEMENT : Ne pas utiliser la machine à proximité de personnes à moins qu'elles ne portent des vêtements de protection.
- AVERTISSEMENT : Ne dirigez pas le jet contre vous-même ou contre d'autres personnes pour nettoyer des vêtements ou des chaussures.
- Débranchez la machine de l'alimentation électrique avant d'effectuer toute maintenance par l'utilisateur.
- AVERTISSEMENT : La haute pression ne doit pas être utilisée par des enfants ou du personnel non formé.
- AVERTISSEMENT : Risque d'explosion - Ne pas pulvériser de liquides inflammables.
- AVERTISSEMENT : Pour assurer la sécurité de la machine, n'utilisez que des pièces de rechange d'origine du fabricant ou approuvées par celui-ci.
- AVERTISSEMENT : Les tuyaux, raccords et raccords haute

pression sont importants pour la sécurité de l'appareil. Utilisez uniquement des tuyaux, raccords et raccords recommandés par le fabricant.

- AVERTISSEMENT : L'eau qui a traversé les dispositifs de prévention du reflux est considérée comme non potable.
- AVERTISSEMENT : La machine doit être déconnectée de son alimentation en retirant la fiche de la prise électrique pendant le nettoyage ou la maintenance et lors du remplacement de pièces ou de la conversion de la machine à une autre fonction.
- AVERTISSEMENT : Ne pas utiliser la machine si un cordon d'alimentation ou des pièces importantes de la machine sont endommagés, par exemple des dispositifs de sécurité, des tuyaux haute pression, un pistolet à gâchette.
- AVERTISSEMENT : Les rallonges électriques inadéquates peuvent être dangereuses. Si une rallonge est utilisée, elle doit être adaptée à une utilisation extérieure, et la connexion doit être maintenue sèche et hors du sol. Il est recommandé d'utiliser un enrouleur de câble qui maintient la prise à au moins 60 mm du sol.
- AVERTISSEMENT : Toujours éteindre l'interrupteur de déconnexion secteur en quittant la machine sans surveillance.
- AVERTISSEMENT : Ce tuyau contient des connexions électriques : ne l'utilisez pas pour collecter de l'eau et ne l'immergez pas dans l'eau pour le nettoyer.
- La connexion d'alimentation électrique doit être réalisée par un électricien qualifié et conforme à la norme IEC 60364-1. Il est recommandé que l'alimentation électrique de cette machine comprenne soit un dispositif de courant résiduel qui interrompt l'alimentation si le courant de fuite vers la terre dépasse 30 mA pendant 30 ms, soit un dispositif qui vérifie le circuit de terre.

## SYMBOLES



Avertissement



Lire le manuel



Double isolation



La machine n'est pas adaptée pour être raccordée au réseau d'eau potable.



Avertissement: Ne dirigez pas le jet vers des personnes, des animaux et des équipements électriques.



Les déchets d'équipements électriques et électroniques ne doivent pas être déposés avec les ordures ménagères. Ils doivent être collectés pour être recyclés dans des centres spécialisés. Consultez les autorités locales ou votre revendeur pour obtenir des renseignements sur l'organisation de la collecte.

# INSTRUCTIONS D'UTILISATION



**REMARQUE:** Avant d'utiliser cet outil, lire attentivement le mode d'emploi.

## Attention!

1. Ne jamais utiliser le nettoyeur haute pression pour aspirer de l'eau contaminée par des solvants (par exemple, diluants pour peinture, essence, huile, etc.).
2. Les impuretés dans l'eau d'alimentation endommageront l'unité. Pour éviter ce risque, nous recommandons de vérifier le filtre à eau (situé à l'intérieur de l'entrée d'eau; pour le nettoyer, voir la section entretien).
3. Empêchez toujours les débris d'être aspirés dans l'unité en utilisant une source d'eau propre et un filtre à eau accessoire si nécessaire.

## Alimentation en eau (eau froide uniquement)

1. Ne pas aspirer de liquides autres que de l'eau à travers l'unité. À utiliser uniquement avec une alimentation en eau froide.
2. Le tuyau d'eau doit avoir un diamètre d'au moins 1,27 cm.
3. Le débit de l'alimentation en eau ne doit pas tomber en dessous de 5,5 l/min.
4. Le débit peut être déterminé en faisant couler l'eau pendant une minute dans un récipient vide.
5. La température de l'alimentation en eau ne doit pas dépasser 40°C.

# ASSEMBLAGE

## 1. ASSEMBLAGE DU SUPPORT DE PISTOLET DE PULVÉRISATION

Appuyez sur le support de pistolet de pulvérisation sur la machine. (Voir Fig. A)

## 2. MONTAGE DU SUPPORT POUR CÂBLE ÉLECTRIQUE

Appuyez sur le support pour câble électrique sur la machine. (Voir Fig. B)

## 3. MONTAGE DES ROUES

Montez les roues en les enfonçant dans le support. (Voir Fig. C)

## 4. MONTAGE DU CONNECTEUR D'EAU D'ENTRÉE

Fixez le connecteur d'eau d'entrée à l'entrée de la machine. (Voir Fig. D1, D2)

## 5. MONTAGE DU PORTE-BUSE RÉGLABLE ET DU SUPPORT DE LANCE

Placez le porte-buse réglable et le support de lance sur la machine, et fixez les vis. (Voir Fig. E)

## 6. MONTAGE DE LA POIGNÉE

Appuyez sur la poignée sur la machine et fixez les vis. (Voir Fig. F1, F2)

## 7. ASSEMBLAGE DU TUYAU HAUTE PRESSION

- 1) Assurez-vous que l'interrupteur marche/arrêt est en position OFF. (Voir Fig. G1)
- 2) Insérez le tuyau haute pression dans le pistolet pulvérisateur. (Voir Fig. G2)
- 3) Insérez la lance dans le pistolet pulvérisateur et tournez-la d'un quart de tour. Ensuite, insérez la buse de pulvérisation réglable dans la lance et tournez-la d'un quart de tour jusqu'à ce que la languette rectangulaire apparaisse. (Voir Fig. G3, G4)
- 4) Connectez le tuyau haute pression à la sortie haute pression. (Voir Fig. G5)

**REMARQUE:** Lorsque vous retirez le tuyau haute pression du pistolet pulvérisateur, appuyez d'abord sur le bouton, puis retirez le tuyau du pistolet pulvérisateur.

## 8. RACCORDEMENT DE L'ALIMENTATION EN EAU

Attachez le tuyau d'arrosage à l'alimentation en eau et ouvrez le robinet. (Voir Fig. H)

# OPÉRATION

## 1. INTERRUPTEUR DE SÉCURITÉ MARCHE/ARRÊT

- 1) Branchez la fiche dans une prise correctement mise à la terre.
- 2) Avant de mettre l'appareil en marche, appuyez sur la gâchette du pistolet pour purger tout l'air emprisonné dans la pompe et le tuyau.
- 3) Votre interrupteur est en position verrouillée pour éviter tout démarrage accidentel. (Voir Fig. I1)
- 4) Appuyez sur le bouton de verrouillage, puis sur la gâchette du pistolet, et relâchez le bouton de verrouillage. Votre interrupteur est maintenant allumé. (Voir Fig. I2)
- 5) Pour éteindre, il suffit de relâcher la gâchette du pistolet.
- 6) Démarrez le nettoyeur haute pression en mettant l'interrupteur marche/arrêt sur ON. Appuyez sur la gâchette. Rappel : le moteur ne fonctionne pas en continu, seulement lorsque la gâchette est pressée. (Voir Fig. I3, I4)

## Préparation de la surface

Avant toute tâche de nettoyage, il est important de garder la zone de travail à l'écart des objets qui pourraient créer un danger. Retirez les objets susceptibles de trébucher de la zone de travail, tels que les jouets ou les meubles d'extérieur. Assurez-vous que toutes les portes et fenêtres sont bien fermées.

## 2. UTILISATION DES ACCESSOIRES

### 2.1 Lance réglable

La buse réglable vous permet d'utiliser une variété de motifs de pulvérisation, de la pulvérisation en éventail à la pulvérisation en jet de crayon. Lors de l'utilisation du nettoyeur haute pression pour nettoyer des terrasses en bois, des bardages, des véhicules, etc., commencez toujours par utiliser la pulvérisation en éventail et commencez à pulvériser à une distance minimale de 36 pouces pour éviter d'endommager la surface du matériau que vous nettoyez.



**ATTENTION:** Ne pas régler la buse pendant que la gâchette est enfoncée.

### 2.2 Réglage de la pulvérisation

La buse normale réglable peut être réglée de la pulvérisation en éventail au réglage en jet. La pulvérisation est ajustée de la pulvérisation en jet à la pulvérisation en éventail en tournant la buse comme indiqué dans J1, J2.

**REMARQUE:** La pression de la pulvérisation sur la surface que vous nettoyez augmente lorsque vous rapprochez la lance de la surface.



**ATTENTION:** Le réglage en jet est très agressif. Ne pas ajuster pendant la pulvérisation. Nous recommandons que, pour la plupart des applications de nettoyage, un angle de pulvérisation de 20 degrés soit utilisé pour éviter d'endommager la surface pulvérisée.

## STOCKAGE

La machine doit être stockée dans une pièce sans gel ! La pompe, le tuyau et les accessoires doivent toujours être vidés d'eau avant de les stocker comme suit :

1. Arrêtez la machine et détachez le tuyau d'eau et les accessoires.
2. Redémarrez la machine et activez la gâchette. Laissez la machine fonctionner jusqu'à ce qu'il n'y ait plus d'eau qui sorte du pistolet de pulvérisation.
3. Arrêtez la machine, débranchez-la et enrroulez le tuyau et le câble.
4. Placez le manche du pistolet, les buses et les autres accessoires dans les supports de la machine. En cas d'erreur, si la machine est gelée, il sera nécessaire de la vérifier pour déceler d'éventuels dommages.

### NE JAMAIS DÉMARRER UNE MACHINE GELÉE.

Les dommages dus au gel ne sont pas couverts par la garantie !

#### Enroulement du câble électrique et du tuyau haute pression.

Pour éviter les accidents, le câble électrique et le tuyau haute pression doivent toujours être soigneusement enroulés autour de la poignée. Enroulez le câble sur le crochet approprié.

#### Stockage des lances

Les lances peuvent être stockées sur le nettoyeur haute pression.

## ENTRETIEN



**WARNING!** Toujours débrancher la fiche électrique de la prise avant toute opération de maintenance ou de nettoyage. Pour garantir une longue durée de vie sans problème, veuillez suivre les conseils suivants :

- Rincer le tuyau d'eau, le tuyau haute pression, le lance de pulvérisation et les accessoires avant le montage.
- Nettoyer les connecteurs de la poussière et du sable.
- Rincer l'accessoire de pulvérisation de détergent après utilisation.
- Nettoyer les buses.

Toute réparation doit toujours être effectuée dans un atelier agréé avec des pièces de rechange d'origine.

Si le cordon d'alimentation est endommagé, il doit être remplacé par le fabricant, son agent de service ou des personnes qualifiées similaires afin d'éviter un danger.

### - Nettoyage du filtre d'entrée d'eau

Nettoyez régulièrement le filtre d'entrée d'eau une fois par mois ou plus fréquemment en fonction de l'utilisation.

Desserrez soigneusement le filtre avec un tournevis et nettoyez-le. Vérifiez qu'il est intact avant de le remonter.

Le filtre d'entrée doit toujours être placé à l'intérieur du tuyau d'entrée d'eau pour filtrer le sable, le calcaire et autres impuretés, car ils endommageront les clapets de la pompe.



**ATTENTION:** Le non-respect du montage du filtre invalidera la garantie.

### - Nettoyage de la buse

Un bouchage de la buse provoque une pression de pompe trop élevée. C'est pourquoi un nettoyage est nécessaire immédiatement.

1. Arrêtez la machine et débranchez la buse.
2. Nettoyez la buse.

**IMPORTANT:** L'outil de nettoyage ne doit être utilisé que lorsque la buse est détachée ! (Voir Fig. K)

3. Rincez la buse en arrière avec de l'eau.

### - Nettoyage des événements de la machine

La machine doit être maintenue propre pour permettre à l'air de refroidissement de passer librement à travers les événements de la machine.

### - Graissage des raccords

Pour assurer une connexion facile et éviter le dessèchement des joints toriques. Les raccords doivent être graissés régulièrement.

## PROTECTION DE L'ENVIRONNEMENT



Les déchets d'équipements électriques et électroniques ne doivent pas être déposés avec les ordures ménagères. Ils sont collectés pour être recyclés dans des centres spécialisés. Consultez les autorités locales ou votre revendeur pour obtenir des renseignements sur l'organisation de la collecte.



# DÉPANNAGE

Débranchez la machine de la source d'alimentation avant toute réparation. Pour éviter des déceptions inutiles, vous devriez vérifier ce qui suit avant de contacter l'organisation de service:

Symptôme	Cause	Action recommandée
<b>La machine refuse de démarrer</b>	La machine n'est pas branchée Prise défectueuse Le fusible a sauté Câble de rallonge défectueux	Brancher la machine Essayer une autre prise. Remplacer le fusible. Éteindre les autres machines. Essayer sans le câble de rallonge.
<b>Pression fluctuante</b>	La pompe aspire de l'air Les valves sont sales, usées ou bloquées Joints de la pompe usés	Vérifier que les tuyaux et les connexions sont étanches à l'air. Nettoyer et remplacer ou consulter le distributeur local.  Nettoyer et remplacer ou consulter le distributeur local.
<b>La machine s'arrête</b>	Le fusible a sauté Tension secteur incorrecte Capteur thermique activé  Buse partiellement obstruée	Remplacer le fusible. Éteindre les autres machines. Vérifier que la tension secteur correspond à la spécification sur l'étiquette du modèle. Laisser la laveuse refroidir pendant 5 minutes. Nettoyer la buse.
<b>Le fusible saute</b>	Fusible trop petit	Passer à une installation ayant une consommation en ampères supérieure à celle de la machine. Vous pouvez essayer sans le câble de rallonge.
<b>Pulsations de la machine</b>	Air dans le tuyau d'entrée  Alimentation en eau insuffisante  Buse partiellement obstruée Filtre à eau obstrué Tuyau plié	Permettre à la pompe de fonctionner avec la gâchette ouverte jusqu'à ce que la pression de travail régulière reprenne. Vérifier que l'alimentation en eau correspond aux spécifications requises. Attention! Évitez d'utiliser des tuyaux longs et minces (minimum 1,27 cm). Nettoyer la buse. Nettoyer le filtre. Redresser le tuyau.
<b>La machine démarre et s'arrête souvent toute seule</b>	La pompe/le pistolet pulvérisateur fuit au centre.	Contactez le service après-vente le plus proche.
<b>La machine démarre, mais aucun écoulement d'eau</b>	La pompe/les tuyaux ou les accessoires sont gelés Pas d'alimentation en eau Filtre à eau obstrué Buse obstruée	Attendre que la pompe/les tuyaux ou les accessoires dégèlent.  Connecter l'eau d'entrée. Nettoyer le filtre. Nettoyer la buse.

## DÉCLARATION DE CONFORMITÉ

Nous,  
Positec Germany GmbH  
Postfach 680194, 50704 Cologne, Germany

Déclarons que ce produit,  
Description **Nettoyeur haute pression**  
Modèle **WS8672 (86 - désignation de la machine, représentant du nettoyeur haute pression)**  
Fonction **Pour le nettoyage domestique, qui nécessite une pression**

Est conforme aux directives suivantes,  
**2006/42/EC, 2014/30/EU, 2011/65/EU & (EU)2015/863,**  
**2000/14/EC amended by 2005/88/EC**

2000/14/EC modifiée par 2005/88/EC:  
- Procédure d'évaluation de la conformité conformément à

- Niveau de pression acoustique  
- Niveau d'intensité acoustique

**Annex V**  
**87.4 dB**  
**92 dB**

Et conforme aux norm,  
**EN 60335-1, EN 60335-2-79, EN 62233, EN ISO 3744,**  
**EN IEC 55014-1, EN IEC 55014-2, EN IEC 61000-3-2,**  
**EN 61000-3-3, EN IEC 63000**

La personne autorisée à compiler le dossier technique,  
Nom **Marcel Filz**  
Adresse **Positec Germany GmbH**  
Postfach 680194, 50704 Cologne, Germany




2024/01/11  
Allen Ding  
Ingénieur en chef adjoint, Essais & Certification  
Positec Technology (China) Co., Ltd  
18, Dongwang Road, Suzhou Industrial  
Park, Jianguo 215123, P. R. China

## ELENCO DEI COMPONENTI

1. Pistola a spruzzo
2. Supporto per pistola a spruzzo
3. Interruttore On/Off
4. Asta di connessione
5. Uscita
6. Pomello di blocco dell'uscita
7. Spina elettrica
8. Ruote \*2
9. Cavo elettrico
10. Supporto per cavo elettrico
11. Maniglia
12. Interruttore a grilletto
13. Supporto per tubo flessibile
14. Connettore di ingresso acqua
15. Tubo flessibile ad alta pressione
16. Attrezzo per la pulizia della boccola (O-ring)
17. Recinzione del supporto asta
18. Interruttore di blocco (Vedi I1)

## DATI TECNICI

Tipo **WS8672** (86-designazione della macchina, rappresentante della lavatrice ad alta pressione)

Tensione nominale	220-240V~50/60Hz
Potenza nominale	1400 W
Pressione nominale	70 Bar
Pressione massima	105 Bar
Portata nominale	5.5 L/min
Pressione massima di ingresso dell'acqua	7 Bar
Classe di protezione	□ / II
Grado di protezione	IPX5
Peso	4.5 kg (9.93 lbs)

## INFORMAZIONI SUL RUMORE

Pressione acustica ponderata A	$L_{PA} = 73.4 \text{ dB(A)}$
Potenza acustica ponderata A	$L_{WA} = 87.4 \text{ dB(A)}$
$K_{PA}$ & $K_{WA}$	3 dB(A)

Indossare protezioni auricolari quando la pressione sonora supera gli 80dB (A) .

## INFORMAZIONI SULLA VIBRAZIONE

Vibrazione ponderata tipica	$a_h = 0.979 \text{ m/s}^2$ (Impugnatura principale) $a_n = 1.020 \text{ m/s}^2$ (Maniglia ausiliaria)
	Incertezza $K = 1.5 \text{ m/s}^2$



**AVVERTENZA:** le emissioni di vibrazioni e sonore durante l'uso effettivo dell'elettrotensile possono differire dal valore dichiarato in base alle modalità con cui esso viene utilizzato. In particolare quale tipo di pezzo viene lavorato dipende dai seguenti fattori e da altre variazioni sulle modalità di utilizzo dell'elettrotensile:

Come viene usato l'elettrotensile e quali sono i materiali tagliati o forati.

Le condizioni e la buona manutenzione dell'elettrotensile.

L'uso dell'accessorio corretto per il taglio e la sua affilatura, nonché le sue buone condizioni.

La tenuta della presa sulle impugnature e se vengono utilizzati eventuali accessori antivibrazioni e antirumore.

L'adeguatezza dell'utilizzo dell'elettrotensile rispetto a quanto previsto.

**Questo elettrotensile potrebbe causare l'insorgenza della sindrome della vibrazione dell'avambraccio se il suo utilizzo non viene gestito correttamente.**



**AVVERTENZA:** per essere precisi, una stima del livello di esposizione nelle attuali condizioni di utilizzo dovrebbe anche tenere conto di tutte le parti del ciclo operativo, come le volte in cui lo strumento viene spento e il tempo in cui viene lasciato girare a vuoto senza realmente fare il suo lavoro. Questo potrebbe ridurre significativamente il livello di esposizione sul periodo di lavoro totale.

Aiuto a minimizzare il rischio di esposizione alle vibrazioni e al rumore.

Usare sempre scalpelli, trapani e lame affilati.

Conservare questo elettrotensile sempre in conformità a queste istruzioni e mantenerlo ben lubrificato (dove appropriato).

Se l'utensile deve essere utilizzato regolarmente, investire in accessori antivibrazioni e antirumore.

Pianificare il lavoro in modo da suddividere i lavori che implicano le maggiori vibrazioni nell'arco di più giorni.


## ACCESSORI

<b>Pistola a spruzzo</b>	<b>1</b>
<b>Ugello normale</b>	<b>1</b>
<b>Tubo flessibile ad alta pressione (3 metri)</b>	<b>1</b>
<b>Bottiglia di sapone</b>	<b>1</b>
<b>Perno dell'ugello</b>	<b>1</b>

Si raccomanda di acquistare tutti gli accessori nello stesso negozio in cui è stato acquistato l'attrezzo. Fare riferimento alla confezione dell'accessorio per altri dettagli. Il personale del negozio può aiutarvi e consigliarvi.

# Gli utenti possono visualizzare le istruzioni elettroniche su [www.wesco-tools.com](http://www.wesco-tools.com).

## SICUREZZA DEL PRODOTTO ISTRUZIONI GENERALI DI SICUREZZA

 **AVVERTENZA:** È assolutamente necessario leggere attentamente tutte le istruzioni. Eventuali errori nell'adempimento delle istruzioni qui di seguito riportate potranno causare scosse elettriche, incendi e/o lesioni gravi.


**Conservare tutti gli avvisi e le istruzioni per poterle consultare quando necessario.**

Questa macchina può essere utilizzata da persone con capacità fisiche, sensoriali o mentali ridotte o da persone prive di esperienza e conoscenza, a patto che ricevano supervisione o istruzioni sull'uso sicuro della macchina e comprendano i rischi coinvolti.

Le macchine non devono essere utilizzate dai bambini. I bambini devono essere supervisionati per garantire che non giochino con la macchina.

Se il cavo di alimentazione è danneggiato, deve essere sostituito dal produttore, dal suo agente di assistenza o da persone altrettanto qualificate per evitare un pericolo.

## ADDITIONAL SAFETY WARNINGS

 **AVVERTENZA:** Leggere le istruzioni prima di utilizzare la macchina.

- Si devono indossare stivali di sicurezza, guanti di sicurezza, caschi di sicurezza con visiera, protezioni uditive, ecc. durante l'operazione della macchina.
- Quando si apre la pistola ad aria compressa, c'è un pericolo di forza di rimbalzo e di coppia improvvisa sull'assemblaggio spruzzatore. Si prega di tenere saldamente le lance.
- AVVERTENZA: Questa macchina è stata progettata per l'uso con il detergente fornito o raccomandato dal produttore. L'uso di altri detersivi o prodotti chimici può influire negativamente sulla sicurezza della macchina.
- AVVERTENZA: I getti ad alta pressione possono essere pericolosi se usati impropriamente. Il getto non deve essere indirizzato verso persone, apparecchiature elettriche in tensione o la macchina stessa.
- AVVERTENZA: Non usare la macchina nelle vicinanze di persone a meno che non indossino abbigliamento protettivo.
- AVVERTENZA: Non indirizzare il getto contro se stessi o gli altri per pulire vestiti o calzature.
- Disconnettere l'alimentazione elettrica prima di effettuare la manutenzione dell'utente.
- AVVERTENZA: Il lavapiatti ad alta pressione non deve essere utilizzato da bambini o personale non addestrato.
- AVVERTENZA: Rischio di esplosione - Non spruzzare liquidi infiammabili.
- AVVERTENZA: Per garantire la sicurezza della macchina, utilizzare solo pezzi di ricambio originali del produttore o approvati dal produttore.
- AVVERTENZA: Tubi, raccordi e connessioni ad alta pressione sono importanti per la sicurezza dell'apparecchio. Utilizzare solo tubi, raccordi e connessioni raccomandati dal produttore.
- AVVERTENZA: L'acqua che è passata attraverso i dispositivi di

non ritorno è considerata non potabile.

- AVVERTENZA: La macchina deve essere scollegata dalla sua fonte di alimentazione rimuovendo la spina dalla presa durante la pulizia o la manutenzione e quando si sostituiscono parti o si converte la macchina in un'altra funzione.
- AVVERTENZA: Non utilizzare la macchina se il cavo di alimentazione o parti importanti della macchina sono danneggiati, ad esempio dispositivi di sicurezza, tubi ad alta pressione, pistola ad aria compressa.
- AVVERTENZA: Le prolunghie inadeguate possono essere pericolose. Se viene utilizzato un prolunga, deve essere adatto per uso esterno e il collegamento deve essere mantenuto asciutto e sollevato da terra. Si consiglia di utilizzare un avvolgicavo che tenga la presa almeno a 60 mm da terra.
- AVVERTENZA: Spegnerne sempre l'interruttore di disconnessione principale quando si lascia la macchina incustodita.
- AVVERTENZA: Questo tubo contiene connessioni elettriche: non utilizzarlo per raccogliere acqua e non immergerlo in acqua per la pulizia.
- Il collegamento dell'alimentazione elettrica deve essere effettuato da un elettricista qualificato e conforme alla norma IEC 60364-1. Si consiglia che l'alimentazione elettrica per questa macchina includa un dispositivo di corrente residua che interrompa l'alimentazione se la corrente di dispersione verso terra supera i 30 mA per 30 ms o un dispositivo che verifichi il circuito di terra.

## SIMBOLI



Avvertenza



Leggere il manuale



Doppio isolamento



La macchina non è adatta per il collegamento alla rete idrica potabile.



Avvertenza: Non dirigere il getto verso persone, animali ed apparecchiature elettriche.



I prodotti elettrici non possono essere gettati tra i rifiuti domestici. L'apparecchio da rottamare deve essere portato al centro di riciclaggio per un corretto trattamento. Controllare con le autorità locali o con il rivenditore per localizzare il centro di riciclaggio più vicino.

# ISTRUZIONI DI FUNZIONAMENTO



**NOTA:** Leggere scrupolosamente il manuale delle istruzioni prima di usare l'attrezzo.

## Attenzione!

1. Non utilizzare mai il lavaggio ad alta pressione per aspirare acqua contaminata da solventi (ad esempio, diluenti per vernici, benzina, olio, ecc.).
2. La sporcizia nell'acqua di alimentazione danneggerà l'unità. Per evitare questo rischio, raccomandiamo di controllare il filtro dell'acqua (posizionato all'interno dell'ingresso dell'acqua; per pulirlo vedere la sezione manutenzione).
3. Evitare sempre che detriti vengano aspirati nell'unità utilizzando una fonte d'acqua pulita e un filtro d'acqua accessorio se necessario.

## Fornitura d'acqua (solo acqua fredda)

1. Non aspirare liquidi non acquosi attraverso l'unità. Per l'uso solo con alimentazione d'acqua fredda.
2. Il tubo dell'acqua deve avere un diametro di almeno 1,27 cm.
3. La portata dell'acqua di alimentazione non deve scendere al di sotto di 5,5 l/min.
4. La portata può essere determinata facendo scorrere l'acqua per un minuto in un contenitore vuoto.
5. La temperatura dell'acqua di alimentazione non deve superare i 40°C.

# ASSEMBLEA

## 1. MONTAGGIO DEL SUPPORTO PER L'EROGATORE

Premere il supporto per l'erogatore sulla macchina. (Vedi Fig. A)

## 2. MONTAGGIO DEL SUPPORTO PER IL CAVO ELETTRICO

Premere il supporto per il cavo elettrico sulla macchina. (Vedi Figura. B)

## 3. MONTAGGIO DELLE RUOTE

Montare le ruote premendole nel supporto. (Vedi Figura. C)

## 4. MONTAGGIO DEL CONNETTORE DI INGRESSO ACQUA

Collegare il connettore di ingresso acqua all'ingresso della macchina. (Vedi Figura. D1, D2)

## 5. MONTAGGIO DELL'UGELLO REGOLABILE E DEL SUPPORTO ASTA

Posizionare l'ugello regolabile e il supporto asta sulla macchina e fissare le viti. (Vedi Figura. E)

## 6. MONTAGGIO DEL MANICO

Premere il manico sulla macchina e fissare le viti. (Vedi Figura. F1, F2)

## 7. ASSEMBLAGGIO DEL TUBO FLESSIBILE AD ALTA PRESSIONE

- 1) Assicurarsi che l'interruttore ON/OFF sia in posizione OFF. (Vedi Figura. G1)
- 2) Inserire il tubo flessibile ad alta pressione nella pistola a spruzzo. (Vedi Figura. G2)
- 3) Inserire l'asta nella pistola a spruzzo e ruotare di 1/4 di giro. Poi inserire l'ugello regolabile nell'asta e ruotare di 1/4 di giro fino a quando compare la linguetta rettangolare. (Vedi Figura. G3, G4)
- 4) Collegare il tubo flessibile ad alta pressione all'uscita ad alta pressione. (Vedi Figura. G5)

**NOTA:** Quando si rimuove il tubo flessibile ad alta pressione dalla pistola a spruzzo, premere prima il pulsante e quindi togliere il tubo dalla pistola a spruzzo.

## 8. COLLEGAMENTO DELL'APPROVVIGIONAMENTO IDRICO

Collegare il tubo del giardino all'approvvigionamento idrico e aprire l'acqua. (Vedi Figura. H)

# OPERAZIONE

## 1. INTERRUOTTORE DI SICUREZZA ON/OFF

- 1) Collegare la spina a una presa adeguatamente messa a terra.
- 2) Prima di accendere l'unità, premere il grilletto della pistola per eliminare eventuali bolle d'aria intrappolate nella pompa e nel tubo.
- 3) Il tuo interruttore è in posizione di blocco per evitare l'accensione accidentale. (Vedi Figura I1)
- 4) Premere il pulsante di blocco, quindi il grilletto della pistola e rilasciare il pulsante di blocco. Il tuo interruttore è ora acceso. (Vedi Figura I2)
- 5) Per spegnere, basta rilasciare il grilletto della pistola.
- 6) Avviare il lavapavimenti premendo l'interruttore ON/OFF su ON. Premere il grilletto. Promemoria: il motore non funziona in modo continuo, solo quando si preme il grilletto. (Vedi Figura I3, I4)

## Preparazione della superficie

Prima di qualsiasi attività di pulizia, è importante mantenere l'area di lavoro libera da oggetti che potrebbero creare pericoli. Rimuovere gli oggetti che potrebbero essere inciampati dall'area di lavoro, come giocattoli o mobili da esterno. Assicurarsi che tutte le porte e le finestre siano ben chiuse.

## 2. UTILIZZO DEGLI ACCESSORI

### 2.1 Lancia regolabile

La lancia regolabile consente di utilizzare una varietà di pattern di spruzzatura, da un getto a ventaglio a un getto a matita. Quando si utilizza il lavaggio ad alta pressione per pulire ponti di legno, rivestimenti, veicoli, ecc., iniziare sempre utilizzando lo spruzzo a ventaglio e iniziare a spruzzare da almeno 36 pollici di distanza per evitare danni alla superficie del materiale che si sta pulendo.



**ATTENZIONE:** Non regolare la lancia mentre si preme il grilletto.

### 2.2 Regolazione dello spruzzo

La normale lancia a spruzzo regolabile può essere regolata da spruzzo a ventaglio a getto. Lo spruzzo viene regolato da getto a spruzzo a ventaglio girando la lancia come mostrato in G1. La lancia turbo spruzza solo la modalità getto come mostrato in J1, J2.

**NOTA:** La pressione dello spruzzo sulla superficie che si sta pulendo aumenta man mano che si avvicina alla superficie.



**ATTENZIONE:** La regolazione dello spruzzo a getto è molto aggressiva. Non regolare mentre si sta spruzzando. Raccomandiamo che per la maggior parte delle applicazioni di pulizia venga utilizzato un angolo di spruzzo di 20 gradi per evitare danni alla superficie che viene spruzzata.

## STOCCAGGIO

La macchina dovrebbe essere conservata in una stanza priva di gelo!

Pompa, tubo e accessori devono sempre essere svuotati dall'acqua prima di essere conservati come segue:

1. Arrestare la macchina e staccare il tubo dell'acqua e gli accessori.
2. Riavviare la macchina e attivare il grilletto. Far funzionare la macchina finché non esce più acqua dalla pistola di spruzzo.
3. Arrestare la macchina, scollegare la spina e avvolgere il tubo e il cavo.
4. Mettere la maniglia della pistola, le lance e altri accessori negli alloggiamenti della macchina. Se per errore la macchina fosse congelata, sarà necessario controllare se ci sono danni.

### NON FAR FUNZIONARE MAI UNA MACCHINA CONGELATA.

**I danni da gelo non sono coperti dalla garanzia!**

#### **Avvolgimento del cavo e del tubo ad alta pressione.**

Per evitare incidenti, il cavo elettrico e il tubo ad alta pressione devono essere avvolti attentamente intorno alla maniglia.

Avvolgere il cavo sul gancio appropriato.

#### **Stoccaggio delle lance**

Le lance possono essere conservate sulla lavatrice ad alta pressione.

## MANUTENZIONE



**ATTENZIONE!** Scollegare sempre la spina elettrica dalla presa prima di eseguire manutenzione o pulizia. Per garantire una lunga e senza problemi vita lavorativa, si prega di seguire i seguenti consigli:

- Sciacquare il tubo dell'acqua, il tubo ad alta pressione, la lancia di spruzzo e gli accessori prima del montaggio.
- Pulire i connettori dalla polvere e dalla sabbia.
- Risciacquare l'attacco per la spruzzatura del detergente dopo l'uso.
- Pulire le punte.

Eventuali riparazioni devono essere effettuate sempre presso un'officina autorizzata con pezzi di ricambio originali.

Se il cavo di alimentazione è danneggiato, deve essere sostituito dal produttore, dal suo agente di assistenza o da persone altrettanto qualificate per evitare rischi.

#### **- Pulizia del filtro di ingresso dell'acqua**

Pulire regolarmente il filtro di ingresso dell'acqua una volta al mese o più frequentemente a seconda dell'uso.

Allentare con attenzione il filtro con un cacciavite e pulirlo.

Verificare che sia integro prima di rimontarlo.

Il filtro di ingresso deve essere sempre montato all'interno del tubo di ingresso dell'acqua per filtrare la sabbia, il calcare e altre impurità, in quanto danneggerebbero le valvole della pompa.



**ATTENZIONE:** La mancata installazione del filtro invaliderà la garanzia.

#### **- Pulizia della punta**

Un intasamento nella punta provoca una pressione della pompa troppo alta. Per questo motivo è necessaria una pulizia immediata.

1. Arrestare la macchina e scollegare la punta.

2. Pulire la punta.

**IMPORTANTE:** Lo strumento di pulizia dovrebbe essere utilizzato solo quando la punta è staccata! (Vedi Figura. K)

3. Sciacquare la punta all'indietro con acqua.

#### **- Pulizia delle prese d'aria della macchina**

La macchina deve essere mantenuta pulita in modo che l'aria di raffreddamento possa passare liberamente attraverso le prese d'aria della macchina.

#### **- Lubrificazione delle giunzioni**

Per garantire una connessione facile e che gli O-ring non si asciughino, le giunzioni dovrebbero essere lubrificate regolarmente.

## UTELA AMBIENTALE



I prodotti elettrici non possono essere gettati tra i rifiuti domestici. L'apparecchio da rottamare deve essere portato al centro di riciclaggio per un corretto trattamento.

Controllare con le autorità locali o con il rivenditore per

localizzare il centro di riciclaggio più vicino.

## RISOLUZIONE DEI PROBLEMI

Scogliere la macchina dalla fonte di alimentazione prima di effettuare qualsiasi riparazione. Per evitare delusioni inutili, è consigliabile verificare quanto segue prima di contattare l'assistenza:

Sintomo	Causa	Azione raccomandata
<b>La macchina si rifiuta di avviarsi</b>	Macchina non collegata Presa difettosa Il fusibile è saltato Cavo di prolunga difettoso	Collegare la macchina Prova un'altra presa. Sostituire il fusibile. Spegnerle le altre macchine. Prova senza prolunga.
<b>Pressione fluttuante</b>	Pompa che aspira aria Valvole sporche, usurate o bloccate Guarnizioni della pompa usurate	Controllare che i tubi e i collegamenti siano ermetici. Pulire e sostituire oppure rivolgersi al distributore locale. Pulire e sostituire oppure rivolgersi al distributore locale.
<b>La macchina si ferma</b>	Il fusibile è saltato Tensione di rete errata  Sensore termico attivato Ugello parzialmente ostruito	Sostituire il fusibile. Spegnerle le altre macchine. Verificare che la tensione di rete corrisponda alle specifiche riportate sulla targhetta del modello. Lasciare raffreddare la lavatrice per 5 minuti. Pulire l'ugello.
<b>Il fusibile si brucia</b>	Fusibile troppo piccolo	Passare a un'installazione più alta dell'amplificatore. consumo della macchina. Puoi provare senza la prolunga.
<b>Macchina pulsante</b>	Aria nel tubo di ingresso  Alimentazione idrica di rete inadeguata Ugello parzialmente ostruito Filtro dell'acqua bloccato Tubo piegato	La pompa consente alla macchina di funzionare con la leva aperta finché non viene ripristinata la pressione di esercizio regolare. Verificare che l'alimentazione idrica corrisponda alle specifiche richieste Avvertimento! Evitare l'uso di tubi lunghi e sottili (min. 1,27 cm). Pulire l'ugello. Pulire il filtro. Raddrizzare il tubo.
<b>La macchina spesso si avvia e si arresta da sola</b>	La pompa/pistola a spruzzo perde Centro.	Contatta il Servizio più vicino
<b>La macchina si avvia, ma non esce acqua</b>	Pompa/tubi flessibili o accessori congelati Nessuna fornitura d'acqua Filtro dell'acqua bloccato Ugello bloccato	Attendere che la pompa/i tubi flessibili o l'accessorio si scongelino.  Collegare l'acqua in ingresso. Pulire il filtro. Pulire l'ugello.

## DICHIARAZIONE DI CONFORMITÀ

Noi,  
Positec Germany GmbH  
Postfach 680194, 50704 Cologne, Germany

Dichiara che l'apparecchio  
Descrizione **Pulitore ad alta pressione**  
Codice **WS8672 (86-designazione della macchina, rappresentante della lavatrice ad alta pressione)**  
Funzione **Per la pulizia domestica che richiede pressione**

È conforme alle seguenti direttive,  
**2006/42/EC, 2014/30/EU, 2011/65/EU & (EU)2015/863, 2000/14/EC amended by 2005/88/EC**

2000/14/EC modificata dalla 2005/88/EC:  
- Procedura di conformità come da  
- Potenza acustica pesata  
- Massima potenza di rumore garantita

Conforme a,  
**EN 60335-1, EN 60335-2-79, EN 62233, EN ISO 3744,**

**EN IEC 55014-1, EN IEC 55014-2, EN IEC 61000-3-2, EN 61000-3-3, EN IEC 63000**

Il responsabile autorizzato alla compilazione della documentazione tecnica,

Nome **Marcel Filz**  
Indirizzo **Positec Germany GmbH**  
**Postfach 680194, 50704 Cologne, Germany**




**Annex V**  
**87.4 dB**  
**92 dB**

2024/01/11  
Allen Ding  
Vice capo ingegnere, testing e certificazione  
Positec Technology (China) Co., Ltd  
18, Dongwang Road, Suzhou Industrial  
Park, Jiangsu 215123, P. R. China

# LISTA DE COMPONENTES

1. Pistola pulverizadora
2. Soporte de pistola de pulverización
3. Interruptor de encendido/apagado
4. Lanza de conexión
5. Salida
6. Perilla de bloqueo de salida
7. Enchufe eléctrico
8. Ruedas \* 2
9. Cable eléctrico
10. Soporte para cable eléctrico
11. Mango
12. Interruptor de gatillo
13. Soporte de manguera
14. Conector de entrada de agua
15. Manguera de alta presión
16. Herramienta de limpieza de boquillas (junta tórica)
17. Valla porta lanzas
18. Interruptor de bloqueo (Ver I1)

## DATOS TÉCNICOS

Designación de tipo **WS8672 (86-designación de maquinaria, Limpiador de alta presión)**

Tensión nominal	220-240V~50/60Hz
Potencia nominal	1400 W
Presión nominal	70 Bar
máx. presión	105 Bar
Capacidad de flujo nominal	5.5 L/min
Presión máxima del agua de entrada	7 Bar
clase de protección	□ / II
Grado de protección	IPX5
Peso	4.5 kg (9.93 lbs)

## INFORMATIONEN ÜBER LÄRM


Ein gewichteter Schalldruck	$L_{PA} = 73.4 \text{ dB(A)}$
Eine gewichtete Schalleistung	$L_{WA} = 87.4 \text{ dB(A)}$
$K_{PA} \& K_{WA}$	3 dB(A)

Usar protección auditiva cuando la presión sonora supere los 80dB (A) 



# INFORMATIONEN ÜBER VIBRATIONEN

Vibrationsemissionswert	$a_n = 0.979 \text{ m/s}^2$ (Mango principal)
	$a_n = 1.020 \text{ m/s}^2$ (Manija auxiliar)
Unsicherheit $K = 1.5 \text{ m/s}^2$	

 **WARNUNG:** Die Vibrations- und Lärmemissionen bei der eigentlichen Nutzung des Elektrowerkzeugs können vom angegebenen Wert abweichen, je nachdem, wie das Werkzeug verwendet wird und insbesondere abhängig davon, welcher Werkstücktyp verarbeitet wird, und abhängig von folgenden Beispielen und verschiedenen Einsatzmöglichkeiten des Werkzeugs:

Wie das Werkzeug verwendet wird und Materialien geschnitten oder angebohrt werden.


Das Werkzeug ist in gutem Zustand und gut gepflegt.

Verwendung des richtigen Zubehörs für das Werkzeug und Gewährleistung seiner Schärfe und seines guten Zustands.

Die Festigkeit des Griffs auf den Handgriffen und, falls Antivibrations- und Lärmschutzzubehör verwendet wird.

Und ob das verwendete Werkzeug dem Design und diesen Anweisungen entsprechend verwendet wird.

**Wird dieses Werkzeug nicht angemessen gehandhabt, kann es ein Hand-Arm-Vibrationssyndrom erzeugen.**

 **WARNUNG:** Um genau zu sein, sollte eine Abschätzung des Belastungsgrades aller Arbeitsabschnitte während tatsächlicher Verwendung berücksichtigt werden, z.B. die Zeiten, wenn das Werkzeug ausgeschaltet ist, und wenn es sich im Leerlauf befindet und eigentlich nicht eingesetzt wird. Auf diese Weise kann der Belastungsgrad während der gesamten Arbeitszeit wesentlich gemindert werden. Hilft dabei, das Risiko der Vibrations- und Lärmbelastung zu minimieren.

Verwenden Sie **IMMER** scharfe Meissel, Bohrer und Sägeblätter.

Pflegen Sie dieses Werkzeug diesen Anweisungen entsprechend und achten Sie auf eine gute Einfettung (wo erforderlich).

Falls das Werkzeug regelmäßig verwendet werden soll, investieren Sie in Antivibrations- und Lärmschutzzubehör.

Machen Sie einen Arbeitsplan, um die Verwendung von hochvibrierenden Werkzeugen auf mehrere Tage zu verteilen.

## ACCESORIOS

Pistola rociadora	1
Boquilla normal	1
Manguera de presión (3M)	1
botella de jabón	1
Pasador de boquilla	1

Recomendamos que adquiera todos sus accesorios en el mismo comercio donde compró la herramienta. Consulte los estuches de los accesorios para más detalles. El personal del comercio también podría ayudar y aconsejarse.

# Los usuarios pueden ver las instrucciones electrónicas en [www.wesco-tools.com](http://www.wesco-tools.com).

## ADVERTENCIAS DE SEGURIDAD GENERALES



**ADVERTENCIA!** Lea y comprenda todas las instrucciones. El no seguir todas las instrucciones a continuación puede ocasionar descargas eléctricas, incendios y/o heridas graves.

Conserve todas las advertencias e instrucciones para consulta futura.

Esta máquina puede ser utilizada por personas con capacidades físicas, sensoriales o mentales reducidas o con falta de experiencia y conocimiento si han recibido supervisión o instrucciones sobre el uso de la máquina de manera segura y comprenden los peligros involucrados.

Los niños no deben utilizar las máquinas. Se debe supervisar a los niños para asegurarse de que no jueguen con la máquina.

Si el cable de alimentación está dañado, debe ser reemplazado por el fabricante, su agente de servicio o personas igualmente calificadas para evitar riesgos.

## ADVERTENCIAS DE SEGURIDAD ADICIONALES



**ADVERTENCIA:** Lea las instrucciones antes de usar la máquina.

- Las botas de seguridad, los guantes de seguridad, los cascos de seguridad con viseras, la protección auditiva, etc., se deben usar mientras se opera la máquina.
- Al abrir el gatillo de la pistola, existe el peligro de la fuerza de retroceso y el torque repentino en el ensamblaje del rociador. Por favor sostenga las boquillas firmemente.
- **ADVERTENCIA** Esta máquina ha sido diseñada para su uso con el agente limpiador suministrado o recomendado por el fabricante. El uso de otros agentes de limpieza o productos químicos puede afectar negativamente a la seguridad de la máquina.
- **ADVERTENCIA** durante el uso de limpiadores de alta presión, pueden formarse aerosoles. La inhalación de aerosoles puede ser peligrosa para la salud.
- **ADVERTENCIA** los chorros de alta presión pueden ser peligrosos si están sujetos a mal uso. El chorro no debe dirigirse a personas, equipos eléctricos vivos ni a la propia máquina.
- **ADVERTENCIA** No utilice la máquina dentro del rango de personas a menos que lleven ropa protectora.
- **ADVERTENCIA** No dirija el chorro contra usted u otros para limpiar la ropa o los pies.
- Desconecte la alimentación eléctrica antes de realizar el mantenimiento del usuario.
- **ADVERTENCIA** el limpiador de alta presión no debe ser utilizado por niños o personal no entrenado.
- **ADVERTENCIA** riesgo de explosión – no rocíe líquidos inflamables.
- **ADVERTENCIA** para garantizar la seguridad de la máquina,

utilice únicamente repuestos originales del fabricante o aprobados por el fabricante.

- **ADVERTENCIA** las mangueras, racores y acoplamientos de alta presión son importantes para la seguridad del aparato. Utilice únicamente mangueras, racores y acoplamientos recomendados por el fabricante
- **ADVERTENCIA** el agua que ha circulado a través de los preventorios de reflujo se considera no potable.
- **ADVERTENCIA** la máquina se desconectará de su fuente de alimentación quitando el enchufe de la toma de corriente durante la limpieza o el mantenimiento y al sustituir piezas o convertir la máquina a otra función.
- **ADVERTENCIA** No utilice la máquina si se daña un cable de alimentación o partes importantes de la máquina, p. ej., dispositivos de seguridad, mangueras de alta presión, pistola accionadora.
- **Advertencia** Los cables de extensión inadecuados pueden ser peligrosos. Si se utiliza un cable de extensión, será adecuado para uso en exteriores, y la conexión debe mantenerse seca y fuera del suelo. Se recomienda que esto se logra por medio de un carrete de cable que mantiene el zócalo por lo menos 60 mm por encima del suelo.
- **ADVERTENCIA** Desconecte siempre el interruptor de desconexión de la red cuando deje la máquina sin usar.
- La conexión del suministro eléctrico deberá ser realizada por un electricista calificado y cumplir con la norma IEC 60364-1. Se recomienda que el suministro eléctrico a esta máquina incluya un dispositivo de corriente residual que interrumpirá el suministro si la corriente de fuga a tierra supera los 30 mA durante 30 ms o un dispositivo de línea a tierra.

## SÍMBOLO



Advertencia



Lea el manual del operador



Aislamiento doble



Máquina no apta para la conexión a la red de agua potable



**ADVERTENCIA:** no dirija el chorro a personas, animales y equipos eléctricos.



Elektroprodukte dürfen nicht mit dem normalen Haushaltsmüll entsorgt werden, sondern sollten nach Möglichkeit zu einer Recyclingstelle gebracht werden. Ihre zuständigen Behörden oder Ihr Fachhändler geben Ihnen hierzu gerne Auskunft.

# INSTRUCCIONES



**NOTA:** Antes de utilizar la herramienta, lea atentamente la guía de instrucciones.

## ¡PRECAUCIÓN!

1. No utilice nunca la hidro limpiadora para extraer agua contaminada con disolventes (p.ej. diluyentes de pintura, gasolina, aceite, etc.).
2. La suciedad en el agua de alimentación dañará la unidad. Para evitar este riesgo, se recomienda comprobar el filtro de agua (ubicado dentro de la entrada de agua; para limpiarlo ver sección de mantenimiento).
3. Siempre Evite que los desechos se introduzcan en la unidad utilizando una fuente de agua limpia y una fuente de agua segura y un filtro de agua accesorio si es necesario.

## Suministro de agua (sólo agua fría)

1. No introduzca líquidos que no sean agua a través de la unidad. Para uso con suministro de agua fría solamente.
2. La manguera de agua debe ser por lo menos 1.27cm de diámetro.
3. El caudal de suministro de agua no debe caer por debajo 5.5 l /min.
4. El caudal se puede determinar vertiendo el agua durante un minuto en un recipiente vacío.
5. La temperatura de suministro de agua no debe exceder 40°C.

# ENSAMBLE

## 1. MONTAJE SOSTENEDOR DE LA PISTOLA DE AEROSOL

Presione el soporte de la pistola pulverizadora a la máquina. (Véase la Fig. A)

## 2. MONTAJE DEL SOPORTE PARA CABLE ELÉCTRICO

Presione el soporte para el cable eléctrico a la máquina. (Véase la Fig. B)

## 3. MONTAJE DE LAS RUEDAS

Monte las ruedas presionándolas en el soporte. (Véase la Fig. C)

## 4. MONTAJE DE CONECTOR DE AGUA DE ENTRADA

Coloca el conector de agua a la entrada de la máquina. (Véase la Fig. D1, D2)

## 5. MONTAJE DEL SOPORTE DE BOQUILLA Y LANZA DE PULVERIZACIÓN

Coloque el soporte de la Boquilla y lanza de pulverización ajustables a la máquina, ajustando los tornillos. (Véase la Fig. E)

## 6. MONTAJE DE MANIJA

Coloque la manija en la máquina, y fije los tornillos. (Véase la Fig. F1, F2)

## 7. MONTAJE DE LA MANGUERA DE ALTA PRESIÓN

- 1) Asegúrese de que el interruptor de encendido/apagado esté en la posición OFF. (Véase la Fig. G1)
- 2) Introduzca la manguera de alta presión en la pistola. (Véase la Fig. G2)
- 3) Inserte la lanza en la pistola de pulverización, y gire ¼ vuelta en sentido horario. Entonces introduzca la boquilla de pulverización ajustable en la lanza, gire ¼ vuelta en sentido horario hasta que aparezca la pestaña rectangular. (Véase la Fig. G3, G4)

4) Conecte la manguera de alta presión a la toma de alta presión. (Véase la Fig. G5)

**NOTA:** cuando quite la manguera de alta presión de la pistola pulverizadora, primero presione el botón, luego saque la manguera de la pistola pulverizadora.

## 8. CONEXIÓN DEL SUMINISTRO DE AGUA

Fije la manguera de jardín al suministro de agua y abra el grifo. (Véase la Fig. H)

# OPERACIÓN

## 1. INTERRUPTOR DE SEGURIDAD ON/OFF

- 1) Conecte el enchufe a un tomacorriente debidamente conectado a tierra.
- 2) Antes de encender la unidad, presione el gatillo de la pistola para purgar el aire atrapado de la bomba y la manguera.
- 3) El interruptor está en una posición bloqueada prevenir en el arranque accidental. (Véase la Fig. I1)
- 4) Oprima el botón de bloqueo y luego el gatillo de la pistola (a) y suelte el bloqueo (b). Su interruptor está ahora encendido. (Véase la Fig. I2)
- 5) Libere el gatillo de la pistola.
- 6) Encienda la lavadora a presión girando el interruptor ON/OFF a ON. Presione el gatillo. Recordatorio: el motor no funciona de forma continua, sólo cuando se aprieta el gatillo. (Véase la Fig. I3, I4)

## PREPARACIÓN DE LA SUPERFICIE

Antes de realizar cualquier tarea de limpieza es importante observar el área de objetos que podrían crear un peligro. Quite los objetos del área de trabajo de la zona que podría tropezarse, como juguetes o muebles de exterior. Asegúrese de que todas las puertas y ventanas estén cerradas herméticamente.

## 2. USO DE LOS ACCESORIOS

### 2.1 VARILLA AJUSTABLE

La boquilla ajustable le permite utilizar cualquier variedad de selección de pulverizado desde un spray de riego a un chorro de limpieza. Cuando utilice una limpiadora a presión para limpiar cubiertas de madera, revestimientos, vehículos, etc., siempre empiece a utilizar el spray de riego y empiece a pulverizar desde un mínimo de los 36" para evitar dañar la superficie del material que está limpiando.



**PRECAUCIÓN:** No ajuste la boquilla mientras el gatillo está apretado.

### 2.2 AJUSTE DEL SPRAY

La boquilla de pulverización ajustable puede ajustarse desde riego al ajuste de chorro de limpieza. El spray se ajusta de la pulverización de chorro a la pulverización de riego girando la boquilla como se muestra en Fig. J1, J2.

**NOTA:** la presión del spray en la superficie que está limpiando aumenta a medida que se mueve la varilla más cerca de la superficie. Asegúrese de que el símbolo del patrón de boquilla se alinee con la marca indicada en la herramienta, de lo contrario la boquilla se filtrará y no habrá suficiente presión.



**PRECAUCIÓN:** El ajuste del spray jet es muy agresivo. No lo ajuste durante la pulverización. Recomendamos que para la mayoría de las aplicaciones de limpieza se utilice un ángulo de pulverización de 20 grados para evitar dañar la superficie Rociado.

## ALMACENAMIENTO

¡La máquina debe almacenarse en una habitación libre de heladas! La bomba, la manguera y los accesorios siempre deben vaciarse de agua antes de almacenarlas de la siguiente manera:

1. Detenga la máquina y separe la manguera de agua y el accesorio.
2. Reinicie la máquina y active el disparador. Deje que la máquina funcione hasta que no corra más agua a través de la pistola pulverizadora.
3. Detenga la máquina, desenchufe y enrolle la manguera y el cable.
4. Coloque la manija rociadora, las boquillas y otros accesorios en los soportes de la máquina. Compruebe que la máquina está dañada si está congelada.

### ¡NUNCA ARRANQUE UNA MÁQUINA CONGELADA

**¡La garantía no cubre los daños causados por heladas!**

#### Almacenamiento de cable eléctrico y manguera de alta presión

Para evitar accidentes, el cable eléctrico y la manguera de alta presión deben estar siempre bien envueltas alrededor de la manija. Enrolle el cable en el gancho apropiado.

#### Almacenaje de accesorios

La lanza y las boquillas se pueden almacenar en la hidro limpiadora.

## MANTENIMIENTO



**¡ADVERTENCIA!** Desconecte siempre el enchufe eléctrico de la toma de corriente antes de su mantenimiento o limpieza. Para asegurar una vida útil larga y sin problemas, por favor, siga los siguientes consejos:

- Lave la manguera de agua, la manguera de alta presión, la lanza de pulverización y los accesorios antes de montarla.
- Limpie los conectores de polvo y arena.
- Limpie las boquillas.

Cualquier reparación debe efectuarse siempre en un taller autorizado con piezas de repuesto originales.

Si el cable de alimentación está dañado, deberá sustituirse por el fabricante, por su agente de servicio o por personas calificadas para evitar riesgos.

#### Limpieza del filtro de entrada de agua

Limpie el filtro de entrada de agua regularmente una vez al mes con más frecuencia según su uso.

Afloje con cuidado el filtro con un destornillador y límpielo.

Compruebe que esté intacto antes de volver a montarlo.

El filtro de admisión debe montarse siempre dentro del tubo de entrada de agua para filtrar la arena, la piedra caliza y otras impurezas, ya que dañarán las válvulas de la bomba.



**PRECAUCIÓN:** Si no se ajusta el filtro, se invalidará la garantía.

#### ¡Limpieza de la boquilla

Una obstrucción en la boquilla provoca una presión de la bomba demasiado alta. Es por eso por lo que la limpieza es necesario inmediatamente.

1. detenga la máquina y desconecte la boquilla.
2. Limpie la boquilla. (Véase la Fig. K)

**Importante:** ¡La herramienta de limpieza sólo se debe utilizar cuando la boquilla está separada!

3. Lave la boquilla hacia atrás con agua.

#### Limpieza de los respiraderos de la máquina

La máquina debe mantenerse limpia para permitir que el aire de enfriamiento pase libremente a través de las rejillas de ventilación de la máquina.

#### Engrase de Acoplamientos

Para asegurar una conexión fácil y que las juntas tóricas no se sequen. Los acoplamientos deben engrasarse regularmente.

## PROTECCIÓN AMBIENTAL



Los residuos de aparatos eléctricos y electrónicos no deben depositarse en la basura doméstica. Se deben reciclar en las instalaciones especializadas. Consulte a las autoridades locales o el establecimiento para saber cómo reciclar estos productos.

## DECLARACIÓN DE CONFORMIDAD

Los que reciben,  
Positec Germany GmbH  
Postfach 680194, 50704 Cologne, Germany

Declaran que el producto,  
Descripción **Limpiador de alta presión**  
Modelo **WS8672 (86-designación de maquinaria, representante de lavadora de alta presión)**  
Funciones **Para limpieza doméstica que tenga presión.**

Cumple con las siguientes Directivas,  
**2006/42/EC, 2014/30/EU, 2011/65/EU & (EU)2015/863, 2000/14/EC modificada por 2005/88/EC**

2000/14/EC modificada por 2005/88/EC:  
- Procedimiento de evaluación de la conformidad de acuerdo con **Annex V 87.4 dB**  
- Nivel de presión acústica **87.4 dB**  
- Nivel de intensidad acústica **92 dB**

Cumple las normativas:  
**EN 60335-1, EN 60335-2-79, EN 62233, EN ISO 3744, EN IEC 55014-1, EN IEC 55014-2, EN IEC 61000-3-2, EN 61000-3-3, EN IEC 63000**

La persona autorizada para componer el archivo técnico,

Nombre **Marcel Filz**  
Dirección **Positec Germany GmbH**  
Postfach **680194, 50704 Cologne, Germany**



2024/01/11  
Allen Ding  
Ingeniero Jefe Adjunto. Pruebas y Certificación  
Positec Technology (China) Co., Ltd  
18, Dongwang Road, Suzhou Industrial  
Park, Jiangsu 215123, P. R. China

## SOLUCIÓN DE PROBLEMAS

Desconecte la máquina de la fuente de alimentación antes de realizar cualquier reparación. Para evitar decepciones innecesarias, debe comprobar lo siguiente antes de ponerse en contacto con la organización del servicio:

Síntoma	Causa	Acción recomendada
<b>La máquina se niega a empezar</b>	Máquina no enchufada Toma corriente defectuoso Se ha fundido el fusible Cable de extensión defectuoso	Enchufe la máquina Pruebe con otro tomacorriente. Apague otras máquinas. Pruebe sin el cable de extensión.
<b>Presión fluctuante</b>	Bomba de succión de aire Válvulas sucias, desgastadas o atascada Sellos de bomba desgastados	Compruebe que las mangueras y las conexiones estén herméticas. Limpie y reemplace o consulte al distribuidor local  Limpie y reemplace o consulte al distribuidor local
<b>Paradas de la máquina</b>	Fusible fundido Tensión de red incorrecta  Sensor térmico activado Boquilla parcialmente bloqueada	Reemplace el fusible. Apague otras máquinas. Compruebe que la tensión de red corresponde a la especificación de la etiqueta del modelo. Deje la lavadora durante 5 minutos para enfriarse. Limpie la boquilla
<b>Salto de fusible</b>	Fusible demasiado pequeño	Cambie a una instalación más alta, adecuado consumo de la máquina. Puede intentarlo sin el cable de extensión.
<b>Máquina pulsante</b>	Aire en la manguera de entrada  Suministro inadecuado de agua de red  Boquilla parcialmente bloqueada Filtro de agua bloqueado Manguera torcida	La bomba permite que la máquina funcione con el gatillo abierto hasta que la presión de trabajo normal se reanuda. Compruebe que el suministro de agua tenga las especificaciones requeridas <b>¡Advertencia!</b> Evite el uso de mangueras largas y delgadas (mín. 1/2 ") Limpie la boquilla Limpie el filtro Enderece la manguera
<b>Máquina a menudo comienza y se detiene por sí mismo</b>	La bomba/pistola pulverizadora está goteando.	Comuníquese con su servicio más cercano
<b>La máquina arranca, pero no sale agua</b>	Bomba/mangueras o accesorio congelado Sin suministro de agua Filtro de agua bloqueado Boquilla bloqueada	Espere a que la bomba/mangueras o accesorios se descongelen. Conecte el agua de entrada. Limpie el filtro Limpie la boquilla

# СПИСЪК НА КОМПОНЕНТИТЕ

1. Пистолет за пръскане
2. Държач за пистолет за пръскане
3. Превключвател Вкл./Изкл.
4. Връзка лост
5. Изход
6. Бутон за заключване на изхода
7. Електрическа щепсел
8. Колела \*2
9. Електрически кабел
10. Държач за електрически кабел
11. Дръжка
12. Превключвател за спускане
13. Държач за маркуч
14. Входен конектор за вода
15. Маркуч с високо налягане
16. Инструмент за почистване на дюзата (0 пръстен)
17. Ограда за държача на лоста
18. Бутон за заключване (Виж I1)

## ТЕХНИЧЕСКИ ДАННИ

Тип **WS8672 (86-дизайн на машината, представляващ високо налягане пръскачка)**

Номинално напрежение	220-240V~50/60Hz
Номинална мощност	1400 W
Номинално налягане	70 Bar
Максимално налягане	105 Bar
Номинална пропускливост на потока	5.5 L/min
Максимално налягане на входящата вода	7 Bar
Клас на защита	□ / II
Степен на защита	IPX5
Тегло	4.5 kg (9.93 lbs)

## ИНФОРМАЦИЯ ЗА ШУМА

Претеглено звуково налягане	$L_{PA} = 73.4 \text{ dB(A)}$
Претеглена звукова мощност	$L_{WA} = 87.4 \text{ dB(A)}$
$K_{PA} \& K_{WA}$	3 dB(A)

Носете защита за ушите, когато звуковото налягане надвишава 80dB (A) 

## ИНФОРМАЦИЯ ЗА ВИБРАЦИИТЕ

Типична претеглена вибрация	$a_h = 0,979 \text{ m/s}^2$ (Главна дръжка)
	$a_h = 1,020 \text{ m/s}^2$ (Допълнителна дръжка)
Несигурност $K = 1.5 \text{ m/s}^2$	



**ПРЕДУПРЕЖДЕНИЕ:** Стойността на емисиите на вибрации и шум при реално използване на електроинструмента може да се различава от декларираната стойност в зависимост от начините, по които инструментът се използва, в зависимост от детайла, който се обработва, и в зависимост от следните примери и други варианти за начина на използване на инструмента:

Как се използва инструментът и материалите, които се режат или пробиват.

Добро състояние и правилна поддръжка на инструмента.

Използване на правилните аксесоари за инструмента и поддържането му остър и в добро състояние.

Стегнат захват на ръкохватките и използване на противовибрационни и противощумови аксесоари. Употреба на инструмента според дизайна му и тези инструкции.

**Този инструмент може да предизвика синдром на вибрация „ръка-рамо“, ако употребата му не се управлява адекватно.**



**ПРЕДУПРЕЖДЕНИЕ:** За да бъде точна, оценката на нивото на експозиция в реалните условия на употреба трябва също да вземе предвид всички части от работния цикъл, като например времето, през което инструментът е изключен и когато работи на празен ход без реално да извършва работа. Това може значително да намали нивото на експозиция през общия работен период.

Как да намалите риска от експозиция на вибрации и шум. Винаги използвайте остри длета, свредла и ножове.

Грижете се за инструмента според тези инструкции и го поддържайте смазан (където е приложимо). Ако инструментът ще се използва редовно, инвестирайте в противовибрационни и противощумови аксесоари.

Планирайте работния си график, за да разпределите употребата на високовибрационни инструменти в няколко отделни дни.

## **AKSESUARLAR**

**Пистолет за боядисване**

**1**

**Нормална дюза**

**1**

**Маркуч под налягане (3М)**

**1**

**Бутилка за сапун**

**1**

**Болт за дюзата**

**1**

Препоръчваме ви да закупите аксесоарите си от същия магазин, в който е продаден инструментът. За повече информация вижте опаковката на аксесоарите. Персоналът на магазина може да ви помогне и да ви даде съвет.

# Потребителите могат да видят електронните инструкции на [www.wesco-tools.com](http://www.wesco-tools.com).

## БЕЗОПАСНОСТ НА ИЗДЕЛИЕТО ОБЩИ ПРЕДУПРЕЖДЕНИЯ ЗА БЕЗОПАСНОСТ



**ВНИМАНИЕ: Прочетете всички предупреждения за безопасност и всички инструкции.** Неспазването на всички посочени инструкции може да доведе до токов удар, пожар и/или сериозно нараняване.

### Запазете всички предупреждения и инструкции за бъдеща справка.

Тази машина може да бъде използвана от хора със снижена физическа, сетивна или умствена способност или липса на опит и познания, ако са получили надзор или инструкции за използването на машината по безопасен начин и разбират рисковете, свързани с това. Машините не трябва да се използват от деца. Децата трябва да бъдат наблюдавани, за да се гарантира, че не се забавляват с машината. Ако захранващият кабел е повреден, трябва да бъде заменен от производителя, неговият сервизен агент или подобно квалифицирано лице, за да се избегне опасност.

## ДОПЪЛНИТЕЛНИ ПРЕДУПРЕЖДЕНИЯ ЗА БЕЗОПАСНОСТ



**ВНИМАНИЕ: Прочетете инструкциите преди да използвате машината.**

- При работа с машината трябва да се носят безопасни обувки, защитни ръкавици, каски със защитни визири, защита за слух и др.
- При отварянето на пистолета за пръскане съществува риск от отблъскване и внезапна въртяща сила върху устройството за пръскане. Моля, държете дюзите здраво.
- **ПРЕДУПРЕЖДЕНИЕ:** Тази машина е предназначена за употреба с почистващ агент, предоставен или препоръчан от производителя. Използването на други почистващи средства или химикали може неблагоприятно да повлияе на безопасността на машината.
- **ПРЕДУПРЕЖДЕНИЕ:** Високите налягащи струи могат да бъдат опасни, ако се използват

неправилно. Струята не трябва да бъде насочвана към хора, живи електрически уреди или самата машина.

- **ПРЕДУПРЕЖДЕНИЕ:** Не използвайте машината в близост до хора без защитни облекла.
- **ПРЕДУПРЕЖДЕНИЕ:** Не насочвайте струята към себе си или други хора за почистване на облекла или обувки.
- Изключете машината от електрическото захранване преди да извършвате поддръжка.
- **ПРЕДУПРЕЖДЕНИЕ:** Високонапорната машина не трябва да се използва от деца или неподготвени лица.
- **ПРЕДУПРЕЖДЕНИЕ:** Риск от експлозия – Не пръскайте запалителни течности.
- **ПРЕДУПРЕЖДЕНИЕ:** За осигуряване на безопасността на машината използвайте само оригинални резервни части от производителя или одобрени от производителя.
- **ПРЕДУПРЕЖДЕНИЕ:** Високонапорните маркучи, фитингите и свързващите елементи са важни за безопасността на уреда. Използвайте само маркучи, фитинги и свързващи елементи, препоръчани от производителя.
- **ПРЕДУПРЕЖДЕНИЕ:** Водата, която е преминала през обратно пречупвачи, се счита за несъхраняема за пиене.
- **ПРЕДУПРЕЖДЕНИЕ:** Машината трябва да бъде изключена от източника на захранване, като се отстрани щепсела от контакта по време на почистване или поддръжка и при замаяна на части или преобразуване на машината за друга функция.
- **ПРЕДУПРЕЖДЕНИЕ:** Не използвайте машината, ако захранващият кабел или важни части на машината са повредени, например уреди за безопасност, маркучи с високо налягане, пистолет за пръскане.
- **ПРЕДУПРЕЖДЕНИЕ:** Неадекватните удължителни кабели могат да бъдат опасни. Ако се използва удължителен кабел, той трябва да е подходящ за външна употреба, а връзката трябва да се държи суха и отдалечена от земята. Препоръчително е това да се осъществи чрез кабелна макара, която държи контакта поне 60 мм над земята.
- **ПРЕДУПРЕЖДЕНИЕ:** Винаги изключвайте основния ключ за изключване, когато оставяте машината незапазена.
- **ПРЕДУПРЕЖДЕНИЕ:** Този маркуч съдържа електрически връзки: не го използвайте за събиране на вода и не го потапяйте във вода за почистване.
- Електрическата връзка трябва да се извършва от квалифициран електротехник и да отговаря на IEC 60364-1. Препоръчително е захранването на тази машина да включва устройство за резидуален ток, което ще прекъсне захранването, ако токът на изтичане към земята превиши 30 mA за 30 ms или устройство, което ще докаже земния кръг.



## СИМВОЛ



Предупреждение



Прочетете ръководството за експлоатация



Двойна изолация



Машината не е подходяща за свързване към питейната водопроводна мрежа.



Предупреждение: Не насочвайте струята към хора, животни и електрически уреди.

Излезлите от употреба електрически продукти не бива да бъдат изхвърляни заедно с битовите отпадъци. Моля, използвайте рециклиращи съоръжения там, където има такива. Информация за рециклирането можете да получите от местните власти или от съответния търговец на дребно.



## ИНСТРУКЦИИ ЗА РАБОТА



**ЗАБЕЛЕЖКА:** Преди да използвате инструмента, прочетете книгчката с инструкциите внимателно.

### Внимание!

1. Никога не използвайте водоструйката, за да влечете вода, замърсена с разтворители (например, разредители за боя, бензин, масла и др.).
2. Мръсотията в подаваната вода ще повреди уреда. За да избегнете този риск, препоръчваме да проверите водния филтър (намиращ се вътре във входа за вода; за почистване вижте раздела за поддръжка).
3. Винаги предотвратявайте попадането на отпадъци в уреда, като използвате чист източник на вода и допълнителен филтър за вода, ако е необходимо.

### Водоснабдяване (само за студена вода)

1. Не влизайте в уреда с не-водни течности. За употреба само със студено водоподаване.
2. Маркучът за вода трябва да е с диаметър поне 1,27 см.
3. Дебитът на водоподаването не трябва да пада под 5,5 л/мин.

4. Дебитът може да се определи, като оставите водата да тече за една минута в празен контейнер.
5. Температурата на водоснабдяването не трябва да надвишава 40 °C.

## СГЛОБЯВАНЕ

### 1. СГЛОБЯВАНЕ НА ДРЪЖКАТА ЗА ПРЪСКАНЕ

Натиснете държача за пръскане върху машината. (Вижте Фигура. А)

### 2. МОНТАЖ НА ДЪРЖАЧА ЗА ЕЛЕКТРИЧЕСКИ КАБЕЛ

Натиснете държача за електрически кабел върху уреда. (Вижте Фиг. В)

### 3. МОНТАЖ НА КОЛЕЛАТА

Монтирайте колелата, като ги натиснете във втулката. (Вижте Фиг. С)

### 4. МОНТАЖ НА ВХОДНИЯ КОНЕКТОР ЗА ВОДА

Прикрепете входния конектор за вода към входа на уреда. (Вижте Фиг. D1, D2)

### 5. МОНТАЖ НА РЕГУЛИРУЕМИЯ РАЗПРЪСКВАТЕЛ И ДЪРЖАЧА НА ЛОСТА

Поставете регулируемия разпръсквател и държача на лоста върху уреда и закрепете винтовете. (Вижте Фиг. Е)

### 6. МОНТАЖ НА ДРЪЖКАТА

Натиснете държката върху машината и закрепете винтовете. (Вижте Фиг. F1, F2)

### 7. СГЛОБЯВАНЕ НА МАРКУЧА С ВИСОКО НАЛЯГАНЕ

- 1) Уверете се, че превключвателят Вкл./Изкл. е в положение ИЗКЛ. (Вижте Фиг. G1)
- 2) Вкарайте маркуча с високо налягане в пистолета за пръскане. (Вижте Фиг. G2)
- 3) Вкарайте лоста в пистолета за пръскане и го завъртете на 1/4 оборот. След това вкарайте регулируемия разпръсквател в лоста и го завъртете на 1/4 оборот, докато се появи правоъгълната заключваща щипка. (Вижте Фиг. G3, G4)
- 4) Свържете маркуча с високо налягане към изхода за високо налягане. (Вижте Фиг. G5)

**ЗАБЕЛЕЖКА:** Когато сваляте маркуча с високо налягане от пистолета за пръскане, първо натиснете бутона, след това извадете маркуча от пистолета за пръскане.

### 8. СВЪРЗВАНЕ НА ВОДОСНАБДЯВАНЕТО

Прикрепете градинския маркуч към водопроводната система и включете водата. (Вижте Фиг. Н)

# ОПЕРАЦИЯ

## 1. ПРЕВКЛЮЧАТЕЛ ЗА БЕЗОПАСНОСТ ВКЛ./ИЗКЛ.

- 1) Свържете щепсела към правилно заземен контакт.
- 2) Преди да включите уреда, натиснете спусъка на пистолета, за да изпуснете въздуха от помпата и маркуча.
- 3) Вашият превключвател е в заключено положение, за да предотврати случайно стартиране. (Вижте Фиг. I1)
- 4) Натиснете бутона за заключване и след това спуснете спусъка на пистолета и освободете бутона за заключване. Вашият превключвател вече е включен. (Вижте Фиг. I2)
- 5) За да изключите, просто освободете спусъка на пистолета.
- 6) Стартирайте водоструйната машина, като включите превключвателя Вкл./Изкл. в положение Вкл. Натиснете спусъка. Напомняне: двигателят не работи непрекъснато, само когато е натиснат спусъкът. (Вижте Фиг. I3, I4)

## ПОДГОТОВКА НА ПОВЪРХНОСТТА

Преди всяка почистваща задача е важно да се държи работната област далеч от обектите, които могат да създадат опасност. Премахнете обектите, по които може да се спънете, от работната област, като играчки или мебели за външно ползване. Уверете се, че всички врати и прозорци са затворени здраво.

## 2. ИЗПОЛЗВАНЕ НА АКСЕСОАРИТЕ

### 2.1 РЕГУЛИРУЕМА ДЮЗА

Регулируемата дюза ви позволява да използвате различни видове пръски от вентилаторен пръск до моливен пръск. Когато използвате водоструйката за почистване на дървени платформи, обшивки, превозни средства и др., винаги започвайте с вентилаторния пръск и започвайте да пръскате от минимално разстояние от 36 инча, за да избегнете повреда на повърхността на материала, който почиствате.



**ВНИМАНИЕ:** Не регулирайте дюзата, докато пистолетът е натиснат.

### 2.2 РЕГУЛИРАНЕ НА ПРЪСКАНЕТО

Нормалната настройка на регулируемата дюза може да се регулира от вентилаторен пръск до пръскане с дюза. Пръскането се регулира от пръскане с дюза до вентилаторен пръск, като завъртите дюзата, както е показано в J1, J2.

**ЗАБЕЛЕЖКА:** Налягането на струята върху повърхността, която почиствате, се увеличава, когато приближите дюзата по-близо до повърхността.



**ВНИМАНИЕ:** Регулирането на струята е много агресивно. Не регулирайте докато пръскате. Препоръчваме за повечето приложения за почистване да се използва ъгъл на струята от 20 градуса, за да се избегне повреда на почистваната повърхност.

# СЪХРАНЕНИЕ

Машината трябва да се съхранява в помещение без замръзване!

Помпата, маркучът и аксесоарите винаги трябва да бъдат изпразнени от вода преди съхранение по следния начин:

1. Спрете машината и отстранете водния маркуч и аксесоар.
2. Повторно стартирайте машината и активирайте пистолета. Нека машината работи, докато през пистолета не изтече всичката вода.
3. Спрете машината, изключете щепсела и навийте маркуча и кабела.
4. Поставете дръжката на пистолета, дюзите и другите аксесоари в държатите на машината. Ако машината по невнимание е замръзнала, ще бъде необходимо да се провери за щети.

## НИКОГА НЕ СТАРТИРАЙТЕ ЗАМРЪЗНАЛА МАШИНА.

**Повреди от замръзване не се покриват от гаранцията!**

### Навиване на електрическия кабел и високо налягане на маркуча.

За да избегнете инциденти, електрическият кабел и високо налягане на маркуча винаги трябва внимателно да се навиват около дръжката. Навийте кабела на подходящия кука.

### Съхранение на дюзи

Дюзите могат да се съхраняват на водоструйката.

# ПОДДРЪЖКА



**ВНИМАНИЕ!** Винаги изключвайте електрическия щепсел от контакта преди поддръжка или почистване. За да осигурите дълъг и безпроблемен работен живот, моля, спазвайте следните съвети:

- Измийте водния маркуч, високонатискания маркуч, пръскането на лената и аксесоарите преди монтажа.
- Почистете конекторите от прах и пясък.
- Изплакнете приспособлението за пръскане на препарата след употреба.
- Почистете дюзите.

Всички ремонти винаги трябва да се извършват в оторизиран сервиз с оригинални резервни части. Ако захранващият кабел е повреден, той трябва да бъде заменен от производителя, неговият сервизен агент или подобно квалифицирано лице, за да се избегне опасност.

### - Почистване на филтъра за вход на вода

Почиствайте филтъра за вход на вода редовно веднъж месечно или по-често според употребата. Внимателно развийте филтъра със отверка и го почистете. Проверете дали е неповреден, преди да го монтирате отново.

Филтърът за вход на вода винаги трябва да бъде поставен вътре в тръбата за вход на вода, за да се филтрират пясъкът, варовика и другите замърсявания, тъй като те ще повредят вентилите на помпата.



**ВНИМАНИЕ:** Неспазването на този монтаж ще анулира гаранцията.

#### - Почистване на дюзата

Засядане в дюзата причинява прекалено високо налягане на помпата. Затова почистването е необходимо незабавно.

1. Спрете машината и изключете дюзата.
2. Почистете дюзата.

**ВАЖНО:** Почистващият инструмент трябва да се използва само когато дюзата е откачена! (Вижте Фигура. К)

3. Изплакнете дюзата отзад с вода.

#### - Почистване на вентилационните отвори на машината

Машината трябва да бъде поддържана чиста, за да позволи свободното преминаване на въздуха през вентилационните отвори на машината.

#### - Смазване на връзките

За да се осигури лесно свързване и за да не се изсушават уплътненията от о-пръстени. Връзките трябва да се смазват редовно.

## ОПАЗВАНЕ НА ОКОЛНАТА СРЕДА



Излезлите от употреба електрически продукти не бива да бъдат изхвърляни заедно с битовите отпадъци. Моля,

използвайте рециклиращи съоръжения там, където има такива. Информация за рециклирането можете да получите от местните власти или от съответния търговец на дребно.

## ДЕКЛАРАЦИЯ ЗА СЪОТВЕТСТВИЕ

Ние,  
Positec Germany GmbH  
Postfach 680194, 50704 Cologne, Germany

Декларираме, че продуктът  
Описание **Високо налягане препарат**  
Модел обозначение **Тип WS8672 (86-дизайн на машината, представляващ високо налягане пръскачка)**  
Функция **За домашно почистване, което изисква налягане**

Отговаря на следните Директиви:  
**2006/42/ЕС, 2014/30/ЕУ, 2011/65/ЕУ & (ЕУ)2015/863, 2000/14/ЕС amended by 2005/88/ЕС**

2000/14/ЕО, изменен с 2005/88/ЕО:

- Процедура за оценка на съответствието съгласно **Annex V 87,4 dB**

- Измерено ниво на звукова мощност

- Декларирано гарантирано ниво на звукова мощност **92 dB**

както и на стандартите:

**EN 60335-1, EN 60335-2-79, EN 62233, EN ISO 3744, EN IEC 55014-1, EN IEC 55014-2, EN IEC 61000-3-2, EN 61000-3-3, EN IEC 63000**

Лице, оторизирано да изготвя техническото досие,  
Име **Marcel Filz**  
Адрес **Positec Germany GmbH  
Postfach 680194, 50704 Cologne,  
Germany**



2024/01/11

Allen Ding

Заместник-главен инженер, отговарящ за тестването и сертифицирането  
Positec Technology (China) Co., Ltd  
18, Dongwang Road, Suzhou Industrial Park, Jiangsu 215123, P. R. China

## ОТСТРАНЯВАНЕ НА НЕИЗПРАВНОСТИ

Отстранете машината от електрически източник преди да направите каквото и да било ремонти. За да избегнете ненужни разочарования, следва да проверите следното, преди да се свържете с услугата за обслужване:

Симптом	Причина	Препоръчителни действия
<b>Машината не се стартира</b>	Машината не е включена Дефектен контакт Изгаряне на предпазителя Дефектен удължителен кабел	Включете машината. Опитайте в друг контакт. Сменете предпазителя. Изключете другите машини. Опитайте без удължителния кабел.
<b>Променливо налягане</b>	Помпата втяга въздух Вентилите са замърсени, износени или зашопани Уплътненията на помпата са износени	Проверете дали маркучите и връзките са запечатани. Почистете и заменете или се консултирайте с местния дистрибутор. Почистете и заменете или се консултирайте с местния дистрибутор.
<b>Машината спира</b>	Изгаряне на предпазителя Неправилно напрежение в главния електрически вод Активиран термичен сензор Дюзата е частично блокирана	Сменете предпазителя. Изключете другите машини. Проверете дали мрежовото напрежение отговаря на спецификацията на моделната табела. Оставете машината да се охлади за 5 минути.  Почистете дюзата.
<b>Изгаряне на предпазителя</b>	Предпазителят е твърде малък	Преминете към инсталация с по-голям ток от консумацията на машината. Може да опитате без удължителния кабел.
<b>Машината пулсира</b>	Въздух във входящия маркуч  Недостатъчно водоподаване от главния водопровод  Дюзата е частично блокирана Филтърът за вода е блокиран Маркучът е прегънат	Оставете помпата да работи с отворен спусък, докато налягането се възстанови. Проверете дали водоподаването отговаря на изискванията на спецификациите. Внимание! Избягвайте използването на дълги, тънки маркучи (мин. 1,27 см).  Почистете дюзата.  Почистете филтъра.  Изправете маркуча.
<b>Машината често започва и спира сама по себе си</b>	Помпата/пръскалката изтича от центъра.	Свържете се с вашия най-близък сервиз.
<b>Машината стартира, но няма вода да излезе</b>	Помпата/маркучите или аксесоарите са замръзнали Липсва водоснабдяване Филтърът за вода е блокиран Дюзата е блокирана	Извакайте помпата/маркучите или аксесоарите да се размразят. Свържете входящата вода. Почистете филтъра. Почистете дюзата.







**WESCO**