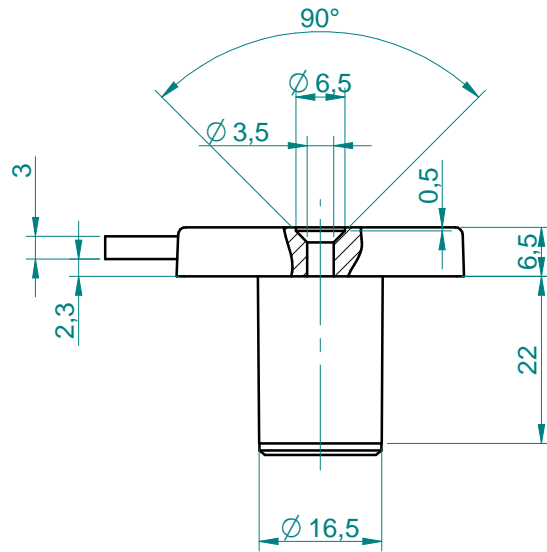
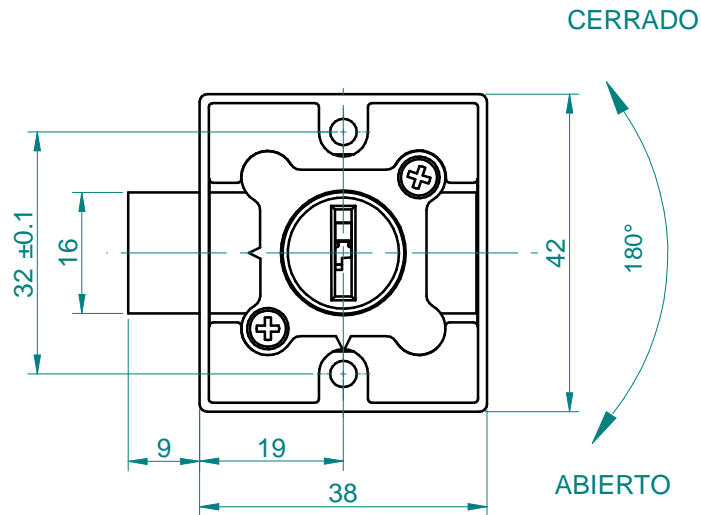


COTAS SIN TOLERANCIA/DIMS WITHOUT TOLERANCE (mm)		
Más de/Bigger than	hasta/up to	Tolerancia/Tolerance
0,5	6	±0,1
6	30	±0,2
30	120	±0,3
120	315	±0,5
315	1000	±0,8



Date	Name	Date	Name	Index	Modification
Drawn 03/10/2005	Jon				
Checked					

This document and its content is property of Ojmar and for strictly confidential use. Not to be copied or distributed to third parties without the permission of Ojmar.			Material		
Part name CERRADURA 858 DERECHA Ø16,5 L-22			Reference 285816.222	Edition 01	

ojmar