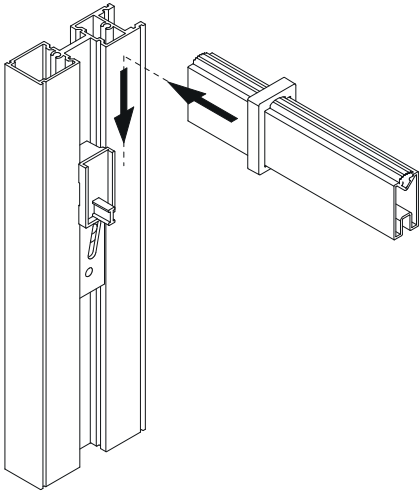
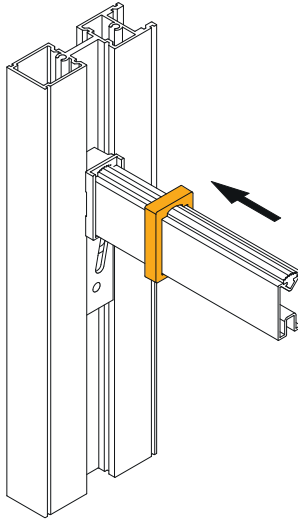


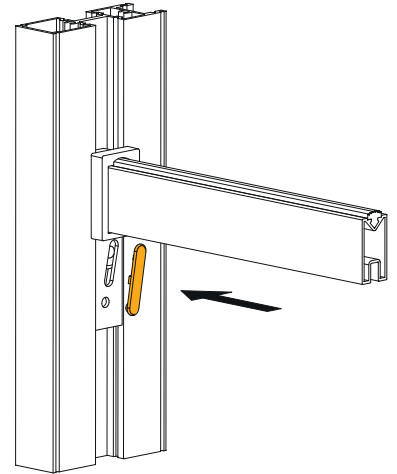
A.6



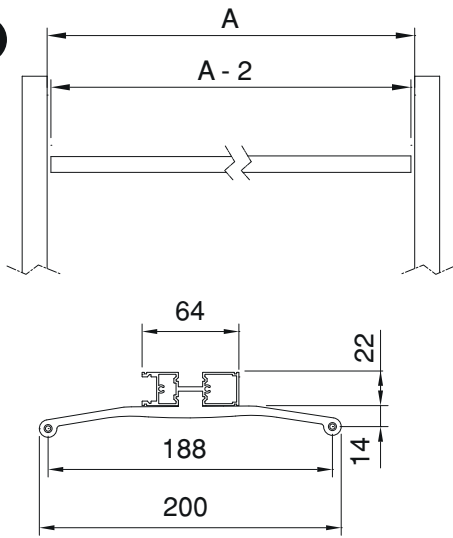
A.7



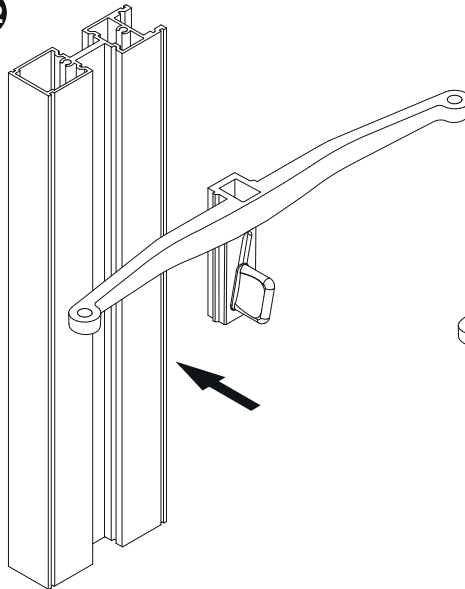
A.8



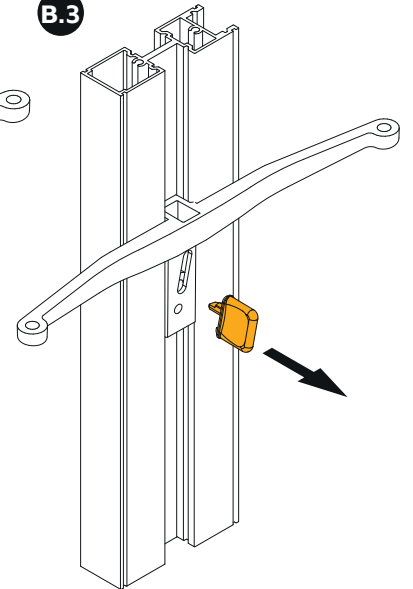
B.1



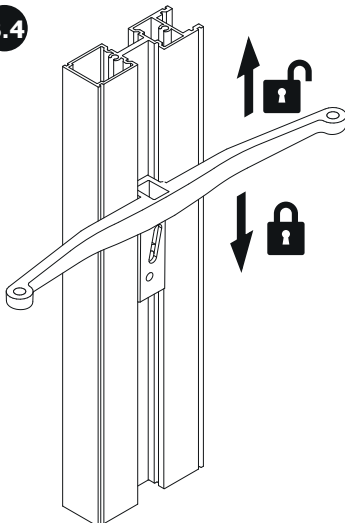
B.2



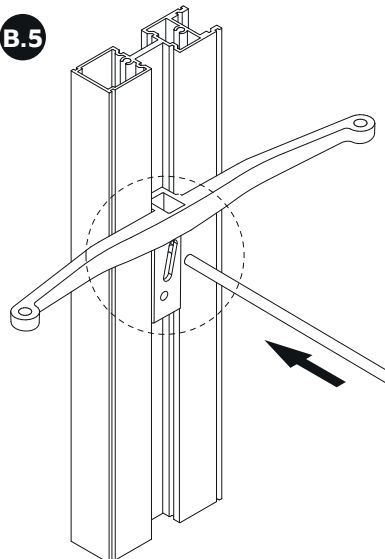
B.3



B.4

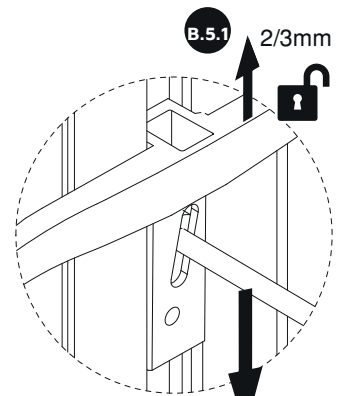


B.5



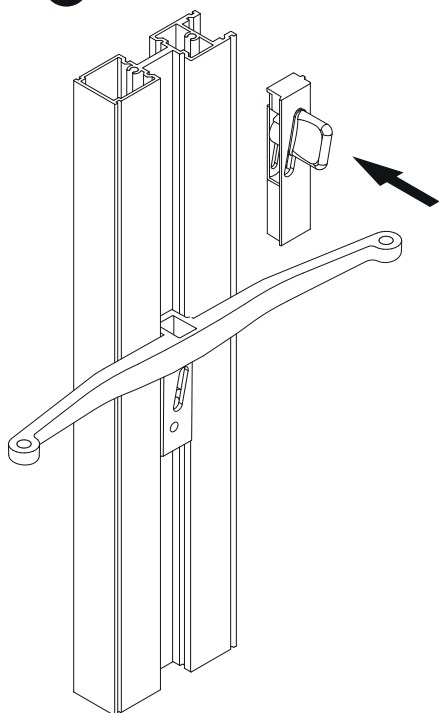
B.5.1

2/3mm

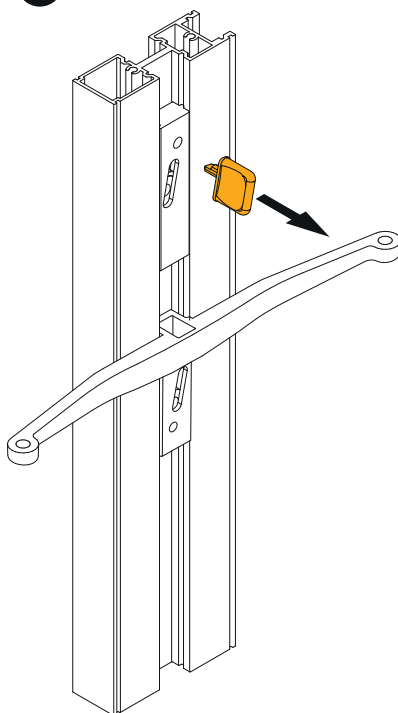


B.5.2

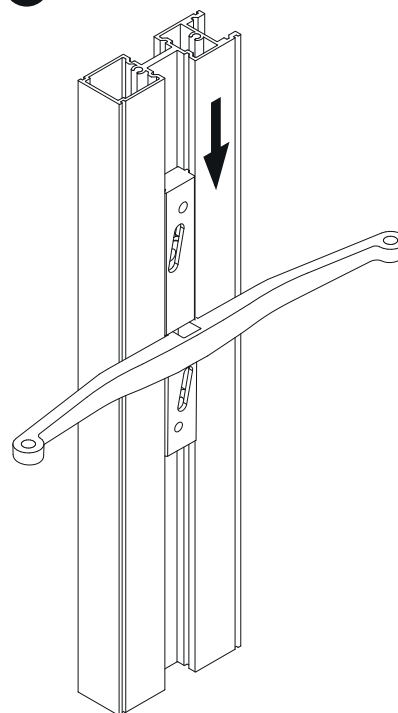
B.6



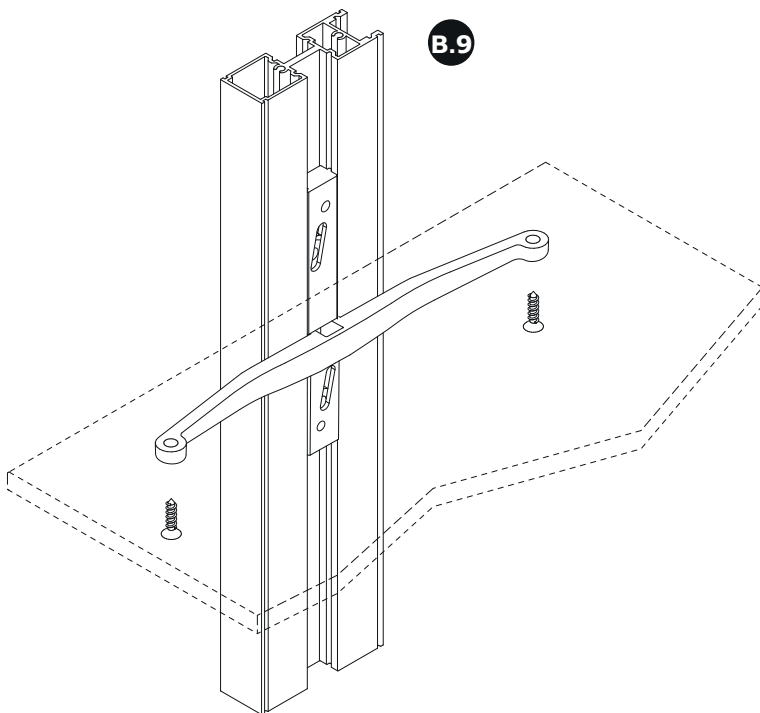
B.7



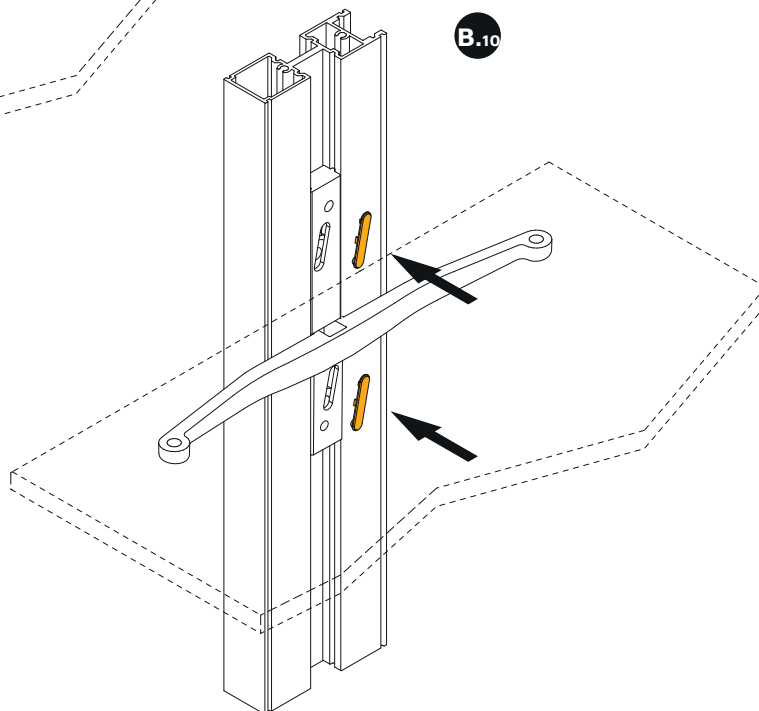
B.8



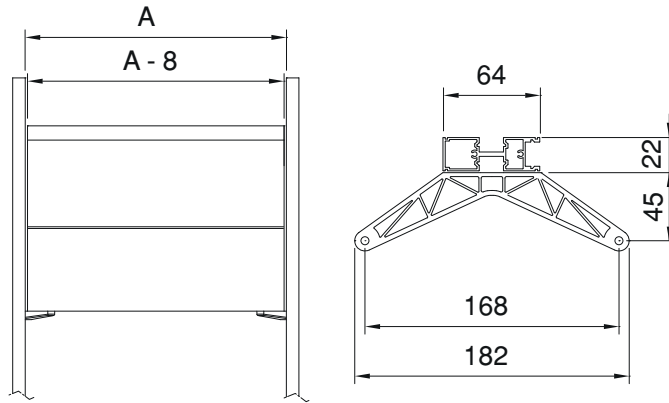
B.9



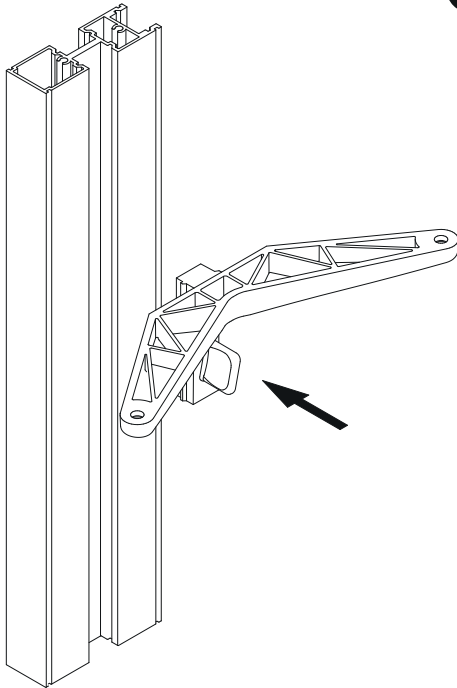
B.10



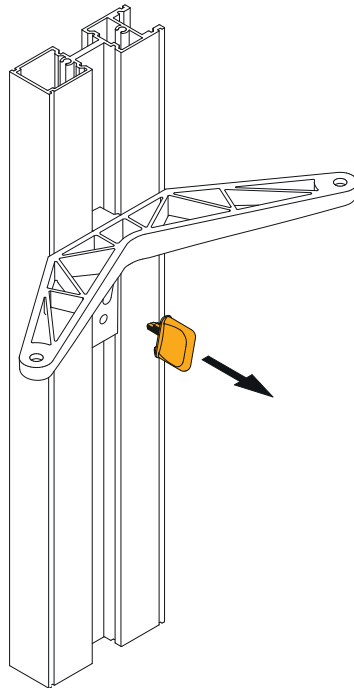
C.1



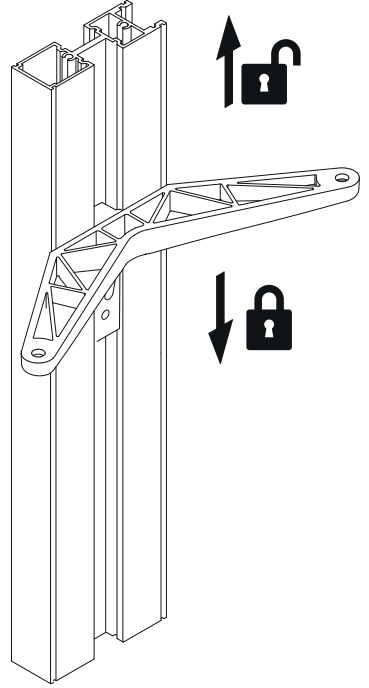
C.2



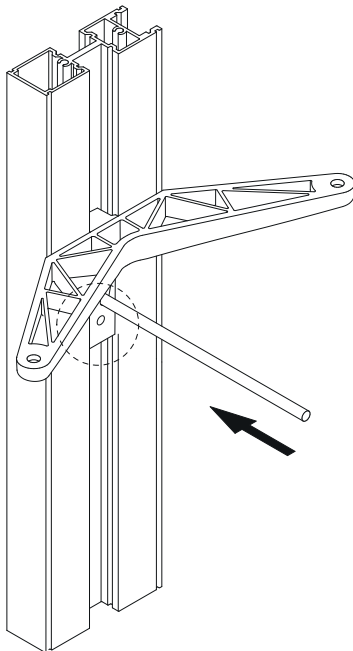
C.3



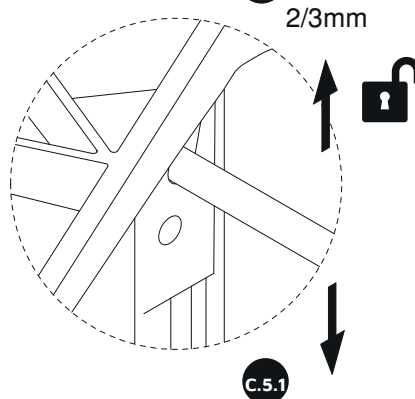
C.4



C.5



C.5.1



C.5.1

