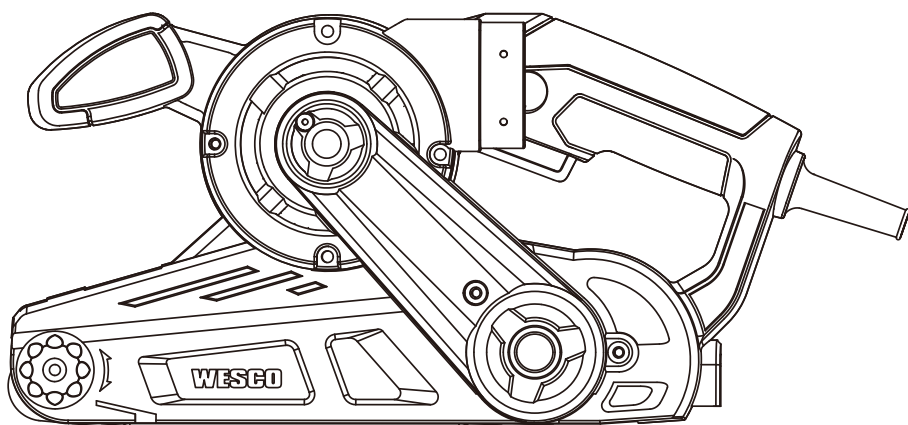


WESCO

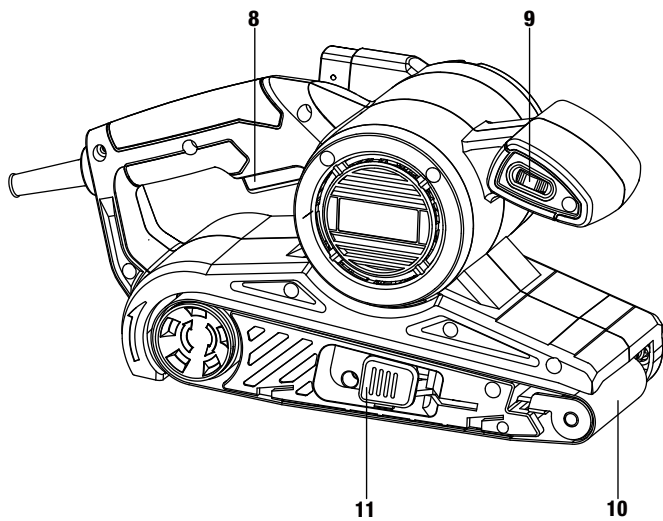
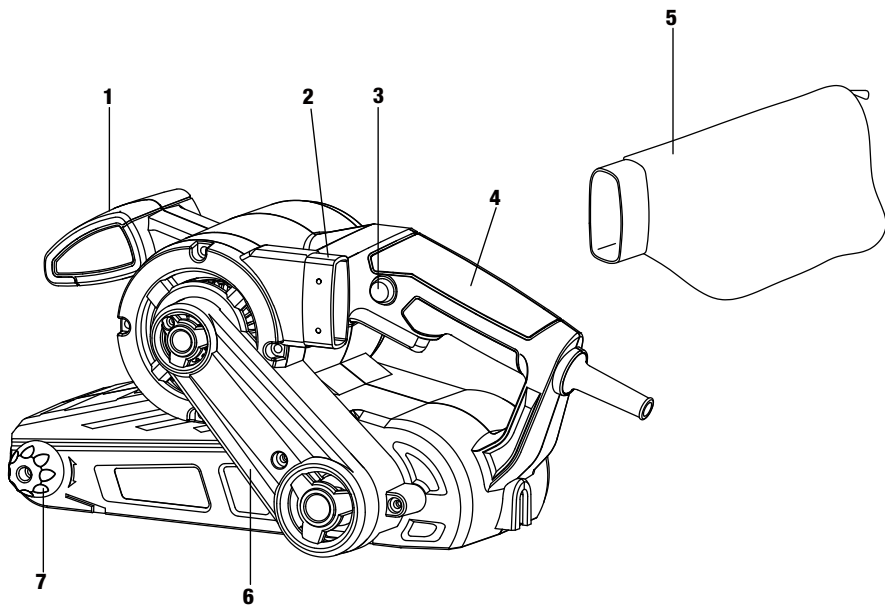


WS4366 (PBS900G)

2 YEAR
Warranty

• Belt sander	EN	P06
• Bandschleifer	DE	P12
• Ponceuse à bande	FR	P18
• Levigatrice a nastro	IT	P24
• Lijadora de banda	ES	P30
• Лентова шлайфмашина	BG	P36

Original instructions	EN
Originalbetriebsanleitung	DE
Notice originale	FR
Istruzioni originali	IT
Manual original	ES
Оригинални инструкции	BG



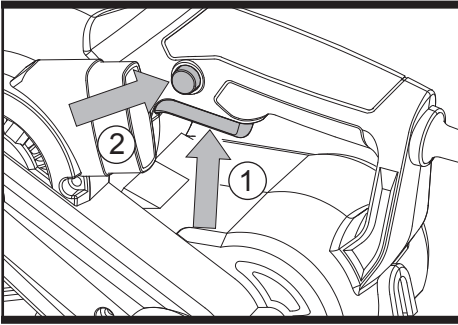


Fig.A

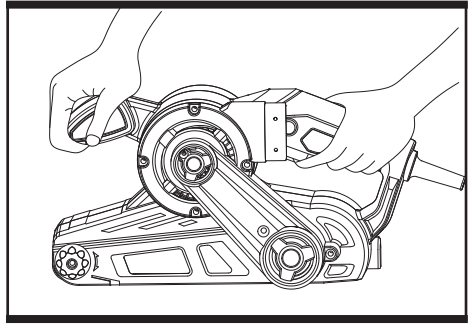


Fig.B

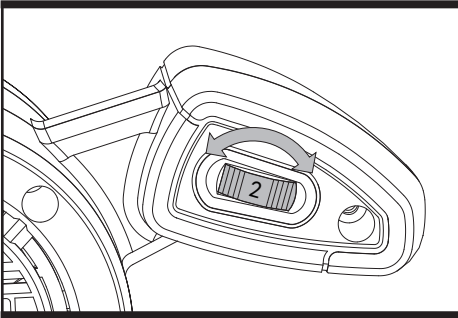


Fig.C

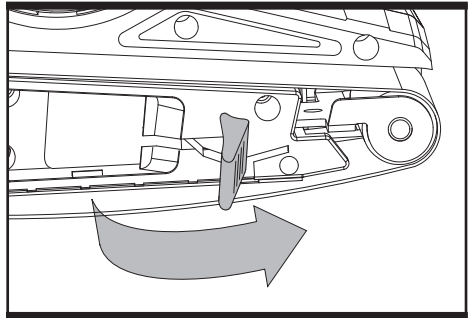


Fig.D1

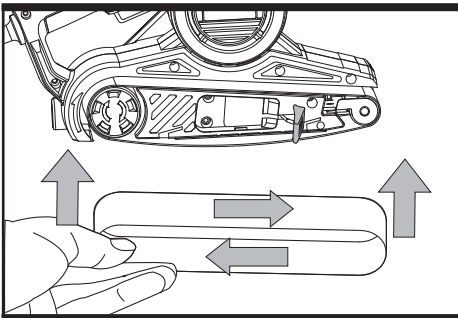


Fig.D2

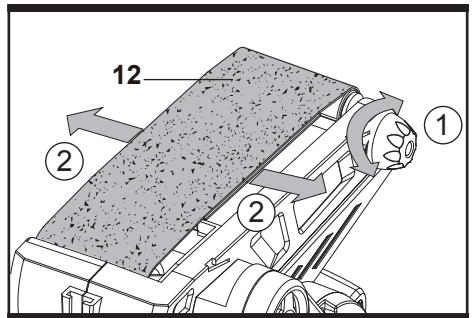


Fig.E

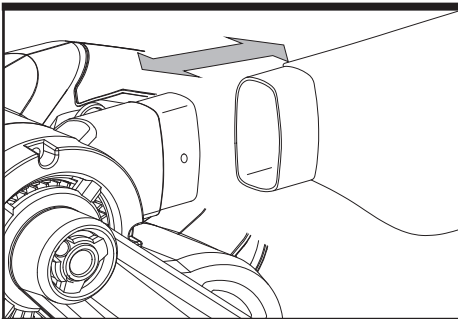


Fig.F

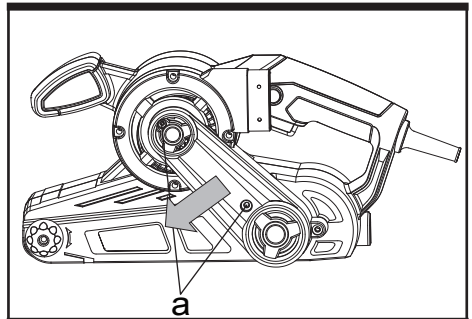


Fig.G

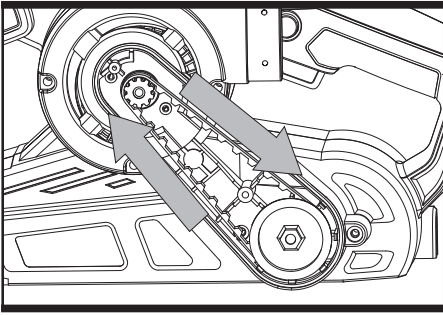


Fig.H

COMPONENT LIST

1. Auxiliary Handle
2. Dust Extraction
3. OutletLock- On Button
4. Hand Grip Areas
5. Dust bag
6. Belt Cover
7. Belt Centering Control Knob
8. On/Off Switch
9. Variable Speed Control Dial
10. Sanding Belt
11. Sanding Belt Lever
12. Sanding Plate (See Fig. E)

TECHNICAL DATA

Type **WS4366 (43-designation of machinery, representative of belt sander)**

Voltage	230-240V~50Hz
Power input	920W
No load speed	150-270 /min
Belt size	76*533 mm
Sanding size	76*135 mm
Protection class	□/II
Machine Weight	2.95kg

NOISE INFORMATION

A weighted sound pressure

A weighted sound power

K_{PA} & K_{WA}

Wear ear protection.

L_{PA} : 82 dB(A)

L_{WA} : 93 dB(A)

3.0 dB(A)

VIBRATION INFORMATION

Vibration total values (triax vector sum) determined according to EN 62841:

Vibration information	$a_n = 5.08 \text{ m/s}^2$
	Uncertainty $K = 1.5 \text{ m/s}^2$

The declared vibration total value and the declared noise emission value have been measured in accordance with a standard test method and may be used for comparing one tool with another.

The declared vibration total value and the declared noise emission value may also be used in a preliminary assessment of exposure.



WARNING: The vibration and noise emissions during actual use of the power tool can differ from the declared value depending on the ways in which the tool is used especially what kind of workpiece is processed dependant on the following examples and other variations on how the tool is used:

How the tool is used and the materials being cut or drilled.

The tool being in good condition and well maintained.

The use of the correct accessory for the tool and ensuring it is sharp and in good condition.

The tightness of the grip on the handles and if any anti vibration and noise accessories are used.

And the tool is being used as intended by its design and these instructions.

This tool may cause hand-arm vibration syndrome if its use is not adequately managed.



WARNING: To be accurate, an estimation of exposure level in the actual conditions of use should also take account of all parts of the operating cycle such as the times when the tool is switched off and when it is running idle but not actually doing the job. This may significantly reduce the exposure level over the total working period.

Helping to minimise your vibration and noise exposure risk.

Always use sharp chisels, drills and blades.

Maintain this tool in accordance with these instructions and keep well lubricated (where appropriate).

If the tool is to be used regularly then invest in anti vibration and noise accessories.

Plan your work schedule to spread any high vibration tool use across a number of days.

ACCESSORIES

Dust collection bag	1
80 grit sanding belt	1
Dust extraction adapter	1

We recommend that you purchase your accessories from the same store that sold you the tool. Refer to the accessory packaging for further details. Store personnel can assist you and offer advice.

PRODUCT SAFETY

GENERAL POWER TOOL SAFETY WARNINGS



WARNING! Read all safety warnings, instructions, illustrations and specifications provided with this power tool. Failure to follow all instructions listed below may result in electric shock, fire and/or serious injury.

Save all warnings and instructions for future reference.

The term "power tool" in the warnings refers to your mains-operated (corded) power tool or battery-operated (cordless) power tool.

1) WORK AREA SAFETY

- a) **Keep work area clean and well lit.** Cluttered or dark areas invite accidents.
- b) **Do not operate power tools in explosive atmospheres, such as in the presence of flammable liquids, gases or dust.** Power tools create sparks which may ignite the dust or fumes.
- c) **Keep children and bystanders away while operating a power tool.** Distractions can cause you to lose control.

2) ELECTRICAL SAFETY

- a) **Power tool plugs must match the outlet. Never modify the plug in any way. Do not use any adapter plugs with earthed (grounded) power tools.** Unmodified plugs and matching outlets will reduce risk of electric shock.
- b) **Avoid body contact with earthed or grounded surfaces, such as pipes, radiators, ranges and refrigerators.** There is an increased risk of electric shock if your body is earthed or grounded.
- c) **Do not expose power tools to rain or wet conditions.** Water entering a power tool will increase the risk of electric shock.
- d) **Do not abuse the cord. Never use the cord for carrying, pulling or unplugging the power tool. Keep cord away from heat, oil, sharp edges or moving parts. Damaged or entangled cords increase the risk of electric shock.**
- e) **When operating a power tool outdoors, use an extension cord suitable for outdoor use.** Use of a cord suitable for outdoor use reduces the risk of electric shock.
- f) **If operating a power tool in a damp location is unavoidable, use a residual current device (RCD) protected supply.** Use of an RCD reduces the risk of electric shock.

3) PERSONAL SAFETY

- a) **Stay alert, watch what you are doing and use common sense when operating a power tool. Do not use a power tool while you are tired or under the influence of drugs, alcohol or medication.** A moment of inattention while operating power tools may result in serious personal injury.
- b) **Use personal protective equipment. Always wear eye protection.** Protective equipment such as dust mask, non-skid safety shoes, hard hat, or hearing protection used for appropriate conditions will reduce personal injuries.
- c) **Prevent unintentional starting.** Ensure the switch is in the off-position before connecting to power source and/or battery pack, picking up or carrying the tool. Carrying power tools with your finger on the switch or energising power tools that have the switch on invites accidents.
- d) **Remove any adjusting key or wrench before turning the power tool on.** A wrench or a key left attached to a rotating

part of the power tool may result in personal injury.

- e) **Do not overreach. Keep proper footing and balance at all times.** This enables better control of the power tool in unexpected situations.
- f) **Dress properly. Do not wear loose clothing or jewellery. Keep your hair and clothing away from moving parts.** Loose clothes, jewellery or long hair can be caught in moving parts.
- g) **If devices are provided for the connection of dust extraction and collection facilities, ensure these are connected and properly used.** Use of dust collection can reduce dust-related hazards.
- h) **Do not let familiarity gained from frequent use of tools allow you to become complacent and ignore tool safety principles.** A careless action can cause severe injury within a fraction of a second.

4) POWER TOOL USE AND CARE

- a) **Do not force the power tool. Use the correct power tool for your application.** The correct power tool will do the job better and safer at the rate for which it was designed.
 - b) **Do not use the power tool if the switch does not turn it on and off.** Any power tool that cannot be controlled with the switch is dangerous and must be repaired.
 - c) **Disconnect the plug from the power source and/or remove the battery pack, if detachable, from the power tool before making any adjustments, changing accessories, or storing power tools.** Such preventive safety measures reduce the risk of starting the power tool accidentally.
 - d) **Store idle power tools out of the reach of children and do not allow persons unfamiliar with the power tool or these instructions to operate the power tool.** Power tools are dangerous in the hands of untrained users.
 - e) **Maintain power tools and accessories. Check for misalignment or binding of moving parts, breakage of parts and any other condition that may affect the power tool's operation. If damaged, have the power tool repaired before use.** Many accidents are caused by poorly maintained power tools.
 - f) **Keep cutting tools sharp and clean.** Properly maintained cutting tools with sharp cutting edges are less likely to bind and are easier to control.
 - g) **Use the power tool, accessories and tool bits etc. in accordance with these instructions, taking into account the working conditions and the work to be performed.** Use of the power tool for operations different from those intended could result in a hazardous situation.
 - h) **Keep handles and grasping surfaces dry, clean and free from oil and grease.** Slippery handles and grasping surfaces do not allow for safe handling and control of the tool in unexpected situations.
- 5) **SERVICE**
 - a) **Have your power tool serviced by a qualified repair person using only identical replacement parts.** This will ensure that the safety of the power tool is maintained.

SAFETY WARNINGS FOR BELT SANDER

Hold the power tool by insulated gripping surfaces, because the sanding surface may contact its own cord. Cutting a "live" wire may make exposed metal parts of the power tool "live" and could give the operator an electric shock.

SYMBOLS



To reduce the risk of injury, user must read instruction manual



Wear eye protection



Wear ear protection



Wear dust mask



Warning



Double insulation



Wear protective gloves



Waste electrical products must not be disposed of with household waste. Please recycle where facilities exist. Check with your local authorities or retailer for recycling advice.

OPERATING INSTRUCTIONS



NOTE: Before using the tool, read the instruction book carefully.

INTENDED USE:

The machine is intended for dry sanding—with high removal capacity of wood, plastic, metal, filler as well as varnished surfaces.

1. ON/OFF SWITCH

Depress to start and release to stop your tool.

2. SWITCH LOCK-ON BUTTON (SEE FIG. A)

Depress on/off switch then depress lock-on button. Your tool is now locked on for continuous use. To switch off your tool just depress and release the on/off switch.

3. HAND GRIP AREAS (SEE FIG. B)

Always hold your belt sander firmly with both hands when operating.

4. VARIABLE SPEED CONTROL DIAL (SEE FIG. C)

Adjust the variable speed control dial to increase or decrease the speed according to the material and sanding belt specification to be used (also possible during no load operation). See the table below for general guidance on speed selection. Avoid prolonged use at very low speed as this may damage your sander's motor.

Material	Speed selection	Belt Grit
Solid Wood	5-6	80
Veneer	2-4	150
Chipboard	1-5	60/80
Plastics	2-5	100
Steel	5-6	80
Paint Removal	6	40/60
Balsa Wood	1-3	100
Acrylic	1-2	100

5. CHANGING A SANDING BELT (SEE FIG. D1, D2)



WARNING! Remove the main plug from the socket before changing sanding belt.

Pull the sanding belt lever to release the belt tension. Remove and fit a new sanding belt over both rollers. Ensure the direction of rotation arrows on the sanding belt and on the sander are the same. Close the lever to tension the sanding belt.

6. BELT CENTERING CONTROL (SEE FIG. E)



WARNING! Wear eye protection before carrying out a belt centering adjustment.

Turn the machine upside down, hold it firmly with one hand, start the motor and release the switch immediately after observing tracking of sanding belt. If abrasive belt runs outward, turn belt centering control knob counter-clockwise and clockwise if belt runs inward. Adjust the belt until the outer edge of the belt is even with the outer edge of the base-plate. Belt life will be greatly increased

by keeping the tracking adjustment set properly.

7. DUST BAG (SEE FIG. F)

You must use the dust bag provided to collect the dust produced during sanding. The dust bag's plastic bracket slides down onto the dust extraction outlet on the belt sander. When the dust collection bag is full, remove and empty by opening the zipper on the dust bag.

8. DRIVE BELT REPLACEMENT (SEE FIG. G, H)



WARNING! Remove the main plug from the socket before carrying out a drive belt replacement.

Remove the two screws (a) and the belt cover as shown. (See Fig. G)

Carefully cut the drive belt if not already broken and remove from your belt sander. Fit your new drive belt around the large pulley. Then install onto the small pulley by rotating clockwise and pushing the drive belt shown around the small pulley at the same time. The drive belt will be a tight fit. (See Fig. H)

Fit the belt cover and two screws (a).

TROUBLESHOOTING

1. If your sander will not operate, check the power at the mains plug.
2. If the sander does not abrade surface, checking the sanding belt. If the sanding belt has been worn, replace the new sanding belt and try again. The sanding belt must be kept in a dry place.
3. If a fault cannot be rectified, return the sander to an authorized dealer for repair.

WORKING HINTS FOR YOUR SANDER

If your power tool becomes too hot, especially when used at low speed, set the speed to maximum and run with no load for 2-3 minutes to cool the motor. Avoid prolonged usage at very low speed. Always use a sanding belt suited to the material you wish to sand. Always ensure the work-piece is firmly held or clamped to prevent movement. Support large panels close to the sanding area. Any movement of the material may affect the quality of the sanding finish. Start your sander before sanding and turn off only after stopping sanding. For best results sand wood in the direction of the grain. Do not start sanding without the sanding belt fitted. Empty the dust bag every 5 minutes or sooner to ensure efficient dust collection.

MAINTENANCE

Remove the plug from the socket before carrying out any adjustment, servicing or maintenance.

Your power tool requires no additional lubrication or maintenance. There are no user serviceable parts in your power tool. Never use water or chemical cleaners to clean your power tool. Wipe clean with a dry cloth. Always store your power tool in a dry place. Keep the motor ventilation slots clean. Keep all working controls free of dust.

If the supply cord is damaged, it must be replaced by the manufacturer, its service agent or similarly qualified persons in order to avoid a hazard.

ENVIRONMENTAL PROTECTION



Waste electrical products should not be disposed of with household waste. Please recycle where facilities exist.

Check with your Local Authority or retailer for recycling advice

PLUG REPLACEMENT (ONLY FOR REWIRABLE PLUG OF UK & IRELAND)

If you need to replace the fitted plug then follow the instructions below.

IMPORTANT

The wires in the mains lead are colored in accordance with the following code:

Blue = Neutral

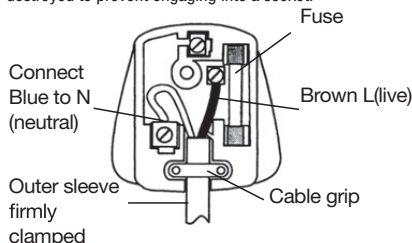
Brown = Live

As the colors of the wires in the mains lead of this appliance may not correspond with the colored markings identifying the terminals in your plug, proceed as follows. The wire which is colored blue must be connected to the terminal which is marked with N. The wire which is colored brown must be connected to the terminal which is marked with L.

WARNING!

Never connect live or neutral wires to the earth terminal of the plug. Only fit an approved BS1363/A plug and the correct rated current fuse which is used in the plug.

Note: If a moulded plug is fitted and has to be removed take great care in disposing of the plug and severed cable, it must be destroyed to prevent engaging into a socket.



DECLARATION OF CONFORMITY

We,
Positec Germany GmbH
Postfach 32 02 16, 50796 Cologne, Germany

Declare that the product
Description **Belt Sander**
Type Designation **WS4366 (43-designation of machinery,
representative of belt sander)**
Function **Remove surface material using an abrasive medium**

Complies with the following Directives,
2006/42/EC
2011/65/EU & (EU)2015/863
2014/30/EU

Standards conform to
EN 62841-1
EN 62841-2-4
EN 55014-1
EN 55014-2
EN IEC 61000-3-2
EN 61000-3-3

The person authorized to compile the technical file,
Name Marcel Filz
Address Positec Germany GmbH
Postfach 32 02 16, 50796 Cologne, Germany



2023/2/11
Allen Ding
Deputy Chief Engineer, Testing & Certification
Positec Technology (China) Co., Ltd
18, Dongwang Road, Suzhou Industrial
Park, Jiangsu 215123, P. R. China

DECLARATION OF CONFORMITY(UK)

We,
Positec Power Tools (Europe) Ltd,
PO Box 6242, Newbury, RG14 9LT, UK

On behalf of Positec declare that the product
Description **Belt Sander**
Type designation **WS4366 (43-designation of machinery,
representative of belt sander)**
Function **Remove surface material using an abrasive medium**

Complies with the following regulations:
Supply of Machinery (Safety) Regulations 2008
Electromagnetic Compatibility Regulations 2016
**The Restriction of the Use of Certain Hazardous Substances in
Electrical and Electronic Equipment Regulations**

Standards conform to
BS EN 62841-1
BS EN 62841-2-4
BS EN 55014-1
BS EN 55014-2
BS EN IEC 61000-3-2
BS EN 61000-3-3

The person authorized to compile the technical file,
Name Jim Kirkwood
Address Positec Power Tools (Europe) Ltd,
PO Box 6242, Newbury, RG14 9LT, UK



2023/2/11
Allen Ding
Deputy Chief Engineer, Testing & Certification
Positec Technology (China) Co., Ltd
18, Dongwang Road, Suzhou Industrial
Park, Jiangsu 215123, P. R. China

KOMPONENTEN

1. Hilfsgriff
2. Staub-extraktionsausgang
3. Feststellschalter
4. Griffbereiche
5. Staubbeutel
6. Riemenabdeckung
7. Bandzentrierknopf
8. Ein-/Ausschalter
9. Geschwindigkeitseinstellrad
10. Schleifband
11. Schleifbandhebel
12. Schleifplatte (Siehe Abb. F)

TECHNISCHE DATEN

Typ **WS4366 (43-Bezeichnung der Maschine, repräsentiert die Bandschleifer)**

Nennspannung	230-240V~50Hz
Nennleistung	920W
Leerlaufnendrehzahl	150-270 /min
Gürtelgröße	76*533 mm
Schleifgröße	76*135 mm
Schutzklasse	□/II
Gewicht	2.95kg

INFORMATIONEN ÜBER LÄRM

Gewichteter Schalldruck
Gewichtete Schalleistung
 $K_{PA} & K_{WA}$

L_{PA} : 82 dB(A)
 L_{WA} : 93 dB(A)
3.0 dB(A)

Tragen Sie einen Gehörschutz.

INFORMATIONEN ÜBER VIBRATIONEN

Vibrations Gesamt Messwertermittlung gemäß EN 62841:

Vibrationsemissionswert	$a_n = 5.08 \text{ m/s}^2$
	Unsicherheit $K = 1.5 \text{ m/s}^2$

Der angegebene Vibrationsgesamtwert kann und der angegebene Vibrationsemissionswert wurden gemäß Standardprüfverfahren gemessen und können zum Vergleichen eines Werkzeug mit einem anderen verwendet werden.

Der angegebene Vibrationsgesamtwert und der angegebene Vibrationsemissionswert können auch für eine anfängliche Beurteilung der Beeinträchtigung verwendet werden.



WARNUNG: Die Vibrations- und Lärmemissionen bei der eigentlichen Nutzung des Elektrowerkzeugs können vom angegebenen Wert abweichen, je nachdem, wie das Werkzeug verwendet wird und insbesondere abhängig davon, welcher Werkstücktyp verarbeitet wird, und abhängig von folgenden Beispielen und verschiedenen Einsatzmöglichkeiten des Werkzeugs:

Wie das Werkzeug verwendet wird und Materialien geschnitten oder angebohrt werden.

Das Werkzeug ist in gutem Zustand und gut gepflegt.

Verwendung des richtigen Zubehörs für das Werkzeug und Gewährleistung seiner Schärfe und seines guten Zustands.

Die Festigkeit des Griffs auf den Handgriffen und, falls Antivibrations- und Lärmschutzzubehör verwendet wird.

Und ob das verwendete Werkzeug dem Design und diesen Anweisungen entsprechend verwendet wird.

Wird dieses Werkzeug nicht angemessen gehandhabt, kann es ein Hand-Arm-Vibrationssyndrom erzeugen.



WARNUNG: Um genau zu sein, sollte eine Abschätzung des Belastungsgrades aller Arbeitsabschnitte während tatsächlicher Verwendung berücksichtigt werden, z.B. die Zeiten, wenn das Werkzeug ausgeschaltet ist, und wenn es sich im Leerlauf befindet und eigentlich nicht eingesetzt wird. Auf diese Weise kann der Belastungsgrad während der gesamten Arbeitszeit wesentlich gemindert werden.

Hilft dabei, das Risiko der Vibrations- und Lärmbelastung zu minimieren.

Verwenden Sie **IMMER** scharfe Meissel, Bohrer und Sägeblätter.

Pflegen Sie dieses Werkzeug diesen Anweisungen entsprechend und achten Sie auf eine gute Einfettung (wo erforderlich).

Falls das Werkzeug regelmäßig verwendet werden soll, investieren Sie in Antivibrations- und Lärmschutzzubehör.

Machen Sie einen Arbeitsplan, um die Verwendung von hochvibrierenden Werkzeugen auf mehrere Tage zu verteilen.

ZUBEHÖRTEILE

Staubbeutel	1
80er Korn Schleifband	1
Staubsaugeradapter	1

Wir empfehlen Ihnen, sämtliche Zubehörteile beim selben Fachhändler zu beziehen, bei dem Sie auch Ihr Elektrowerkzeug gekauft haben. Weitere Informationen finden Sie auf der Verpackung der Zubehörteile. Auch Ihr Fachhändler berät Sie gerne.

PRODUKTSICHERHEIT

ALLGEMEINE SICHERHEITSHINWEISE FÜR ELEKTROWERKZEUGE



WARNUNG! Machen Sie sich mit allen Sicherheitswarnungen, Anweisungen, Abbildungen und Spezifikationen vertraut, die mit diesem Elektrowerkzeug geliefert werden. Die Nichtbeachtung der unten aufgeführten Anweisungen kann in elektrischen Schlägen, Feuer und/oder schweren Verletzungen resultieren.

Bewahren Sie alle Sicherheitshinweise und Anweisungen für die Zukunft auf.

Der in den Sicherheitshinweisen verwendete Begriff „Elektrowerkzeug“ bezieht sich auf akkubetriebene Elektrowerkzeuge (ohne Netzkabel).

1. ARBEITSPLATZSICHERHEIT

- a) Halten Sie Ihren Arbeitsbereich sauber und gut beleuchtet. Unordnung oder unbeleuchtete Arbeitsbereiche können zu Unfällen führen.
- b) Arbeiten Sie mit dem Elektrowerkzeug nicht in explosionsgefährdeter Umgebung, in der sich brennbare Flüssigkeiten, Gase oder Stäube befinden. Elektrowerkzeuge erzeugen Funken, die den Staub oder die Dämpfe entzünden können.
- c) Halten Sie Kinder und andere Personen während der Benutzung des Elektrowerkzeugs fern. Bei Ablenkung können Sie die Kontrolle über das Gerät verlieren.

2. ELEKTRISCHE SICHERHEIT

- a) Der Anschlussstecker des Elektrowerkzeuges muss in die Steckdose passen. Der Stecker darf in keiner Weise verändert werden. Verwenden Sie keine Adapterstecker gemeinsam mit schutzgeerdeten Elektrowerkzeugen. Unveränderte Stecker und passende Steckdosen verringern das Risiko eines elektrischen Schlages.
- b) Vermeiden Sie Körperkontakt mit geerdeten Oberflächen fern von Rohren, Heizungen, Herden und Kühlschränken. Es besteht ein erhöhtes Risiko durch elektrischen Schlag, wenn Ihr Körper geerdet ist.
- c) Halten Sie Elektrowerkzeuge von Regen oder Nässe fern. Das Eindringen von Wasser in ein Elektrowerkzeug erhöht das Risiko eines elektrischen Schlages.
- d) Zweckentfremden Sie das Kabel nicht, um das Elektrowerkzeug zu tragen, aufzuhängen oder um den Stecker aus der Steckdose zu ziehen. Halten Sie das Kabel fern von Hitze, Öl, scharfen Kanten oder sich bewegenden Geräteteilen. Beschädigte oder verwickelte Kabel erhöhen das Risiko eines elektrischen Schlages.
- e) Wenn Sie mit einem Elektrowerkzeug im Freien arbeiten, verwenden Sie nur Verlängerungskabel, die auch für den Außenbereich geeignet sind. Die Anwendung eines für den Außenbereich geeigneten Verlängerungskabels verringert das Risiko eines elektrischen Schlages.
- f) Wenn der Betrieb des Elektrowerkzeuges in feuchter Umgebung nicht vermeidbar ist, verwenden Sie einen Fehlerstromschutzschalter. Der Einsatz eines Fehlerstromschutzschalters vermindert das Risiko eines elektrischen Schlages.

3. SICHERHEIT VON PERSONEN

- a) Seien Sie aufmerksam, Achten Sie darauf, was Sie tun, und gehen Sie mit Vernunft an die Arbeit mit einem Elektrowerkzeug. Benutzen Sie kein Elektrowerkzeug, wenn Sie müde sind oder unter dem Einfluss von Drogen, Alkohol oder Medikamenten stehen. Ein Moment der Unachtsamkeit beim Gebrauch des Elektrowerkzeuges kann zu ernsthaften Verletzungen führen.
- b) Tragen Sie persönliche Schutzausrüstung und immer eine Schutzbrille. Das Tragen persönlicher Schutzausrüstung, wie Staubmaske, rutschfeste Sicherheitsschuhe, Schutzhelm oder Gehörschutz, je nach Art und Einsatz des Elektrowerkzeuges, verringert das Risiko von Verletzungen.
- c) Vermeiden Sie eine unbeabsichtigte Inbetriebnahme. Vergewissern Sie sich, dass das Elektrowerkzeug ausgeschaltet ist, bevor Sie es an den Akku anschließen, es aufnehmen oder tragen. Wenn Sie beim Tragen des Elektrowerkzeuges den Finger am Schalter haben oder das Gerät eingeschaltet an die Stromversorgung anschließen, kann dies zu Unfällen führen.
- d) Entfernen Sie Einstellwerkzeuge oder Schraubenschlüssel, bevor Sie das Elektrowerkzeug einschalten. Ein Werkzeug oder Schlüssel, der sich in einem drehenden Geräteteil befindet, kann zu Verletzungen führen.
- e) Vermeiden Sie eine abnormale Körperhaltung. Sorgen Sie für einen sicheren Stand und halten Sie jederzeit das Gleichgewicht. Dadurch können Sie das Elektrowerkzeug in unerwarteten Situationen besser kontrollieren.
- f) Tragen Sie geeignete Kleidung. Tragen Sie keine weite Kleidung oder Schmuck. Halten Sie Haare und Kleidung fern von sich bewegenden Teilen. Lockere Kleidung, Schmuck oder lange Haare können von sich bewegenden Teilen erfasst werden.
- g) Wenn Staubabsaug- und -auffangeinrichtungen montiert werden können, vergewissern Sie sich, dass diese angeschlossen sind und richtig verwendet werden. Verwendung einer Staubabsaugung kann Gefährdungen durch Staub verringern.
- h) Vermeiden Sie, durch die häufige Nutzung des Werkzeugs in einen Trott zu verfallen und Prinzipien für die Werkzeugsicherheit zu ignorieren. Eine unachtsame Aktion kann im Bruchteil einer Sekunde zu schweren Verletzungen führen.

4. VERWENDUNG UND BEHANDLUNG DES ELEKTROWERKZEUGES

- a) Überlasten Sie das Gerät nicht. Verwenden Sie für Ihre Arbeit das dafür bestimmte Elektrowerkzeug. Mit dem passenden Elektrowerkzeug arbeiten Sie besser und sicherer im angegebenen Leistungsbereich.
- b) Benutzen Sie kein Elektrowerkzeug, dessen Schalter defekt ist. Ein Elektrowerkzeug, das sich nicht mehr ein- oder ausschalten lässt, ist gefährlich und muss repariert werden.
- c) Klemmen Sie den Stecker von der Stromversorgung ab und/oder entfernen Sie den Akku (falls abnehmbar) aus dem Elektrowerkzeug, bevor Sie Geräteeinstellungen vornehmen, Zubehörteile wechseln oder das Gerät weglegen. Diese Vorsichtsmaßnahme verhindert den unbeabsichtigten Start des Elektrowerkzeuges.
- d) Bewahren Sie unbenutzte Elektrowerkzeuge außerhalb der Reichweite von Kindern auf. Lassen Sie Personen das Gerät nicht benutzen, die mit diesem nicht vertraut sind oder diese Anweisungen nicht gelesen haben.

Elektrowerkzeuge sind gefährlich, wenn Sie von unerfahrenen Personen benutzt werden.

- e) **Warten Sie die Elektrowerkzeuge und Zubehör.** Kontrollieren Sie, ob bewegliche Teile einwandfrei funktionieren und nicht klemmen, ob Teile gebrochen oder so beschädigt sind, dass die Funktion des Elektrowerkzeuges beeinträchtigt ist. Lassen Sie beschädigte Teile vor dem Einsatz des Gerätes reparieren. Viele Unfälle haben ihre Ursache in schlecht gewarteten Elektrowerkzeugen.
- f) **Halten Sie Schneidwerkzeuge scharf und sauber.** Sorgfältig gepflegte Schneidwerkzeuge mit scharfen Schneidkanten verkleben sich weniger und sind leichter zu führen.
- g) **Verwenden Sie Elektrowerkzeug, Zubehör, Einsatzwerkzeuge usw. entsprechend diesen Anweisungen. Berücksichtigen Sie dabei die Arbeitsbedingungen und die auszuführende Tätigkeit.** Der Gebrauch von Elektrowerkzeugen für andere als die vorgesehenen Anwendungen kann zu gefährlichen Situationen führen.
- h) **Halten Sie die Griffe trocken, sauber und frei von Öl und Fett.** Rutschige Griffe und Oberflächen unterbinden die sichere Bedienbarkeit und Kontrolle über das Werkzeug in unerwarteten Situationen.
5. **SERVICE**
- a) **Lassen Sie Ihr Elektrowerkzeug nur von qualifiziertem Fachpersonal und nur mit Original-Ersatzteilen reparieren.** Damit wird sichergestellt, dass die Sicherheit des Gerätes erhalten bleibt.

SICHERHEITSHINWEISE FÜR BANDSCHLEIFER

Halten Sie das Elektrowerkzeug an den isolierten Griffen, da die Schleiffläche mit dem eigenen Netzkabel in Berührung kommen kann. Das Abschneiden eines „stromführenden“ Drahtes kann dazu führen, dass die freiliegenden Metallteile des Elektrowerkzeugs „stromführenden“ stehen und dem Bediener einen elektrischen Schlag erleidet.

SYMBOLE



Zur Reduzierung der Verletzungsgefahr bitte die Bedienungsanleitung durchlesen



Tragen Sie eine Schutzbrille



Tragen Sie einen Gehörschutz



Tragen Sie eine Staubmaske



Warnung



Schutzisolation



Tragen Sie Schutzhandschuhe



Elektroprodukte dürfen nicht mit dem normalen Haushaltsmüll entsorgt werden, sondern sollten nach Möglichkeit zu einer Recyclingstelle gebracht werden. Ihre zuständigen Behörden oder Ihr Fachhändler geben Ihnen hierzu gerne Auskunft.

HINWEISE ZUM BETRIEB



HINWEIS: Lesen Sie das Handbuch vor Inbetriebnahme des Werkzeuges sorgfältig durch.

BESTIMMUNGSGEMÄSSER GEBRAUCH:

Die Maschine dient zum Trockenschleifen von Holz, Kunststoffen, Füllstoffen und beschichteten Oberflächen.

1. EIN-/AUSSCHALTER

Diesen Schalter halten Sie zum Starten des Werkzeuges gedrückt, zum Stoppen lassen Sie ihn los.

2. FESTSTELLSCHALTER (SIEHE ABB. A)

Drücken Sie den Ein-/Ausschalter ein, drücken Sie dann den Feststellschalter. Ihr Werkzeug läuft nun im Dauerbetrieb. Zum Abschalten des Werkzeuges drücken Sie den Ein-/Ausschalter ein und lassen ihn wieder los.

3. GRIFFBEREICHE (SIEHE ABB. B)

Halten Sie Ihren Schleifer im Betrieb grundsätzlich fest mit beiden Händen.

4. GESCHWINDIGKEITSEINSTELLRAD (SIEHE ABB. C)

Mit dem Geschwindigkeitseinstellrad erhöhen oder vermindern Sie die Geschwindigkeit je nach Material und Schleifbandtyp (auch unbelastet möglich). In der nachstehenden Tabelle finden Sie einige Anhaltswerte zur Auswahl der richtigen Geschwindigkeit. Vermeiden Sie längeren Betrieb bei sehr geringer Geschwindigkeit; dies kann den Motor Ihres Schleifers beschädigen.

Material	Geschwindigkeitsauswahl	Körnung
Vollholz	5-6	80
Furnier	2-4	150
Spanplatten	1-5	60/80
Kunststoff	2-5	100
Stahl	5-6	80
Farbenentfernung	6	40/60
Balsaholz	1-3	100
Acryl	1-2	100

5. SCHLEIFBAND AUSTAUSCHEN (SIEHE ABB. D1, D2)



WARNUNG! Ziehen Sie den Netzstecker, ehe Sie das Schleifband austauschen.

Entspannen Sie das Band, indem Sie den Hebel ziehen. Nehmen Sie das alte Band heraus und legen Sie ein neues Band über beide Rollen. Vergewissern Sie sich, dass die Drehrichtungspfeile am Band und am Gerät übereinstimmen. Spannen Sie das Band mit dem Hebel.

6. BANDZENTRIERUNG (SIEHE ABB. E)



WARNUNG! Tragen Sie einen Augenschutz (Schutzbrille), bevor Sie das Band zentrieren.

Drehen Sie das Gerät auf den Kopf, halten Sie es mit einer Hand gut fest, starten Sie den Motor und schauen Sie sich den Bandlauf an. Lassen Sie den Schalter danach gleich wieder los. Falls das

Schleifband nach außen läuft, drehen Sie den Bandzentrierknopf gegen den Uhrzeigersinn. Läuft das Band nach innen, drehen Sie den Knopf im Uhrzeigersinn. Justieren Sie so lange, bis die Außenkante des Bandes entlang der Außenkante der Bodenplatte verläuft. Durch einen korrekt eingestellten Bandlauf können Sie die Lebensdauer des Schleifbandes beträchtlich verlängern.

7. STAUBBEUTEL (SIEHE ABB. F)

Den mitgelieferten Staubbeutel verwenden Sie, um den während des Schleifens anfallenden Staub aufzufangen. Verwenden Sie das Gerät nicht ohne Staubbeutel. Die Kunststoffschienen des Staubbeutels werden auf den Staubauslass des Bandschleifers aufgeschoben. Wenn der Staubbeutel voll ist, nehmen Sie ihn ab und leeren ihn aus, indem Sie den Reißverschluss an Staubbeutel öffnen.

8. ANTRIEBSRIEMEN AUSTAUSCHEN (SIEHE ABB. G, H)



WARNUNG! Ziehen Sie den Netzstecker, bevor Sie den Antriebsriemen tauschen.

Drehen Sie die beiden Schrauben heraus und nehmen Sie die Riemenabdeckung wie abgebildet ab. (Siehe Abb. G) Carefully cut the drive belt if not already broken and remove from your belt sander. Fit your new drive belt around the large pulley. Then install onto the small pulley by rotating clockwise and pushing the drive belt shown around the small pulley at the same time. The drive belt will be a tight fit. (Siehe Abb. H) Setzen Sie die Abdeckung wieder auf, drehen Sie die beiden Schrauben wieder ein (a).

FEHLERBEHEBUNG

- Wenn Ihr Schleifer nicht funktioniert, überprüfen Sie bitte die Stromversorgung des Netzsteckers.
- Wenn der Schleifer die Oberfläche nicht zerkratzt, überprüfen Sie das Schleifband. Wenn das Schleifband abgenutzt, ersetzen Sie es durch neues Papier und versuchen Sie es erneut. Das Schleifband muss an einem trockenen Ort aufbewahrt werden.
- Wenn der Fehler nicht behoben werden kann, senden Sie die Schleifmaschine zur Reparatur an einen autorisierten Händler.

TIPPS ZUR ARBEIT MIT IHREM BANDSCHLEIFER

Falls sich Ihr Elektrowerkzeug zu stark erhitzen sollte (dies kommt besonders bei geringen Geschwindigkeiten vor), stellen Sie die maximale Geschwindigkeit ein und lassen das Gerät zwei bis drei Minuten ohne Belastung arbeiten. Dadurch kühlt sich der Motor ab. Vermeiden Sie längere Einsätze bei geringen Geschwindigkeiten. Verwenden Sie grundsätzlich ein für das jeweilige Werkstück geeignetes Schleifband. Achten Sie immer darauf, dass das Werkstück absolut fest gehalten oder eingeklemmt ist, damit es sich nicht bewegen kann. Stützen Sie längere Werkstücke nahe der Schleifstelle ab. Jede Bewegung des Werkstücks kann sich negativ auf die Qualität der geschliffenen Oberfläche auswirken. Starten Sie Ihren Schleifer, bevor Sie ihn an das Werkstück ansetzen. Heben Sie das Gerät vor dem Ausschalten ab. Beste Ergebnisse erzielen Sie, wenn Sie Holz in Faserrichtung schleifen. Starten Sie das Gerät nicht, wenn kein Schleifband eingespannt ist. Leeren Sie den Staubbeutel spätestens alle fünf Minuten, damit der Staub problemlos gesammelt werden kann.

WARTUNG

Ziehen Sie grundsätzlich den Netzstecker, bevor Sie Einstell-, Reparatur- oder Wartungstätigkeiten ausführen.

Ihr Werkzeug benötigt keine zusätzliche Schmierung oder Wartung. Es enthält keine Teile, die Sie warten müssen. Reinigen Sie Ihr Werkzeug niemals mit Wasser oder chemischen Lösungsmitteln. Wischen Sie es mit einem trockenen Tuch sauber. Lagern Sie Ihr Werkzeug immer an einem trockenen Platz. Sorgen Sie dafür, dass bei staubigen Arbeiten die Lüftungsöffnungen frei sind. Falls es erforderlich sein sollte, den Staub zu entfernen, trennen Sie zuerst das Elektrowerkzeug vom Stromversorgungsnetz.

Wenn ein Ersatz von Stecker oder Anschlussleitung erforderlich ist, dann ist dies von unserer Servicestelle oder einer Elektrofachwerkstatt durchzuführen, um Sicherheitsgefährdungen zu vermeiden. Lassen Sie Reparaturen nur durch unsere Servicestelle oder durch eine Fachwerkstatt mit Originalersatzteilen durchführen.

UMWELTSCHUTZ



Elektroprodukte dürfen nicht mit dem normalen Haushaltsmüll entsorgt werden, sondern sollten nach Möglichkeit zu einer Recyclingstelle gebracht werden. Ihre zuständigen Behörden oder Ihr Fachhändler geben Ihnen hierzu gerne Auskunft.

KONFORMITÄTSERKLÄRUNG

Wir,
Positec Germany GmbH
Postfach 32 02 16, 50796 Cologne, Germany

Erklären hiermit, dass unser Produkt
Beschreibung **Bandschleifer**
Typ **WS4366 (43-Bezeichnung der Maschine, repräsentiert die Bandschleifer)**
Funktionen **Entfernen von Oberflächenmaterial mithilfe eines Schleifmittels**

Den Bestimmungen der folgenden Richtlinien entspricht,
2006/42/EC
2011/65/EU & (EU)2015/863
2014/30/EU

Werte nach
EN 62841-1
EN 62841-2-4
EN 55014-1
EN 55014-2
EN IEC 61000-3-2
EN 61000-3-3

Zur Kompilierung der technischen Datei ermächtigte Person,

Name Marcel Filz
Anschrift Positec Germany GmbH
Postfach 32 02 16, 50796 Cologne, Germany



2023/2/11
Allen Ding
Stellvertretender Cheffingenieur,
Prüfung und Zertifizierung
Positec Technology (China) Co., Ltd
18, Dongwang Road, Suzhou Industrial
Park, Jiangsu 215123, P. R. China

LISTE DES COMPOSANTS

1. Poignée Auxiliaire
2. Sortie D'extraction De Poussière
3. Interrupteur Avec Dispositif De Verrouillage
4. Zone De Prise
5. Sac A Poussiere
6. Couvre-courroie
7. Bouton De Commande De Centrage De La Courroie
8. Courroie
9. Interrupteur De Marche/Arret
10. Cadran A Vitesse Variable
11. Levier De La Ponceuse A Courroie
12. Bande abrasive (Voir Fig. F)

CARACTÉRISTIQUES TECHNIQUES

Modèle **WS4366 (43-désignations des pièces, illustration de la Ponceuse à Bande)**

Tension nominale	230-240V~50Hz
Puissance nominale	920W
Vitesse sans chargement	150-270 /min
Taille de bande	76*533 mm
Taille de ponçage	76*135 mm
Classe de protection	□/II
Poids de la machine	2.95kg

INFORMATIONS RELATIVES AU BRUIT

Niveau de pression acoustique

L_{PA} : 82 dB(A)

Niveau de puissance acoustique

L_{WA} : 93 dB(A)

K_{PA} & K_{WA}

3.0 dB(A)

Porter une protection pour les oreilles.

INFORMATIONS RELATIVES AUX VIBRATIONS

Valeurs totales de vibration (somme du vecteur triaxial) déterminées selon la norme EN 62841:

Valeur d'émission de vibrations	$a_n = 5.08 \text{ m/s}^2$
	Uncertainty K = 1.5 m/s ²

La valeur totale de vibration déclarée et la valeur d'émission de bruit déclarée ont été mesurées conformément à la méthode d'essai standard et peuvent être utilisées pour comparer un outil à un autre.

La valeur totale de vibration déclarée et la valeur d'émission de bruit déclarée peuvent également être utilisées lors d'une évaluation préliminaire de l'exposition.



AVERTISSEMENT: les vibrations et les émissions de bruit au cours de l'utilisation réelle de l'outil électrique peuvent varier de la valeur déclarée en fonction du mode d'utilisation de l'outil, en particulier du type de pièce traité selon les exemples suivants et d'autres variations concernant le mode d'utilisation de l'outil:

Comment l'outil est utilisé et quels matériaux sont coupés ou percés.

L'outil est en bon état et bien entretenu.

L'utilisation du bon accessoire pour l'outil et l'assurance qu'il est affûté et en bon état.

La force avec laquelle vous serrez les poignées et l'utilisation éventuelle d'un quelconque accessoire anti-bruit et anti-vibration.

Et l'outil est utilisé comme prévu dans sa conception et dans les présentes instructions.

Cet outil peut causer un syndrome de vibration du bras et de la main s'il n'est pas correctement géré.



AVERTISSEMENT: Pour être précise, une évaluation du niveau d'exposition en conditions réelles d'utilisation doit également tenir compte de toutes les parties du cycle d'utilisation telles que les moments où l'outil est éteint, et ceux où il fonctionne au ralenti mais ne réalise pas réellement de tâche. Ceci peut réduire de façon significative le niveau d'exposition et la période de fonctionnement totale.

Facteurs contribuant à minimiser votre risque d'exposition aux vibrations et au bruit.

Utilisez TOUJOURS des ciseaux, des forets et des lames affûtés.

Entretenez cet outil en accord avec les présentes instructions et maintenez-le lubrifié (si approprié).

Si l'outil doit être fréquemment utilisé, investissez dans des accessoires anti-bruit et anti-vibration.

Planifiez votre travail pour étaler toute utilisation d'outil à fortes vibrations sur plusieurs jours.

ACCESSOIRES

Sac à poussière	1
Plaque abrasive grain 80	1
Adaptateur pour extraction de poussière	1

Nous recommandons d'acheter tous les accessoires dans le magasin d'acquisition de l'outil. Pour plus d'informations, se référer à l'emballage des accessoires. Le personnel du magasin est également là pour vous conseiller.

SÉCURITÉ DU PRODUIT

AVERTISSEMENTS DE SÉCURITÉ GÉNÉRAUX POUR L'OUTIL



AVERTISSEMENT! Lire l'ensemble des mises en garde, instructions, illustrations et spécifications fourni avec cet outil électrique. Ne pas suivre toutes les instructions énumérées ci-dessous peut conduire à une électrocution, un incendie et / ou des blessures graves.

Conservé tous les avertissements et toutes les instructions pour pouvoir s'y reporter ultérieurement.

Le terme «outil» dans les avertissements fait référence à votre outil électrique alimenté par le secteur (avec cordon d'alimentation) ou votre outil fonctionnant sur batterie (sans cordon d'alimentation).

1. SÉCURITÉ DE LA ZONE DE TRAVAIL

- Conservé la zone de travail propre et bien éclairée. Les zones en désordre ou sombres sont propices aux accidents.
- Ne pas faire fonctionner les outils électriques en atmosphère explosive, par exemple en présence de liquides inflammables, de gaz ou de poussières. Les outils électriques produisent des étincelles qui peuvent enflammer les poussières ou les fumées.
- Maintenir les enfants et les personnes présentes à l'écart pendant l'utilisation de l'outil. Les distractions peuvent vous faire perdre le contrôle de l'outil.

2. SÉCURITÉ ÉLECTRIQUE

- Il faut que les fiches de l'outil électrique soient adaptées au socle. Ne jamais modifier la fiche de quelque façon que ce soit. Ne pas utiliser d'adaptateurs avec des outils à branchement de terre. Des fiches non modifiées et des socles adaptés réduiront le risque de choc électrique.
- Éviter tout contact du corps avec des surfaces reliées à la terre telles que les tuyaux, les radiateurs, les cuisinières et les réfrigérateurs. Il existe un risque accru de choc électrique si votre corps est relié à la terre.
- Ne pas exposer les outils à la pluie ou à des conditions humides. La pénétration d'eau à l'intérieur d'un outil augmentera le risque de choc électrique.
- Ne pas maltraiter le cordon. Ne jamais utiliser le cordon pour porter, tirer ou débrancher l'outil. Maintenir le cordon à l'écart de la chaleur, du lubrifiant, des arêtes ou des parties en mouvement. Des cordons endommagés ou emmêlés augmentent le risque de choc électrique.
- Lorsqu'on utilise un outil à l'extérieur, utiliser un prolongateur adapté à l'utilisation extérieure. L'utilisation d'un cordon adapté à l'utilisation extérieure réduit le risque de choc électrique.
- Si l'usage d'un outil dans un emplacement humide est inévitable, utiliser une alimentation protégée par un dispositif à courant différentiel résiduel (DDR). L'usage d'un DDR réduit le risque de choc électrique.

3. SÉCURITÉ DES PERSONNES

- Restez vigilant, regardez ce que vous êtes en train de faire et faites preuve de bon sens dans votre utilisation de l'outil. Ne pas utiliser un outil lorsque vous êtes fatigué ou sous l'emprise de drogues, d'alcool ou de médicaments. Un moment d'inattention en cours d'utilisation d'un outil peut entraîner des blessures graves des personnes.
- Utiliser un équipement de sécurité. Toujours porter une

protection pour les yeux. Les équipements de sécurité tels que les masques contre les poussières, les chaussures de sécurité antidérapantes, les casques ou les protections acoustiques utilisés pour les conditions appropriées réduiront les blessures de personnes.

- Éviter tout démarrage intempestif. S'assurer que l'interrupteur est en position arrêté avant de brancher l'outil au secteur et/ou au bloc de batteries, de le ramasser ou de le porter. Porter les outils en ayant le doigt sur l'interrupteur ou brancher des outils dont l'interrupteur est en position marche est source d'accidents.
 - Retirer toute clé de réglage avant de mettre l'outil en marche. Une clé laissée fixée sur une partie tournante de l'outil peut donner lieu à des blessures de personnes.
 - Ne pas se précipiter. Garder une position et un équilibre adaptés à tout moment. Cela permet un meilleur contrôle de l'outil dans des situations inattendues.
 - S'habiller de manière adaptée. Ne pas porter de vêtements amples ou de bijoux. Garder les cheveux et les vêtements à distance des parties en mouvement. Des vêtements amples, des bijoux ou les cheveux longs peuvent être pris dans des parties en mouvement.
 - Si des dispositifs sont fournis pour le raccordement d'équipements pour l'extraction et la récupération des poussières, s'assurer qu'ils sont connectés et correctement utilisés. Utiliser des collecteurs de poussière peut réduire les risques dus aux poussières.
 - Ne pas laisser les habitudes acquises au cours d'une utilisation fréquente des outils nous rendre complaisants et ignorer les principes de sécurité de l'outil. Une action imprudente peut entraîner des blessures graves en une fraction de seconde.
- ### 4. UTILISATION ET ENTRETIEN DE L'OUTIL
- Ne pas forcer l'outil. Utiliser l'outil adapté à votre application. L'outil adapté réalisera mieux le travail et de manière plus sûre au régime pour lequel il a été construit.
 - Ne pas utiliser l'outil si l'interrupteur ne permet pas de passer de l'état de marche à arrêté et vice versa. Tout outil qui ne peut pas être commandé par l'interrupteur est dangereux et il faut le réparer.
 - Débrancher la prise de la source d'alimentation et / ou retirer la batterie, si elle est amovible, de l'outil, avant tout réglage, changement d'accessoires ou avant de ranger l'outil. De telles mesures de sécurité préventives réduisent le risque de démarrage accidentel de l'outil.
 - Conservé les outils à l'arrêt hors de la portée des enfants et ne pas permettre à des personnes ne connaissant pas l'outil ou les présentes instructions de le faire fonctionner. Les outils sont dangereux entre les mains d'utilisateurs novices.
 - Entretien des outils et accessoires électriques. Vérifier qu'il n'y a pas de mauvais alignement ou de blocage des parties mobiles, des pièces cassées ou toute autre condition pouvant affecter le fonctionnement de l'outil. En cas de dommages, faire réparer l'outil avant de l'utiliser. De nombreux accidents sont dus à des outils mal entretenus.
 - Garder affûtés et propres les outils permettant de couper. Des outils destinés à couper correctement entretenus avec des pièces coupantes tranchantes sont moins susceptibles de bloquer et sont plus faciles à contrôler.
 - Utiliser l'outil, les accessoires et les lames etc., conformément à ces instructions, en tenant compte des conditions de travail et du travail à réaliser. L'utilisation de l'outil pour des opérations différentes de celles prévues

pourrait donner lieu à des situations dangereuses.

- h) **Maintenir les poignées et les surfaces de préhension sèches, propres et exemptes d'huile et de graisse.** Des poignées et surfaces de préhension glissantes ne permettent pas une manipulation et un contrôle de l'outil en toute sécurité en cas d'imprévus.
5. **MAINTENANCE ET ENTRETIEN**
- a) **Faire entretenir l'outil par un réparateur qualifié utilisant uniquement des pièces de rechange identiques.** Cela assurera le maintien de la sécurité de l'outil.

AVERTISSEMENTS DE SÉCURITÉ POUR LA PONCEUSE À BANDE

Tenez l'outil électrique par des surfaces de préhension isolées, car la surface de ponçage peut entrer en contact avec son propre cordon. Couper un fil «sous tension» risque d'avoir les parties métalliques exposées de l'outil électrique «sous tension» et provoquer un choc électrique pour l'opérateur.

SYMBOLES



Pour réduire le risque de blessure, l'utilisateur doit lire le mode d'emploi



Porter une protection pour les yeux



Porter une protection pour les oreilles



Porter un masque contre la poussière



Avertissement



Double isolation



Portez des gants de protection



Les déchets d'équipements électriques et électroniques ne doivent pas être déposés avec les ordures ménagères. Ils doivent être collectés pour être recyclés dans des centres spécialisés. Consultez les autorités locales ou votre revendeur pour obtenir des renseignements sur l'organisation de la collecte.



INSTRUCTIONS D'UTILISATION



REMARQUE: Avant d'utiliser cet outil, lire attentivement le mode d'emploi.

UTILISATION PRÉVUE:

L'outil électroportatif est conçu pour le ponçage sec très performant des surfaces en bois, en matières plastiques, en métal et en mastic ainsi que des surfaces vernies.

1. INTERRUPTEUR DE MARCHE/ARRÊT

Appuyer sur le bouton pour démarrer l'outil et relâcher pour l'arrêter.

2. INTERRUPTEUR AVEC DISPOSITIF DE VERROUILLAGE (VOIR FIG. A)

Appuyer sur l'interrupteur de marche/arrêt puis sur l'interrupteur de sûreté, relâcher d'abord l'interrupteur de marche/arrêt et l'interrupteur de sûreté ensuite. L'interrupteur est maintenant verrouillé pour une utilisation continue. Pour arrêter l'outil, appuyer et relâcher l'interrupteur de marche/arrêt.

3. ZONES DE PRISE (VOIR FIG. B)

Toujours tenir la ponceuse à courroie fermement avec les deux mains lors du fonctionnement.

4. CADRAN A VITESSE VARIABLE (VOIR FIG. C)

Régler le cadran à vitesse variable V pour augmenter ou diminuer la vitesse selon le matériau et les spécifications de la courroie abrasive à utiliser (également possible au cours d'une opération à vide). Voir le tableau ci-dessous pour une aide générale sur le choix de la vitesse. Éviter toute utilisation prolongée à faible vitesse car cela pourrait endommager le moteur de la ponceuse.

Matériau	Réglage de la vitesse	Grosseur de grain de la courroie
Bois solide	5-6	80
Placage	2-4	150
Aggloméré	1-5	60/80
Plastiques	2-5	100
Acier	5-6	80
Décapage de peinture	6	40/60
Balsa	1-3	100
Acrylique	1-2	100

5. CHANGER UNE COURROIE (VOIR FIG. D1, D2)



AVERTISSEMENT! Débrancher la prise avant de changer la courroie.

Soulever le levier (5) pour détendre la courroie. Retirer et fixer une nouvelle courroie sur les deux rouleaux (voir D). S'assurer que la direction des flèches de rotation sur la courroie et sur la ponceuse sont les mêmes. Fermer le levier pour tendre la courroie.

6. COMMANDE DE CENTRAGE DE LA COURROIE (VOIR FIG. E)



AVERTISSEMENT! Porter des lunettes de protection avant d'effectuer tout réglage de centrage de la courroie.

Mettre la machine à l'envers, la maintenir fermement d'une main, démarrer le moteur et relâcher l'interrupteur immédiatement après avoir observé le défilement de la courroie abrasive. Si la courroie abrasive s'aligne à l'extérieur, tourner le bouton de réglage de l'alignement dans le sens contraire des aiguilles d'une montre et dans le sens des aiguilles d'une montre si la courroie s'aligne à l'intérieur. Régler l'alignement de cette manière jusqu'à ce que le rebord de la courroie arrive à l'égalité du rebord extérieur de la semelle. La courroie aura une plus grande longévité si les réglages d'alignement sont effectués correctement.

7. SAC A POUSSIERE (VOIR FIG. F)

Vous devez utiliser le sac à poussière fourni pour ramasser la poussière produite pendant le ponçage. Les supports en plastique du sac à poussière coulissent sur l'orifice à poussière sur la ponceuse à courroie. Lorsque le sac à poussière est plein, le retirer et le vider en ouvrant la fermeture éclair du sac à poussière.

8. CHANGEMENT DE LA COURROIE DE TRANSMISSION (VOIR FIG. G, H)



AVERTISSEMENT! Débrancher la prise avant de changer la courroie de transmission.

Retirer les deux vis et le protecteur de courroie comme illustré. (Voir Fig. G)

Découper avec précaution la courroie de transmission si elle n'est pas déjà cassée et la retirer de la ponceuse. Placer la nouvelle courroie de transmission autour de la large poulie. Puis placer la sur la petite poulie en tournant dans le sens des aiguilles d'une montre et en poussant en même temps la courroie de transmission sur la petite poulie. La courroie de transmission est bien ajustée. (Voir Fig. H)

Fixer le protecteur de courroie et les deux vis(a).

DÉPANNAGE

1. Si votre ponceuse ne fonctionne pas, vérifiez l'alimentation à la prise principale.
2. Si la ponceuse n'abrase pas la surface, vérifiez le courroie de ponçage. Si le courroie abrasif a été usé, remplacez le nouveau papier et réessayez. Le courroie doit être conservé dans un endroit sec, s'il est laissé humide.
3. Si un défaut ne peut être corrigé, renvoyez la ponceuse à un revendeur agréé pour réparation.

CONSEILS D'UTILISATION POUR LA PONCEUSE A COURROIE

Si l'outil motorisé devient trop chaud, surtout lorsqu'il est utilisé à faible vitesse, régler la vitesse au maximum et le faire tourner à vide pendant 2-3 minutes afin de refroidir le moteur. Éviter toute utilisation prolongée à faible vitesse. Toujours utiliser une courroie adaptée au matériau à poncer. Toujours s'assurer que la pièce à travailler est fermement maintenue ou fixée afin de l'empêcher de bouger. Placer de grosses planches à côté de la zone de ponçage. Tout mouvement du matériau pourrait affecter la qualité du ponçage de finition. Démarrer la ponceuse avant de commencer à poncer et l'éteindre uniquement après avoir arrêté de poncer. Pour de meilleurs résultats, poncer le bois dans le sens du grain. Ne pas commencer à poncer si la courroie n'est pas fixée. Vider le sac à poussière toutes les 5 minutes ou avant afin d'assurer un ramassage efficace de la poussière.

ENTRETIEN

Retirer la fiche de la prise avant de procéder à un réglage, une réparation ou un entretien.

L'outil motorisé ne requiert pas de graissage ou d'entretien supplémentaire. Il n'y a pas de pièces réparables par l'utilisateur dans cet outil. Ne jamais utiliser d'eau ou de nettoyants chimiques pour nettoyer l'outil. Nettoyer avec un chiffon sec. Toujours conserver l'outil motorisé dans un endroit sec. Maintenir les fentes de ventilation du moteur propres. Empêcher que les commandes de marche soient couvertes de sciure.

Si l'alimentation est endommagée, elle doit être remplacée par le fabricant, son agent de maintenance ou une personne qualifiée de façon similaire, afin d'éviter tout danger.

PROTECTION DE L'ENVIRONNEMENT



Les déchets d'équipements électriques et électroniques ne doivent pas être déposés avec les ordures ménagères. Ils doivent être collectés pour être recyclés dans des centres spécialisés. Consultez les autorités locales ou votre revendeur pour obtenir des renseignements sur l'organisation de la collecte.

DÉCLARATION DE CONFORMITÉ

Nous,
Positec Germany GmbH
Postfach 32 02 16, 50796 Cologne, Germany

Déclarons que ce produit
Description **Ponceuse à Bande**
Modèle **WS4366 (43-désignations des pièces, illustration de la Ponceuse à Bande)**
Fonctions **Élimination de matériau de surface avec un abrasif**

Est conforme aux directives suivantes,
2006/42/EC
2011/65/EU & (EU)2015/863
2014/30/EU

Et conforme aux normes
EN 62841-1
EN 62841-2-4
EN 55014-1
EN 55014-2
EN IEC 61000-3-2
EN 61000-3-3

La personne autorisée à compiler le dossier technique,
Nom **Marcel Filz**
Adresse **Positec Germany GmbH**
Postfach 32 02 16, 50796 Cologne, Germany



2023/2/11
Allen Ding
Ingénieur en chef adjoint, Essais & Certification
Positec Technology (China) Co., Ltd
18, Dongwang Road, Suzhou Industrial
Park, Jiangsu 215123, P. R. China

ELENCO DEI COMPONENTI

1. Maniglia Ausiliaria
2. Uscita Di Polvere
3. Pulsante Di Blocco
4. Impugnature
5. Sacco Raccogli Polvere
6. Copertura del nastro
7. Manopola Di Controllo Centratatura Nastro
8. Interruttore Accensione / Spegnimento
9. Ghiera Di Controllo Velocità Variabile
10. Nastro Abrasivo
11. Leva Nastro Abrasivo
12. Piastra di levigatura (Vedi Fig. F)

DATI TECNICI

Codice **WS4366** (43-Designazione del macchinario rappresentativo del Levigatrice a nastro)

Tensione nominale	230-240V~50Hz
Potenza nominale	920W
Velocità a vuoto	150-270 /min
Dimensioni di nastro	76*533 mm
Dimensione di levigatura	76*135 mm
Classe di protezione	□/II
Peso della macchina	2.95kg

INFORMAZIONI SUL RUMORE

Pressione acustica ponderata A

Potenza acustica ponderata A

K_{pA} & K_{WA}

Indossare protezione per le orecchie.

L_{pA} : 82 dB(A)

L_{WA} : 93 dB(A)

3.0 dB(A)

INFORMAZIONI SULLA VIBRAZIONE

I valori totali di vibrazione (somma vettoriale triassiale) sono determinati secondo lo standard EN 62841:

Vibrazione ponderata	$a_n = 5.08 \text{ m/s}^2$
	Incertezza $K = 1.5 \text{ m/s}^2$

Il valore totale di emissione di vibrazioni dichiarato e il valore di emissioni sonore dichiarati sono stati misurati in base a un metodo di collaudo standard e possono essere utilizzati per il confronto di un utensile con un altro.

Il valore totale di emissione di vibrazioni dichiarato e il valore di emissioni sonore dichiarato possono anche essere utilizzati in una valutazione preliminare dell'esposizione.



AVVERTENZA: le emissioni di vibrazioni e sonore durante l'uso effettivo dell'elettro utensile possono differire dal valore dichiarato in base alle modalità con cui esso viene utilizzato. In particolare quale tipo di pezzo viene lavorato dipende dai seguenti fattori e da altre variazioni sulle modalità di utilizzo dell'elettro utensile:

Come viene usato l'elettro utensile e quali sono i materiali tagliati o forati.

Le condizioni e la buona manutenzione dell'elettro utensile.

L'uso dell'accessorio corretto per il taglio e la sua affilatura, nonché le sue buone condizioni.

La tenuta della presa sulle impugnature e se vengono utilizzati eventuali accessori antivibrazioni e antirumore.

L'adeguatezza dell'utilizzo dell'elettro utensile rispetto a quanto previsto.

Questo elettro utensile potrebbe causare l'insorgenza della sindrome della vibrazione dell'avambraccio se il suo utilizzo non viene gestito correttamente.



AVVERTENZA: per essere precisi, una stima del livello di esposizione nelle attuali condizioni di utilizzo dovrebbe anche tenere conto di tutte le parti del ciclo operativo, come le volte in cui lo strumento viene spento e il tempo in cui viene lasciato girare a vuoto senza realmente fare il suo lavoro. Questo potrebbe ridurre significativamente il livello di esposizione sul periodo di lavoro totale.

Aiuto a minimizzare il rischio di esposizione alle vibrazioni e al rumore.

Usare sempre scalpelli, trapani e lame affilati.

Conservare questo elettro utensile sempre in conformità a queste istruzioni e mantenerlo ben lubrificato (dove appropriato).

Se l'utensile deve essere utilizzato regolarmente, investire in accessori antivibrazioni e antirumore.

Pianificare il lavoro in modo da suddividere i lavori che implicano le maggiori vibrazioni nell'arco di più giorni.

ACCESSORI

Sacco raccogli polvere	1
Nastro abrasivo 80 grana	1
Adattatore per l'aspirazione della polvere	1

Si raccomanda di acquistare tutti gli accessori nello stesso negozio in cui è stato acquistato l'attrezzo. Fare riferimento alla confezione dell'accessorio per altri dettagli. Il personale del negozio può aiutarvi e consigliarvi.

SICUREZZA DEL PRODOTTO

AVVISI GENERALI PER LA SICUREZZA DEGLI UTENSILI A MOTORE



AVVERTENZA: Leggere tutte le avvertenze di sicurezza, le istruzioni, le illustrazioni e le specifiche fornite con questo elettroutensile. La mancata osservanza delle istruzioni elencate di seguito potrebbe provocare una scossa elettrica, un incendio e/o lesioni gravi.

Conservare tutti gli avvisi e le istruzioni per poterli consultare quando necessario.

Il termine «elettrodomestico elettrico» utilizzato di seguito in questo manuale si riferisce a utensili elettrici alimentati dalla rete (con linea di allacciamento), oltre che ad utensili elettrici alimentati a batteria (senza linea di allacciamento).

1. POSTO DI LAVORO

- a) **Mantenere pulito e ordinato il posto di lavoro.** Il disordine e le zone di lavoro non illuminate possono essere fonte di incidenti.
- b) **Evitare d'impiegare l'utensile in ambienti soggetti al rischio di esplosioni nei quali siano presenti liquidi, gas o polveri infiammabili.** Gli utensili elettrici producono scintille che possono incendiare polveri e gas.
- c) **Mantenere lontani i bambini e altre persone durante l'impiego dell'utensile elettrico.** Eventuali distrazioni potranno comportare la perdita di controllo sull'utensile.

2. SICUREZZA ELETTRICA

- a) **La spina elettrica dovrà essere adatta alla presa di corrente.** Evitare assolutamente di apportare modifiche alla spina. Non impiegare spine adattatrici assieme a utensili con collegamento a terra. Le spine non modificate e le prese adatte allo scopo riducono il rischio di scosse elettriche.
- b) **Evitare il contatto fisico con superfici collegate a terra, come tubi, apparecchiature per il riscaldamento, cucine elettriche e frigoriferi.** Nel momento in cui il corpo è messo a massa sussiste un maggior rischio di scosse elettriche.
- c) **Custodire l'utensile al riparo dalla pioggia o dall'umidità.** L'eventuale infiltrazione di acqua in un elettroutensile comporta un aumento del rischio d'insorgenza di scosse elettriche.
- d) **Non usare il cavo di alimentazione per scopi diversi da quelli previsti, al fine di trasportare o appendere l'elettrodomestico, oppure per staccare la spina dalla presa di corrente.** Mantenere l'elettrodomestico al riparo da fonti di calore, olio, spigoli o parti di strumenti in movimento. I cavi danneggiati o aggrovigliati aumentano il rischio d'insorgenza di scosse elettriche.
- e) **Qualora si voglia usare l'utensile all'aperto, impiegare solo ed esclusivamente cavi di prolunga omologati per l'impiego all'esterno.** L'uso di un cavo di prolunga omologato per l'impiego all'esterno riduce il rischio d'insorgenza di scosse elettriche.
- f) **Se si deve utilizzare l'elettrodomestico in un luogo umido, utilizzare una fonte di alimentazione dotata di interruttore differenziale.** L'uso di un interruttore differenziale riduce il rischio di folgorazioni elettriche.

3. SICUREZZA DELLE PERSONE

- a) **È importante concentrarsi su ciò che si sta facendo e maneggiare con giudizio l'elettrodomestico mentre si lavora.**

Non utilizzare l'elettrodomestico quando si è stanchi o sotto l'effetto di alcol, stupefacenti e medicinali. Un attimo di distrazione durante l'uso dell'elettrodomestico potrebbe causare lesioni gravi.

- b) **Indossare sempre dispositivi di protezione individuale, e guanti protettivi.** Se si avrà cura d'indossare equipaggiamento protettivo individuale come una maschera antipolvere, calzature antiscivolo di sicurezza, elmetto o dispositivi di protezione acustica, a seconda dell'impiego previsto per l'elettrodomestico, si potrà ridurre il rischio di lesioni.
 - c) **Evitare l'avviamento involontario. Controllare che l'interruttore sia nella posizione di spegnimento (off) prima di effettuare il collegamento a una fonte di alimentazione/ batteria e prima di sollevare o trasportare l'elettrodomestico.** Il fatto di tenere il dito sopra all'interruttore o di collegare l'utensile acceso all'alimentazione di corrente potrebbe essere causa di incidenti.
 - d) **Togliere gli attrezzi di regolazione o la chiave inglese prima di accendere l'elettrodomestico.** Un attrezzo o una chiave inglese che si trovino in una parte della macchina che sta girando può causare lesioni a persone.
 - e) **È importante non sopravvalutarsi. Avere cura di mettersi in una posizione sicura e di mantenere l'equilibrio.** In tal modo sarà possibile controllare meglio la macchina in situazioni inaspettate.
 - f) **Indossare indumenti adeguati.** Evitare di indossare vestiti lenti o gioielli. Tenere i capelli e gli indumenti lontani dalle parti mobili. Vestiti lenti, gioielli o capelli lunghi potrebbero impigliarsi in parti in movimento.
 - g) **Se sussiste la possibilità di montare dispositivi di aspirazione o di captazione della polvere, assicurarsi che gli stessi siano stati installati correttamente e vengano utilizzati senza errori.** L'impiego dei suddetti dispositivi diminuisce il pericolo rappresentato dalla polvere.
 - h) **Non lasciare che la familiarità acquisita con l'utilizzo frequente dell'elettrodomestico si trasformi in autocompiacimento e trascuratezza dei principi di sicurezza.** Un'azione imprudente può causare lesioni gravi entro una frazione di secondo.
- ### 4. MANEGGIO E IMPIEGO ACCURATO DI ELETTROUTENSILI
- a) **Non sovraccaricare l'elettrodomestico.** Impiegare l'elettrodomestico adatto per eseguire il lavoro. Utilizzando l'elettrodomestico elettrico adatto si potrà lavorare meglio e con maggior sicurezza nell'ambito della gamma di potenza indicata.
 - b) **Non utilizzare elettroutensili con interruttori difettosi.** Un elettroutensile che non si può più accendere o spegnere è pericoloso e dovrà essere riparato.
 - c) **Staccare la spina dalla presa di corrente e/o rimuovere la batteria, se rimovibile, dall'elettrodomestico prima di effettuare qualsiasi regolazione, sostituire gli accessori o riporre gli utensili elettrici.** Tale precauzione eviterà che la macchina possa essere messa in funzione inavvertitamente.
 - d) **Custodire gli elettroutensili non utilizzati fuori della portata dei bambini.** Non fare usare l'apparecchio a persone non abituate a farlo o che non abbiano letto le presenti istruzioni. Gli elettroutensili sono pericolosi se utilizzati da persone inesperte.
 - e) **Eseguire la manutenzione di elettroutensile e accessori.** Verificare che le parti mobili dell'elettrodomestico funzionino perfettamente e non s'incepiscano, che non ci siano pezzi rotti o danneggiati al punto tale da limitare la funzione della macchina stessa. Far riparare le parti danneggiate prima di

utilizzare l'elettrotensile. Numerosi incidenti vengono causati da elettrotensili la cui manutenzione è stata effettuata in modo poco accurato.

- f) **Mantenere affilati e puliti gli utensili da taglio.** Gli utensili da taglio curati con particolare attenzione e con taglienti affilati s'incepiscono meno di frequente e sono più facili da condurre.
 - g) **Utilizzare elettrotensili, accessori, attrezzi, ecc. in conformità con le presenti istruzioni e secondo quanto previsto per questo tipo specifico di macchina. Osservare le condizioni di lavoro e il lavoro da eseguire durante l'impiego.** L'impiego di elettrotensili per usi diversi da quelli consentiti potrà dar luogo a situazioni di pericolo.
 - h) **Mantenere le impugnature e le superfici di presa asciutte, pulite e prive di olio e grasso.** Le impugnature e le superfici di presa scivolose non permettono l'uso e il controllo sicuri dell'elettrotensile in situazioni impreviste.
5. **ASSISTENZA**
- a) **Fare riparare l'apparecchio esclusivamente da personale specializzato e solo impiegando pezzi di ricambio originali.** In tal modo potrà essere salvaguardata la sicurezza dell'apparecchio.

AVVERTENZE DI SICUREZZA PER LEVIGATRICE A NASTRO

Tenere l'elettrotensile con una superficie di presa isolata, poiché la superficie lucidata può toccare i propri fili. Tagliare fili "attivi" può rendere i componenti metallici dell'elettrotensile "attivi" esposti e può causare scosse elettriche all'operatore.

SIMBOLI



Per ridurre il rischio di lesioni, l'utente deve leggere il manuale di istruzioni.



Indossare protezione per gli occhi



Indossare protezione per le orecchie



Indossare una mascherina antipolvere



Attenzione



Doppio isolamento



Indossare guanti protettivi



I prodotti elettrici non possono essere gettati tra i rifiuti domestici. L'apparecchio da rottamare deve essere portato al centro di riciclaggio per un corretto trattamento. Controllare con le autorità locali o con il rivenditore per localizzare il centro di riciclaggio più vicino.

ISTRUZIONI DI FUNZIONAMENTO



NOTA: Leggere scrupolosamente il manuale delle istruzioni prima di usare l'attrezzo.

USO CONFORME ALLE NORME:

L'elettrotensile è adatto per la levigatura a secco con forte potenza abrasiva su superfici in legno, su materie plastiche, sul metallo, su superfici stuccate e superfici verniciate.

1. INTERRUPTORE D'ACCENSIONE/SPEGNIMENTO

Premerlo per avviare l'attrezzo e rilasciarlo per disattivarlo.

2. PULSANTE DI BLOCCO (VEDI FIG. A)

Premere l'interruttore d'accensione spegnimento e poi i tasti di blocco. L'attrezzo ora è bloccato per l'uso continuato. Per disattivare l'attrezzo, premere e rilasciare l'interruttore d'accensione/spegnimento.

3. IMPUGNATURE (VEDI FIG. B)

Afferrare sempre la levigatrice con entrambe le mani durante l'uso.

4. GHIERA DI CONTROLLO VELOCITÀ VARIABILE (VEDI FIG. C)

Regolare la ghiera della velocità variabile per aumentare o diminuire la velocità in base al materiale ed agli accessori usati (è possibile anche durante le operazioni a vuoto). Fare riferimento alla tabella che segue per una guida generica sulla selezione della velocità. Evitare l'uso prolungato a basse velocità perché si può danneggiare il motore della levigatrice.

Materiale	Selezione velocità	Grana nastro abrasivo
Legno massiccio	5-6	80
Impiallacciatura	2-4	150
Truciolato	1-5	60/80
Plastiche	2-5	100
Acciaio	5-6	80
Rimozione vernici	6	40/60
Legno di balsa	1-3	100
Acrilico	1-2	100

5. CAMBIARE IL NASTRO ABRASIVO (VEDI FIG. D1, D2)



AVVISO! Rimuovere la spina dalla presa di corrente prima di cambiare il nastro abrasivo.

Tirare la leva per allentare la tensione del nastro. Rimuovere il nastro vecchio ed installarne uno nuovo facendolo passare su entrambi i rulli. Assicurarsi che la freccia di direzione di rotazione sul nastro corrisponda a quella della levigatrice. Chiudere la leva per mettere in tensione il nastro.

6. CONTROLLO CENTRATURA NASTRO (VEDI FIG. E)



AVVISO! Indossare protezione per gli occhi prima di procedere alla centratura del nastro

Mettere la macchina sottosopra, afferrarla saldamente con una mano, avviare il motore e rilasciare immediatamente l'interruttore dopo avere osservato il movimento del nastro. Se il nastro abrasivo

tende verso l'esterno, girare la manopola di regolazione in senso antiorario; se il nastro abrasivo tende verso l'interno, girare la manopola di regolazione in senso orario. Regolare il nastro finché il lato esterno del nastro è parallelo al lato esterno della piastra. La durata del nastro aumenta significativamente mantenendo regolata in modo appropriato la centratura.

7. SACCO RACCOGLI POLVERE (VEDI FIG. F)

È necessario usare il sacco raccogli polvere fornito in dotazione per raccogliere la polvere prodotta durante la levigatura. I supporti di plastica del sacco si infilano nella presa della levigatrice a nastro. Quando il sacco raccogli polvere è pieno, rimuoverlo e svuotarlo aprendo la cerniera a lampo del sacco.

8. SOSTITUZIONE DELLA CINGHIA (VEDI FIG. G, H)



AVVISO! Rimuovere la spina dalla presa di corrente prima di cambiare la cinghia.

Rimuovere le due viti e la copertura della cinghia, come mostrato. (Vedi Fig. G)

Tagliare delicatamente la cinghia, se non è già strappata, e rimuoverla dalla levigatrice a nastro. Installare la nuova cinghia facendola passare attorno alla puleggia più grande. Poi installarla sulla puleggia più piccola ruotando in senso orario ed al contempo spingendo la cinghia attorno alla puleggia più piccola. La cinghia di adatterà perfettamente. (Vedi Fig. H)

Rimettere la copertura e stringere le due viti (a).

RISOLUZIONE DEI PROBLEMI

- Se la levigatrice non funziona, controllare l'alimentazione sulla spina di alimentazione.
- Se la levigatrice non graffia la superficie, controllare la nastro abrasivo. Se la nastro abrasivo è usurata, sostituirla con carta nuova e riprovare. La carta deve essere posizionata in un luogo asciutto.
- Se non è possibile correggere un errore, restituire la levigatrice a un rivenditore autorizzato per la riparazione.

CONSIGLI SUL FUNZIONAMENTO DELLA LEVIGATRICE A NASTRO

Se l'attrezzo diventa troppo caldo, in modo particolare quando è usato a bassa velocità, impostare la velocità al massimo e farlo funzionare a vuoto per 2-3 minuti per raffreddare il motore. Evitare l'uso prolungato a velocità molto basse. Usare sempre un nastro abrasivo adatto al materiale che si vuole levigare. Assicurarsi che il pezzo che si sta lavorando sia ben fissato con morsetti per prevenirne il movimento. Supportare la zona di levigatura dei pannelli di grandi dimensioni. Tutti i movimenti del pezzo possono influenzare la qualità di finitura della levigatura. Avviare la levigatrice prima di iniziare a levigare e spegnerla solamente dopo avere terminato la levigatura. Per ottenere risultati migliori, levigare il legno in direzione delle venature. Non iniziare a levigare senza che si stato inserito il nastro abrasivo. Svuotare il sacco raccogli polvere ogni 5 minuti, o meno, per assicurare una raccolta efficiente della polvere.

MANUTENZIONE

Rimuovere la spina dalla presa di corrente prima di eseguire qualsiasi regolazione, riparazione o manutenzione.

L'attrezzo non richiede lubrificazione o manutenzione aggiuntiva. All'interno dell'attrezzo non ci sono parti riparabili da parte dell'utente. Non usare mai acqua o detersivi chimici per pulire l'attrezzo. Pulire con un panno asciutto. Conservare sempre gli attrezzi elettrici in luoghi asciutti. Tenere pulite le aperture di ventilazione del motore. Tenere puliti dalla polvere tutti i controlli operativi.

Se il cavo d'alimentazione è danneggiato, deve essere sostituito dal produttore, il suo distributore o persona egualmente qualificata per evitare pericoli.

TUTELA AMBIENTALE



I prodotti elettrici non possono essere gettati tra i rifiuti domestici. L'apparecchio da rottamare deve essere portato al centro di riciclaggio per un corretto trattamento.

Controllare con le autorità locali o con il rivenditore per localizzare il centro di riciclaggio più vicino.

DICHIARAZIONE DI CONFORMITÀ

Noi,
Positec Germany GmbH
Postfach 32 02 16, 50796 Cologne, Germany

Dichiariamo che l'apparecchio,
Descrizione **Levigatrice a nastro**
Codice **WS4366 (43-Designazione del macchinario rappresentativo del Levigatrice a nastro)**
Funzioni **Rimuovere il materiale sulla superficie usando un abrasivo medio**

È conforme alle seguenti direttive,
2006/42/EC
2011/65/EU & (EU)2015/863
2014/30/EU

Conforme a
EN 62841-1
EN 62841-2-4
EN 55014-1
EN 55014-2
EN IEC 61000-3-2
EN 61000-3-3

Il responsabile autorizzato alla compilazione della documentazione tecnica,

Nome Marcel Filz
Indirizzo Positec Germany GmbH
Postfach 32 02 16, 50796 Cologne, Germany




2023/2/11
Allen Ding
Vice capo ingegnere, testing e certificazione
Positec Technology (China) Co., Ltd
18, Dongwang Road, Suzhou Industrial
Park, Jiangsu 215123, P. R. China

LISTA DE COMPONENTES

1. Mango Auxiliar
2. Salida De Extracción De Polvo
3. Botón De Fijación De Encendido
4. Áreas De Empuñadura
5. Bolsa Recolectora De Polvo
6. Cubierta De Banda
7. Botón De Reglaje Del Curso De La Banda
8. Interruptor De Conexión/Desconexión
9. De Control De Velocidad Variable
10. Banda lijadora Disco
11. Palanca De Lijado De Banda
12. Placa De Lijadura (La Fig. F)

DATOS TÉCNICOS

Modelo **WS4366 (43-designazione del macchinario rappresentativo del Lijadora de Banda)**

Tensión nominal	230-240V-50Hz
Entrada de potencia nominal	920W
Velocidad sin carga	150-270 /min
Tamaño de la correa	76*533 mm
Tamaño del lijado	76*135 mm
Doble aislamiento	 /II
Peso del aparato	2.95kg

INFORMACIÓN SOBRE EL RUIDO

Nivel de presión acústica ponderada

Nivel de potencia acústica ponderada

K_{pa} & K_{wa}

Utilice protección auditiva.

L_{pa} : 82 dB(A)

L_{wa} : 93 dB(A)

3.0 dB(A)

INFORMACIÓN SOBRE LAS VIBRACIONES

Los valores totales de vibración se determinan según la norma EN 62841:

Frecuencia de vibración	$a_n = 5.08 \text{ m/s}^2$
	Incertidumbre $K = 1.5 \text{ m/s}^2$

El valor total de vibraciones declarado y el valor de emisiones acústicas declarado se han medido de conformidad con un método de prueba estándar y pueden utilizarse para realizar comparaciones entre herramientas.

El valor total de vibraciones declarado y el valor de emisiones acústicas declarado también pueden utilizarse en una evaluación preliminar de la exposición.



ADVERTENCIA: Las vibraciones y las emisiones acústicas que se producen durante el uso de la herramienta eléctrica pueden variar respecto a los valores declarados en función de cómo se utilice la herramienta, especialmente dependiendo del tipo de pieza de trabajo que se procese y de otras formas de usar la herramienta:

Cómo se utiliza la herramienta y se cortan o perforan los materiales.

Si la herramienta se encuentra en buenas condiciones de mantenimiento.

Si se utiliza el accesorio correcto para la herramienta y se garantiza que está afilado y en buenas condiciones.

La firmeza de sujeción de las empuñaduras, y el uso de accesorios para reducir las vibraciones y el ruido.

Y si la herramienta se utiliza según su diseño y estas instrucciones.

Esta herramienta podría causar síndrome de vibración del brazo y la mano si no se utiliza correctamente.



ADVERTENCIA: Para conseguir una mayor precisión, debe tenerse en cuenta una estimación del nivel de exposición en condiciones reales de todas las partes del ciclo de uso, como los tiempos durante los que la herramienta está apagado o cuando está en funcionamiento pero no está realizando ningún trabajo. Ello podría reducir notablemente el nivel de exposición sobre el periodo de carga total.

Minimización del riesgo de exposición a las vibraciones y el ruido.

Utilice SIEMPRE cinceles, brocas y cuchillas afiladas.

Mantenga esta herramienta de acuerdo con estas instrucciones y bien lubricada (si es necesario).

Si la herramienta se va a utilizar de forma habitual, se recomienda adquirir accesorios para reducir las vibraciones y el ruido.

Planifique su programa de trabajo para distribuir el uso de la herramienta a lo largo de varios días.

ACCESORIOS

Bolsa Recolectora De Polvo	1
Banda De Lija De Grano 80	1
Adaptador De Extracción De Polvo	1

Recomendamos que adquiera todos sus accesorios en el mismo comercio donde compró la herramienta. Consulte los estuches de los accesorios para más detalles. El personal del comercio también puede ayudar y aconsejar.

SEGURIDAD DEL PRODUCTO

ADVERTENCIAS DE SEGURIDAD GENERALES SOBRE HERRAMIENTAS ELÉCTRICAS



ADVERTENCIA: Lea todas las advertencias de seguridad, instrucciones, ilustraciones y especificaciones que acompañan a esta herramienta eléctrica. Si no se respetan todas las instrucciones que se indican abajo, podría producirse una descarga eléctrica, un incendio o alguien podría resultar herido de gravedad.

Conserve todas las advertencias e instrucciones para futuras consultas.

El término "herramienta eléctrica" en todas las advertencias siguientes corresponde a la herramienta eléctrica con o sin cable.

1. ZONA DE TRABAJO

- a) **Mantener su lugar de trabajo limpio y bien iluminado.** Bancos de trabajo desordenados y lugares oscuros invitan a los accidentes.
- b) **No utilizar herramientas eléctricas en atmósferas explosivas, como por ejemplo en presencia de líquidos inflamables, gases o polvo.** Las herramientas eléctricas crean chispas que pueden encender el polvo o los vapores.
- c) **Mantener alejados a los niños y visitantes mientras opera una herramienta eléctrica.** Las distracciones pueden hacerle perder el control.

2. SEGURIDAD ELÉCTRICA

- a) **Los enchufes de la herramienta eléctrica deben encajar perfectamente en el tomacorriente.** Nunca modificar el enchufe de ninguna manera. No utilizar adaptadores con herramientas eléctricas conectadas a tierra. Los enchufes no modificados y los que encajan perfectamente en el tomacorriente reducirán el riesgo de descarga eléctrica.
- b) **Evitar el contacto del cuerpo con superficies conectadas a tierra tales como caños, radiadores, cocinas y heladeras.** Existe un riesgo creciente de descarga eléctrica si su cuerpo queda conectado a tierra.
- c) **No exponer las herramientas eléctricas a la lluvia y no guardar en lugares húmedos.** El agua que penetra en ellas aumentará el riesgo de una descarga eléctrica.
- d) **No abusar del cable.** Nunca utilizar el cable para transportar, tirar o desenchar la herramienta eléctrica. Mantener el cable alejado del calor, del aceite, de bordes agudos o piezas móviles. Los cables dañados o enredados aumentan el riesgo de descarga eléctrica.
- e) **Cuando utilice su herramienta eléctrica al aire libre, emplear un prolongador apto para uso en exteriores.** El empleo de cables para uso al aire libre reduce el riesgo de descarga eléctrica.
- f) **Si es necesario utilizar la herramienta motorizada en un lugar muy húmedo, utilice una fuente de alimentación con dispositivo de corriente residual (RCD).** El uso de un RCD reduce el riesgo de descarga eléctrica.

3. SEGURIDAD PERSONAL

- a) **Mantenerse alerta, poner atención en lo que está haciendo y utilice el sentido común mientras opera una herramienta eléctrica.** No emplear la herramienta cuando se encuentre cansado o bajo la influencia de drogas, alcohol o medicación. Un momento de falta de

atención durante el manejo de herramientas eléctricas puede dar lugar a daños corporales serios.

- b) **Utilizar equipo de seguridad.** Usar siempre protección ocular. Equipo de seguridad como máscaras contra el polvo, zapatos antideslizantes de seguridad, sombrero o protección auditiva para condiciones apropiadas reducirá daños corporales.
- c) **Evite el arranque accidental.** Asegúrese de que el interruptor se encuentra desactivado antes de enchufar la máquina o colocar la batería, al tomar la herramienta o transportarla. Transportar herramientas con el dedo en el interruptor o enchufar la herramienta cuando el interruptor está encendido invitan a los accidentes.
- d) **Retire llaves de ajuste o llaves inglesas antes de poner la herramienta en funcionamiento.** Una llave que queda unida a una pieza móvil de la herramienta puede originar daños corporales.
- e) **No extralimitarse.** Mantenerse firme y con buen equilibrio en todo momento. Esto permite un mejor control de la herramienta en situaciones inesperadas.
- f) **Vestirse apropiadamente.** No usar ropa suelta ni alhajas. Mantenga el pelo, la ropa y los guantes alejados de las piezas en movimiento. La ropa suelta, las alhajas o el cabello largo pueden ser atrapados por las piezas móviles.
- g) **Si se proporcionan dispositivos para la extracción y recolección de polvo, asegurarse de que estos estén conectados y utilizados correctamente.** El uso de estos dispositivos puede reducir peligros relacionados con el polvo.
- h) **No permita que el hecho de estar familiarizado con el uso de herramientas le haga volverse descuidado o ignorar las normas de seguridad.** La falta de atención puede provocar heridas graves en una fracción de segundo.

4. MANTENIMIENTO DE LA HERRAMIENTA MOTORIZADA

- a) **No forzar la herramienta eléctrica.** Utilizar la herramienta eléctrica correcta para su aplicación. La herramienta eléctrica correcta hará el trabajo mejor y más seguro a la velocidad para la cual fue diseñada.
- b) **No utilizar la herramienta eléctrica si el interruptor no la enciende o apaga.** Cualquier herramienta eléctrica que no pueda ser controlada con el interruptor es peligrosa y debe ser reparada.
- c) **Desconecte la clavija de la fuente de alimentación o extraiga la batería (si es desmontable) de la herramienta eléctrica antes de realizar cualquier ajuste, cambiar los accesorios o guardar la herramienta.** Tales medidas de seguridad preventivas reducen el riesgo de arranque accidental de la herramienta.
- d) **Mantener las herramientas eléctricas que no usa fuera del alcance de los niños y no permita que personas no familiarizadas con la herramienta o con estas instrucciones maneje la herramienta eléctrica.** Las herramientas eléctricas son peligrosas en manos de usuarios inexpertos.
- e) **Realice un mantenimiento adecuado de las herramientas eléctricas y sus accesorios.** Comprobar si hay desalineamiento o atascamiento de piezas móviles, rotura de piezas en general y cualquier otra condición que pueda afectar la operación normal de la herramienta. Si se verifican daños, recurra a un servicio calificado antes de volver a usar la herramienta. Las herramientas mal mantenidas causan muchos accidentes.
- f) **Mantener las piezas de corte limpias y afiladas.** Puesto que son menos probables de atascarse y más fáciles de

controlar.

- g) **Utilizar la herramienta eléctrica, accesorios y brocas etc., de acuerdo con estas instrucciones y de la manera prevista para el tipo particular de herramienta eléctrica, teniendo en cuenta las condiciones de trabajo y el trabajo a ser realizado.** *El uso de la herramienta eléctrica para otras operaciones distintas de lo previsto podría dar lugar a una situación peligrosa.*
- h) **Mantenga las empuñaduras y las superficies de agarre secas, limpias y sin aceite ni grasa.** *Una empuñadura o una superficie de agarre resbaladiza dificultan la correcta manipulación y el control de la herramienta en situaciones imprevistas.*
- 5) **REPARACIÓN**
- a) **Permitir que el mantenimiento de su herramienta eléctrica sea efectuado por una persona calificada usando solamente piezas de recambio idénticas.** *Esto es primordial para mantener la seguridad de la herramienta eléctrica.*

ADVERTENCIAS DE SEGURIDAD PARA LIJADORA DE BANDA

Sujete la herramienta eléctrica con superficies de agarre aisladas, ya que la superficie de lijado puede tocar su propio cable. *Cortar cable "activo" puede hacer "activas" las partes metálicas expuestas de la herramienta eléctrica y puede causar un sufrimiento de descarga eléctrica al operador.*

SÍMBOLOS



Para reducir el riesgo de lesión, lea el manual de instrucciones



Utilizar protección ocular



Utilice protección auditiva



Utilizar una máscara antipolvo



Advertencia



Doble aislamiento



Utilice guantes de protección



Los residuos de aparatos eléctricos y electrónicos no deben depositarse en la basura doméstica. Se deben reciclar en las instalaciones especializadas. Consulte a las autoridades locales o el establecimiento para saber cómo reciclar estos productos.

INSTRUCCIONES DE FUNCIONAMIENTO



NOTA: Antes de usar la herramienta lea el manual de instrucciones detenidamente.

USO INDICADO:

La herramienta eléctrica ha sido proyectada para lijarse en seco, con un elevado rendimiento en el arranque de material, superficies de madera, plástico, metal, emplastecido y superficies pintadas.

1. INTERRUPTOR DE CONEXIÓN/DESCONEXIÓN

Pulse para encender y suelte para detener su herramienta.

2. BOTÓN DE FIJACIÓN DE ENCENDIDO (LA FIG. A)

Pulse el interruptor de conexión/desconexión y seguidamente el botón de fijación de encendido. Su interruptor está ahora fijado para su uso continuado. Para apagar su herramienta simplemente pulse y suelte el interruptor de conexión/desconexión.

3. ÁREAS DE EMPUÑADURA (LA FIG. B)

Sujete siempre Lijadora de banda de banda de manera firme con las dos manos mientras esté en funcionamiento.

4. DISCO DE CONTROL DE VELOCIDAD VARIABLE (LA FIG. C)

Ajuste el disco de control de velocidad variable para incrementar o disminuir la velocidad dependiendo del material y del tipo de banda lijadora a usar (también es posible durante las operaciones sin carga). La siguiente tabla le proporciona información general sobre el tipo de velocidad. El uso prolongado del aparato a una velocidad muy baja puede dañar el motor de Lijadora de banda.

Material	Selección de velocidad	Grano de Banda
Madera Compacta	5-6	80
Chapa	2-4	150
Aglomerado	1-5	60/80
Plásticos	2-5	100
Acero	5-6	80
Eliminación de Pintura	6	40/60
Madera de Balsa	1-3	100
Acrílico	1-2	100

5. CAMBIO DE LA BANDA DE LIJADO (LA FIG. D1, D2)



¡PRECAUCIÓN! Retire el enchufe de la toma antes de cambiar la banda de lijado.

Empuje la palanca para soltar la presión de la banda. Retire la banda y ajuste una nueva banda sobre ambos rodillos. Asegúrese de que la dirección de las flechas de rotación en la banda y en la lijadora son las mismas. Cierre la palanca para tensar la banda.

6. BOTÓN DE REGLAJE DE CURSO DE LA BANDA (LA FIG. E)



¡PRECAUCIÓN! Utilice protección para los ojos antes de realizar un ajuste del curso de la banda.

Coloque el aparato al revés, sujételo firmemente con una mano,

encienda el motor y suelte el interruptor en el momento que observe que la banda retoma el curso. Si la banda abrasiva corre hacia fuera, gire el botón de reglaje en el sentido contrario a las agujas del reloj y en el sentido de las agujas del reloj si corre hacia dentro (ver E). ajuste la banda hasta que el borde externo de la banda está equilibrado con el extremo exterior de la placa base (9). El ciclo de vida de la banda se incrementa considerablemente al mantener el reglaje de curso colocado adecuadamente.

7. BOLSA RECOGEPOLVO (LA FIG. F)

Debe utilizar la bolsa recolectora de polvo incluida para recoger el polvo producido durante el lijado. La ménsula de la bolsa plástica de recolección de polvo se desliza dentro de la conexión de salida de la banda lijadora. Cuando la bolsa recolectora está llena, sáquela y proceda a su vaciado abriendo la cremallera de la bolsa recogepolvo.

8. DRIVE BELT REPLACEMENT (LA FIG. G, H)



¡PRECAUCIÓN! Retire el enchufe de la toma antes de cambiar el propulsor de la banda de lijado.

Retire los dos tornillos y la cubierta de la banda como se muestra. (La Fig. G)

Corte con cuidado el propulsor de la banda si aún no está roto y sáquelo de Lijadora de banda de banda. Encaje el nuevo propulsor de la banda sobre la polea grande. Después ajuste el propulsor en la polea pequeña girándolo en el sentido de las agujas del reloj y al mismo tiempo empujando el propulsor alrededor de la polea pequeña. El propulsor de la banda estará completamente ajustado. (La Fig. H)

Coloque la cubierta de la banda y los dos tornillos (a).

SOLUCIÓN DE PROBLEMAS

- Si su lijadora no funciona, verifique la alimentación en el enchufe de la red.
- Si la pulidora no desgasta la superficie, verifique el bonete. Si el bonete se ha desgastado, reemplácelo por uno nuevo e inténtelo nuevamente. El papel debe mantenerse en un lugar seco.
- Si no se puede corregir un fallo, devuelva la lijadora a un distribuidor autorizado para la reparación.

SUGERENCIAS DE FUNCIONAMIENTO DE LIJADORA DE BANDA DE BANDA

Si su herramienta eléctrica se calienta demasiado, especialmente cuando se usa a baja velocidad, póngala a máxima velocidad y trabaje con ella sin cargar durante 2-3 minutos para enfriar el motor. Evite el uso prolongado de Lijadora de banda a baja velocidad. Use siempre banda lijadora adecuada para el material que quiere lijar. Asegúrese de que la pieza sobre la que va a operar se encuentra fuertemente sujeta o fijada para evitar movimientos. Cualquier movimiento del material puede afectar a la calidad del acabado del lijado. Encienda Lijadora de banda antes de lijar y apáguela solo cuando haya terminado de lijar. Para unos mejores resultados, lije la madera en la dirección del grano. Nunca comience a lijar si la banda de lijado no está bien ajustada.

MANTENIMIENTO

Retire el enchufe de la toma de corriente antes de efectuar cualquier ajuste, reparación o mantenimiento.

Su herramienta eléctrica no requiere de lubricación ni mantenimiento adicional. No posee piezas en su interior que deban ser reparadas por el usuario. Nunca emplee agua o productos químicos para limpiar su herramienta. Use simplemente un paño seco. Guarde siempre su herramienta en un lugar seco. Mantenga limpias las ranuras de ventilación del motor. Mantenga todos los controles de funcionamiento libres de polvo.

Si el cable de alimentación está dañado deberá ser reemplazado por el fabricante, su agente de servicio o por alguna persona cualificada para evitar riesgos.

PROTECCION AMBIENTAL



Los residuos de aparatos eléctricos y electrónicos no deben depositarse en la basura doméstica. Se deben reciclar en las instalaciones especializadas. Consulte a las autoridades locales o el establecimiento para saber cómo reciclar estos productos.

DECLARACIÓN DE CONFORMIDAD

Los que reciben,
Positec Germany GmbH
Postfach 32 02 16, 50796 Cologne, Germany

Declaran que el producto

Descripción **Lijadora de banda**

Modelo **WS4366 (43-designazione del macchinario rappresentativo del Lijadora de Banda)**

Funciones **Eliminación de material superficial con un medio abrasivo**

Cumple con las siguientes Directivas,
2006/42/EC
2011/65/EU & (EU)2015/863
2014/30/EU

Cumple las normativas

EN 62841-1

EN 62841-2-4

EN 55014-1

EN 55014-2

EN IEC 61000-3-2

EN 61000-3-3

La Persona autorizada para componer el archivo técnico,

Nombre Marcel Filz

Dirección Positec Germany GmbH

Postfach 32 02 16, 50796 Cologne, Germany



2023/2/11

Allen Ding

Ingeniero Jefe Adjunto. Pruebas y Certificación.

Positec Technology (China) Co., Ltd

18, Dongwang Road, Suzhou Industrial

Park, Jianguo 215123, P. R. China

СПИСЪК НА КОМПОНЕНТИТЕ

1. Спомагателна ръкохватка
2. Изсмукване на прах
3. Бутон за заключване на спусъка
4. Зони за захват на ръцете
5. Прахоулавяща торба
6. Капак на лентата
7. Контролно копче за центриране на лентата
8. Превключвател за включване/ изключване
9. Регулатор на променливите обороти
10. Шлифовъчна лента-шкурка
11. Лост на шлифовъчната лента (шкурка)
12. Шлифовъчна плоча (Вижте Фиг. F)

ТЕХНИЧЕСКИ ДАННИ

Модел **WS4366 (43 -** Предназначение на машината, представителна за лентова шлифовъчна машина

Напрежение	230-240V~50Hz
Входна мощност	920W
Скорост на празен ход	150-270m/min
Размер на лентата	76*533 mm
Размер на шкурката	76*135 mm
Клас на защита	□/II
Тегло на машината	2.95kg

ИНФОРМАЦИЯ ЗА ШУМА

Претеглено звуково налягане

Претеглена звукова мощност

$K_{pa} & K_{wa} = 3.0 \text{ dB(A)}$

Носете антифони.

$L_{pa} = 82 \text{ dB(A)}$

$L_{wa} = 93 \text{ dB(A)}$

ИНФОРМАЦИЯ ЗА ВИБРАЦИИТЕ

Обща стойност на вибрациите (триаксиална векторна сума), определена според БДС EN 62841:

Стойност на вибрационните емисии:

$a_w = 5.08 \text{ m/s}^2$

Неопределеност $K = 1.5 \text{ m/s}^2$

Декларираната обща стойност на вибрациите и декларираната стойност на емисиите на шум са измерени в съответствие със стандартен метод за измерване и могат да бъдат използвани за сравняване на един инструмент с друг.

Декларираната обща стойност на вибрация и декларираната емисия на шум може да се използва и за предварителна оценка на експозицията.



ПРЕДУПРЕЖДЕНИЕ: Стойността на емисиите на вибрации и шум при реално използване на електроинструмента може да се различава от декларираната стойност според начините, по които инструментът се използва, в зависимост от следните примери следните примери и други варианти за начина на използване на инструмента:

Как се използва инструментът и какви материали се режат или пробиват.

Добро състояние и правилна поддръжка на инструмента.

Използване на правилните аксесоари за инструмента и поддържането му остър и в добро състояние.

Стегнат захват на ръкохватките и използване на противовибрационни и противощумови аксесоари.

Употреба на инструмента според дизайна му и тези инструкции.

Този инструмент може да предизвика синдром на вибрация „ръка-рамо“, ако употребата му не се управлява адекватно.



ПРЕДУПРЕЖДЕНИЕ: За да бъдем точни, е необходимо също да се вземе предвид оценката на нивото на експозиция в реалните условия на експлоатация за всички части на работния цикъл, като например времето, през което инструментът е изключен и когато работи на празен ход без реално да извършва работа. Това може значително да намали нивото на експозиция през общия работен период.

Как да намалите риска от експозиция на вибрации и шум.

ВИНАГИ използвайте остри длета, свредла и ножове.

Грижете се за инструмента според тези инструкции и го поддържайте смазан (където е приложимо).

Ако инструментът ще се използва редовно, инвестирайте в противовибрационни и противощумови аксесоари.

Планирайте работния си график, за да разпределите употребата на високовибрационни инструменти в няколко отделни дни.

АКСЕСОАРИ

Торбичка за събиране на прах	1
Шлифовъчна лента (шкурка) със зърнистост 80	1
Адаптер на системата за прахоулавяне	1

Препоръчваме ви да закупвате вашите аксесоари от същия магазин, от който сте закупили инструмента. Направете справка с опаковката за аксесоари за повече подробности. Персоналът в магазина може да ви съдейства и да ви предложи съвет.

БЕЗОПАСНОСТ НА ПРОДУКТА

БЕЗОПАСНОСТ НА ПРОДУКТА ОБЩИ ПРЕДУПРЕЖДЕНИЯ ЗА БЕЗОПАСНОСТ НА ЕЛЕКТРИЧЕСКИ ИНСТРУМЕНТИ



ПРЕДУПРЕЖДЕНИЕ: Прочетете всички предупреждения за безопасност, инструкции, илюстрации и соецификации, предоставени с този електроинструмент. Неспазването на всички посочени инструкции може да доведе до токов удар, пожар и/или сериозно нараняване.

Запазете всички предупреждения и инструкции за бъдеща справка.

Терминът „електроинструмент“ в предупрежденията се отнася за вашите електроинструменти, захранвани от мрежата (с кабел) или за електроинструментите, работещи с батерия (без кабел).

1. БЕЗОПАСНОСТ НА РАБОТНАТА ЗОНА

- a) **Поддържайте работната зона чиста и добре осветена.** Разхвърляните или тъмни зони предизвикват инциденти.
- b) **Не работете с електроинструменти в експлозивни атмосфери, като например при наличие на запалими течности, газове или прах.** Електроинструментите произвеждат искри, които могат да запалят прах или изпарения.
- c) **Децата и наблюдателите трябва да стоят настрана, докато работите с електроинструмента.** Разсейването може да доведе до загуба на контрол.

2. ЕЛЕКТРИЧЕСКА БЕЗОПАСНОСТ

- a) **Щепселите на електроинструментите трябва да съответстват на контактите. Никога не модифицирайте щепсела по никакъв начин.** Не използвайте никакви преходни щепсели със заземени електроинструменти. Немодифицираните щепсели и подходящите контакти ще намалят риска от токов удар.
- b) **Избягвайте контакт на тялото със заземени повърхности, като тръби, радиатори, кухненски печки и хладилници.** Съществува повишен риск от токов удар, ако тялото ви бъде заземено.
- c) **Не излагайте електроинструментите на дъжд или влажни условия.** Водата, навлизаща в електроинструмента, ще увеличи риска от токов удар.
- d) **Не повреждайте кабела. Никога не използвайте кабела, за да носите, дърпате или изключвате**

електроинструмента. Дръжте кабела далеч от топлина, масло, остри ръбове или движещи се части. Повредените или заплетени кабели повишават риска от токов удар.

- e) **Когато работите с електроинструмент на открито, използвайте удължителен кабел, подходящ за употреба на открито.** Употребата на кабел, подходящ за употреба на открито, намалява риска от токов удар.
- f) **Ако е наложително да работите с електроинструмента във влажно място, използвайте защитно захранване с дефектнотокова защита (ДТЗ).** Използването на ДТЗ намалява риска от токов удар.

3. ЛИЧНА БЕЗОПАСНОСТ

- a) **Бъдете нащрек, внимавайте какво правите и използвайте здравия си разум, когато работите с електроинструмент. Не използвайте електроинструмент, когато сте изморени или под влияние на наркотици, алкохол или лекарства.** Момент невнимание при работа с електроинструмент може да доведе до сериозни наранявания.
- b) **Използвайте лични предпазни средства. Винаги носете защитна за очите.** Предпазните средства като противопроакхова маска, предпазни обувки против пързаялене, каска или антифони, използвани за подходящите условия, ще намалят нараняванията.
- c) **Предотвратяване на нежелано включване. Уверете се, че превключвателят е в позиция изкл. (off), преди свързване към източник на захранване и/или батериен пакет, вземане или носене на инструмента.** Носенето на електроинструменти с пръст върху превключвателя или включването им при натиснат превключвател може да доведе до злополуки.
- d) **Отстранете всеки регулиращ ключ или гаечен ключ преди да включите инструмента.** Гаечен ключ или друг ключ, прикрепен към въртяща се част на електроинструмента, може да доведе до наранявания.
- e) **Не дръжте инструмента твърде далече. Непрекъснато спазвайте подходящо положение и баланс.** Това спомага за по-доброто управление на електроинструмента в непредвидени ситуации.
- f) **Носете подходящо облекло. Не носете широки дрехи или бижута. Дръжте косата и дрехите си далеч от движещите се части.** Широки дрехи, бижута или дългата коса могат да бъдат захванати от движещите се части.
- g) **Ако са осигурени устройства за свързване на уреди за извличане и събиране на прах, уверете се, че те са**

свързани и се използват правилно.

Събирането на прах може да намали опасностите, свързани с праха.

- h) **Не позволявайте познаването, придобито от честата употреба на инструменти, да ви позволи да изгубите бдителността си и да игнорирате принципите за безопасност на инструментите.** *Небрежно действие може да причини тежки наранявания в рамките на части от секундата.*

4. ИЗПОЛЗВАНЕ И ГРИЖА ЗА ЕЛЕКТРОИНСТРУМЕНТА

- a) **Не претоварвайте електроинструмента.** Използвайте правилния електроинструмент за вашите нужди. *Правилният електроинструмент ще свърши работата по-добре и по-безопасно при скоростта, за която е проектиран.*
- b) **Не използвайте електроинструмента, ако преклювачателят не го включва или изключва.** *Всички електроинструменти, които не могат да бъдат управлявани от преклювачателя си, са опасни и трябва да бъдат ремонтирани.*
- c) **Изключете щепсела от източника на захранване и / или извадете батерийния пакет, ако се разглобява, от електроинструмента, преди да направите каквито и да е настройки, да смените аксесоарите или да съхранявате електроинструментите.** *Подобни превантивни предпазни мерки намаляват риска от включване на електроинструмента по невнимание.*
- d) **Съхранявайте електроинструментите далеч от досега на деца и не позволявайте на лица, които не са запознати с електроинструмента или тези инструкции, да работят с електроинструмента.** *Електроинструментите са опасни в ръцете на необучени потребители.*
- e) **Поддържайте електроинструментите и аксесоарите.** Проверете за неправилно подравняване или свързване на движещите се части, счупване на частите и други състояния, които могат да повлияят на работата на електроинструмента. *При повреда, ремонтирайте инструментите преди употреба. Много злополуки са причинени от лошо поддържани електроинструменти.*
- f) **Поддържайте режещите инструменти остри и чисти.** *Правилно поддържаните режещи инструменти с остри режещи ръбове е по-малко вероятно да засичат при работа и са по-лесни за управление.*
- g) **Използвайте електроинструментите, аксесоарите и накрайниците според настоящите инструкции, като отчитате условията на работа и работата, която трябва да се извърши.** *Употребата на*

електроинструмента за операции, различни от тези, за които е предназначен, може да доведе до опасни ситуации.

- h) **Пазете дръжките и захващащите повърхности сухи, чисти и без следи от масло и смазка.** *Хлъзгавите дръжки и захващащи повърхности не позволяват безопасна работа и контрол на инструментите при неочаквани ситуации.*

5. ОБСЛУЖВАНЕ

- a) **Вашият електроинструмент трябва да се обслужва от квалифицирано лице, което използва само оригинални резервни части.** *Това ще гарантира, че се поддържа безопасността на електроинструмента.*

ПРЕДУПРЕЖДЕНИЯ ЗА БЕЗОПАСНОСТ ЗА ЛЕНТОВАТАС ШЛИФОВЪЧНА МАШИНА

Дръжте електроинструмента само за изолираните повърхности за захващане, защото шлифовачната повърхност може да се допре до захранващия кабел. Ако проводник под напрежение бъде прекъснат, токът може да протече по откритите метални части на електроинструмента и да причини токов удар на оператора.

СИМВОЛИ



За да се намали рискът от наранявания, потребителят трябва да п



Носете защитни очила



Носете антифони



Носете противопрахова маска



Предупреждение



Двойна изолация



Носете защитни ръкавици



Излезлите от употреба електрически продукти не бива да бъдат изхвърляни заедно с битовите отпадъци. Моля, използвайте рециклиращи съоръжения там, където има такива. Информация за рециклирането можете да получите от местните власти или от съответния търговец на дребно.

ИНСТРУКЦИИ ЗА РАБОТА



ЗАБЕЛЕЖКА: Преди да използвате инструмента, прочетете книгчката с инструкциите внимателно.

ПРЕДНАЗНАЧЕНИЕ

Машината е предназначена за сухо шлифоване – с висока способност за отстраняване на дърво, пластмаса, метал, пълнител, както и лакирани повърхности.

1. ПРЕВКЛЮЧВАТЕЛ ЗА ВКЛЮЧВАНЕ/ ИЗКЛЮЧВАНЕ

Натиснете превключвателя за включване/ изключване, за да стартирате, и го отпуснете, за да спрете вашия инструмент.

2. БУТОН ЗА ЗАКЛЮЧВАНЕ НА ПРЕВКЛЮЧВАТЕЛЯ (ВИЖТЕ ФИГ. А)

Натиснете превключвателя за включване/ изключване и след това бутона за заключване. Вашият инструмент вече е заключен за продължителна употреба. За да изключите инструмента си, просто натиснете и освободете превключвателя за включване/изключване.

3. ЗОНИ НА ЗАХВАТ НА РЪЦЕТЕ (ВИЖТЕ ФИГ. В)

Винаги дръжте лентовата шлифовъчна машина здраво с двете си ръце, когато работите.

4. УПРАВЛЕНИЕ НА ПРОМЕНЛИВАТА СКОРОСТ (ВИЖТЕ ФИГ. С)

Регулирайте с помощта на копчето на регулатора за контрол на различните скорости, за да увеличите или намалите скоростта в зависимост от материала и спецификацията на шлифовъчната лента, която ще се използва (възможно при работа на машината без натоварване). Вижте таблицата по-долу за общи насоки за избор на скорост Избягвайте продължителна употреба при много ниска скорост, тъй като това може да повреди двигателя на лентовата шлифовъчна машина.

Материал	Избор на скорост	Зърнистост на лентата
Масивно дърво	5-6	80
Фурнир	2-4	150
ПДЧ	1-5	60/80
Пластмаса	2-5	100
Стомана	5-6	80
Отстраняване на боя	6	40/60
Балсово дърво	1-3	100
Акрил	1-2	100

5. СМЯНА НА ШЛИФОВЪЧНАТА ЛЕНТА (ВИЖТЕ ФИГ. D1, D2)



ПРЕДУПРЕЖДЕНИЕ! Преди да смените шлифовъчната лента, извадете главния щепсел от контакта.

Издърпайте лоста на шлифовъчната лента, за да отпуснете обтягането на лентата. Извадете и поставете нова шлифовъчна лента върху двете ролки. Уверете се, че стрелките за посоката на въртене на лентата и на лентовата шлифовъчна машина са еднакви. Затворете лоста на шлифовъчната лента, за я опънете.

6. УПРАВЛЕНИЕ НА ЦЕНТРИРАНЕТО НА ЛЕНТАТА (ВИЖТЕ ФИГ. E)



ПРЕДУПРЕЖДЕНИЕ! Носете предпазни средства за очите, преди да извършите настройка на центрирането на колана.

Обърнете машината на обратно, дръжте я здраво с една ръка, стартирайте двигателя и освободете превключвателя веднага след като забележите проследяващата маркировка на шлифовъчната лента. Ако абразивната лента се изплъзва навън, завъртете копчето за регулиране на центриране обратно на часовниковата стрелка, а ако лентата се изплъзва навътре - завъртете го по часовниковата стрелка. Регулирайте шлифовъчната лента, докато външния ѝ ръб се изравни с външния ръб на основната плоча. Животът на ремъка ще бъде значително увеличен, ако регулирането на проследяването се извършва правилно.

7. КАПАК СРЕЩУ ПРАХ (ВИЖТЕ ФИГ. F)

Трябва да използвате предоставената прахоулавяща торба, за да събирате праха, образуван по време на шлифоването. Пластмасовата скоба на прахоулавящата торба се приплъзва над изхода за прахоулавящата система на лентовата шлифовъчна машина. Когато прахоулавящата торба е пълна, я извадете и изпразнете, като отворите ципа ѝ.

8. ПОДМЯНА НА ШЛИФОВЪЧНАТА ЛЕНТА (ВИЖТЕ ФИГ. G, H)



ПРЕДУПРЕЖДЕНИЕ! Преди да извършите смяна на шлифовъчната лента, извадете главния щепсел от контакта.

Свалете двата винта (а) и капака на лентата, както е показано. (вижте фиг. G) Внимателно отрежете шлифовъчната лента, ако все още не е скъсана, и я извадете от шлифовъчната машина. Монтирайте новата шлифовъчна лента около голямата ролка. След това я поставете върху малката ролка, като завъртите по посока на часовниковата стрелка и едновременно с това прокарате показалата се лента около малката ролка. Шлифовъчната лента ще е добре натегната. (вижте фиг. H) Монтирайте капака на лентата и двата винта (а).

ОТСТРАНЯВАНЕ НА НЕИЗПРАВНОСТИ

1. Ако шлифовъчната машина не работи, проверете захранването в щепсела за захранване.
2. Ако шлифовъчната машина не шлифова повърхността, проверете шлифовъчната лента. Ако шлифовъчната лента е износена, сменете я с нова и опитайте отново. Шлифовъчната лента трябва да се съхранява на сухо място.
3. Ако повредата не може да бъде отстранена върнете шлифовъчната машина на оторизиран търговец за ремонт.

СЪВЕТИ ПРИ РАБОТА С ШЛАЙФ МАШИНА

Ако вашият електроинструмент стане твърде горещ, особено при ниски обороти, настройте скоростта на максимум и работете без товар за 2-3 минути, за да охладите двигателя. Избягвайте продължителна употреба при много ниски обороти. Винаги използвайте шкурка, подходяща за материала, който искате да шкурите. Винаги се уверете, че работната част е здраво фиксирана или затегната, за да предотвратите движение. Поддържайте големите панели близо до зоната на шкурене. Всяко движение на материала може да повлияе на качеството на шкуренето. Започнете вашата шкурка преди да започнете да шкурите и я изключете само след спиране на шкуренето. За най-добри резултати, шкурете дървото в посока на зърното. Не започвайте да шкурите без поставената шкурка. Изпразнете чантата за прах на всеки 5 минути или по-скоро, за да гарантирате ефективно събиране на прах.

ПОДДРЪЖКА

Преди да пристъпите към каквото и да било регулиране, обслужване или поддръжка, първо издърпайте захранващия щепсел от електрическия контакт.

Вашият електроинструмент не се нуждае от допълнително смазване или поддръжка. Вашият електроинструмент не съдържа никакви детайли, които да се обслужват от потребителя. Никога не използвайте вода или химически препарати за почистване на електроинструмента. Почиствайте го със суха кърпа. Винаги съхранявайте вашия електроинструмент на сухо място. Поддържайте вентилационните отвори на двигателя чисти. Поддържайте всички бутони за управление чисти от прах. От време на време може да виждате искри през вентилационните отвори. Това е нормално и няма да повреди вашия електрически инструмент.

Ако захранващият кабел бъде повреден, той трябва да бъде подменен от производителя, от обслужващия го представител или от друго компетентно лице с цел избягване на опасности.

ОПАЗВАНЕ НА ОКОЛНАТА СРЕДА



Излезлите от употреба електрически продукти не бива да бъдат изхвърляни заедно с битовите отпадъци. Моля, рециклирайте, където съществуват съоръжения. Информация за рециклирането можете да получите от местните власти или от съответния търговец на дребно.

ДЕКЛАРАЦИЯ ЗА СЪОТВЕТСТВИЕ

Ние,
POSITEC Germany GmbH
Postfach 32 02 16, 50796 Cologne, Germany

Декларираме, че продуктът
Описание **Лентова шлифовъчна машина**
Модел обозначение **WS4366**
(43-Предназначение на машината, представителна за лентова шлифовъчна машина
Функция **Отстранявайте повърхностния материал с безкрайна абразивна лента**

Отговаря на следните Директиви:
2006/42/EC
2011/65/EU & (EU)2015/863
2014/30/EU

както и на стандартите:

EN 62841-1
EN 62841-2-4
EN 55014-1
EN 55014-2
EN IEC 61000-3-2
EN 61000-3-3

Лице, оторизирано да изготвя техническото досие,
Име Marcel Filz
Адрес POSITEC Germany GmbH
Postfach 32 02 16, 50796 Cologne, Germany



2023.02.11
Allen Ding
Заместник-главен инженер, отговарящ за тестването и сертифицирането
Positec Technology (China) Co., Ltd
18, Dongwang Road, Suzhou Industrial Park, Jianguo 215123, P. R. China

WESCO