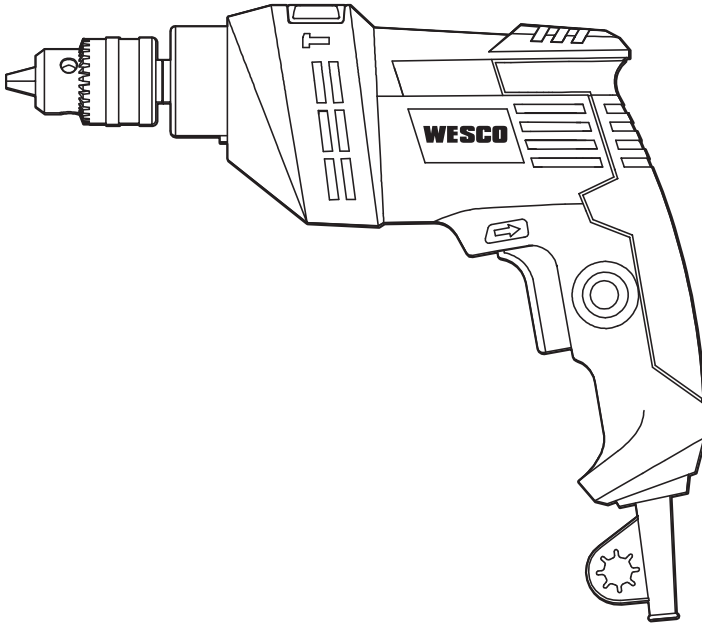


# WESCO



**WS3173**

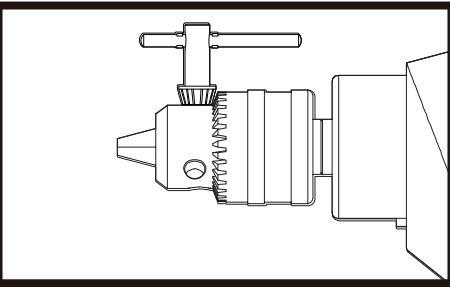
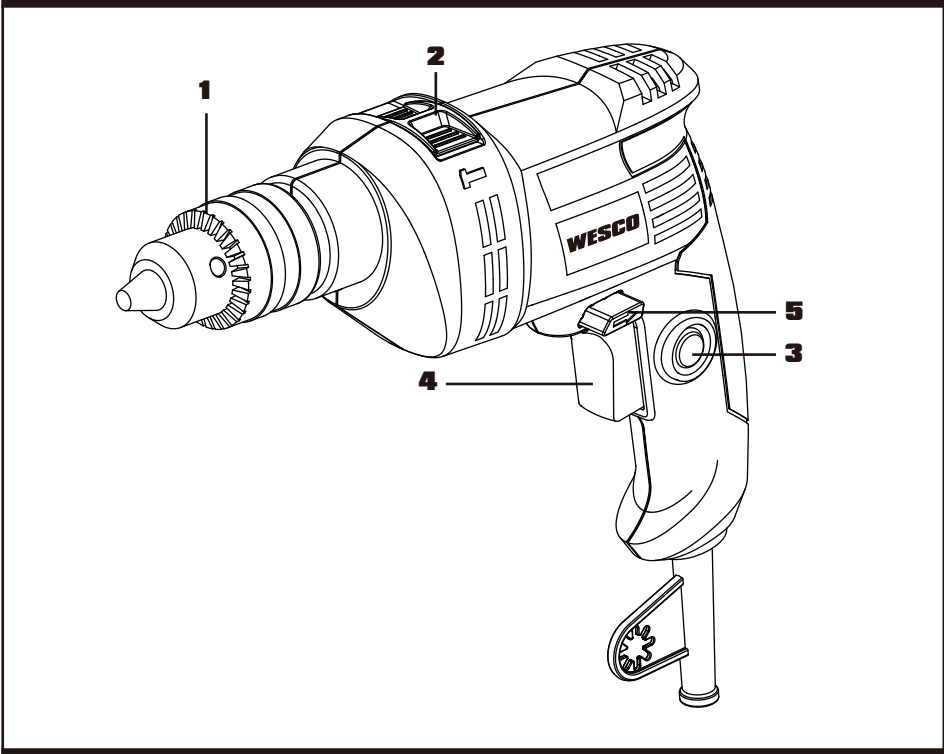
**2** YEAR  
Warranty

• Impact drill	EN	P04
• Schlagbohrmaschine	DE	P09
• Perceuse à percussion	FR	P13
• Trapano a percussione	IT	P17
• Taladro de percusión	ES	P21
• Ударна бормашина	BG	P25

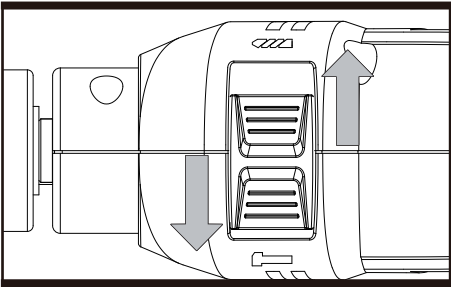
---

<b>Original instructions</b>	<b>EN</b>
<b>Originalbetriebsanleitung</b>	<b>DE</b>
<b>Notice originale</b>	<b>FR</b>
<b>Istruzioni originali</b>	<b>IT</b>
<b>Manual original</b>	<b>ES</b>
<b>Оригинални инструкции</b>	<b>BG</b>

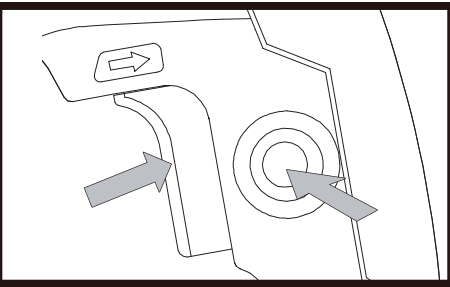
---



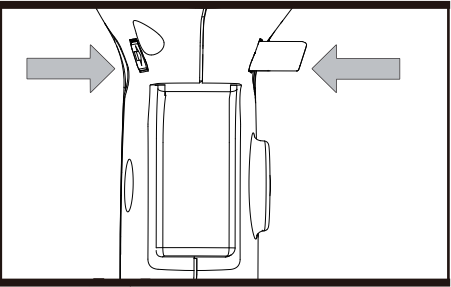
**Fig.A**



**Fig.B**



**Fig.C**



**Fig.D**

# COMPONENT LIST

1. Keyed chuck
2. Drill/impact action selector switch
3. Switch lock-on button
4. On/off switch
5. Forward/reverse selector switch

## TECHNICAL DATA

Type WS3173 (31 - designation of machinery, representative of cordless impact drill)

Rated voltage		230-240V~50Hz
Rated power		550W
No load speed		0-3000/min
Impact rate		0-48000/min
Max drilling capacity	Steel	8mm
	Masonry	10mm
	Wood	25mm
Protection class		□/II
Machine weight		1.50kg

## NOISE INFORMATION

A weighted sound pressure

A weighted sound power

$K_{pA}$  &  $K_{WA}$

**Wear ear protection.**

$L_{pA} = 94$  dB(A)

$L_{WA} = 105$  dB(A)

5.0 dB(A)

## VIBRATION INFORMATION

Vibration total values (triax vector sum) determined according to EN 62841:

Drilling into metal	Vibration emission value $a_{h,d} = 5.51$ m/s <sup>2</sup>
	Uncertainty K = 1.5 m/s <sup>2</sup>
Impact drilling into concrete	Vibration emission value $a_{h,d} = 15.92$ m/s <sup>2</sup>
	Uncertainty K = 1.5 m/s <sup>2</sup>

The declared vibration total value and the declared noise emission value have been measured in accordance with a standard test method and may be used for comparing one tool with another.

The declared vibration total value and the declared noise emission value may also be used in a preliminary assessment of exposure.



**WARNING:** The vibration and noise emissions during actual use of the power tool can differ from the declared value depending on the ways in which the tool is used especially what kind of workpiece is processed dependant on the following examples and other variations on how the tool is used:

How the tool is used and the materials being cut or drilled.

The tool being in good condition and well maintained.

The use of the correct accessory for the tool and ensuring it is sharp and in good condition.

The tightness of the grip on the handles and if any anti vibration and noise accessories are used.

And the tool is being used as intended by its design and these instructions.

This tool may cause hand-arm vibration syndrome if its use is not adequately managed.



**WARNING:** To be accurate, an estimation of exposure level in the actual conditions of use should also take account of all parts of the operating cycle such as the times when the tool is switched off and when it is running idle but not actually doing the job. This may significantly reduce the exposure level over the total working period.

Helping to minimise your vibration and noise exposure risk.

Always use sharp chisels, drills and blades.

Maintain this tool in accordance with these instructions and keep well lubricated (where appropriate).

If the tool is to be used regularly then invest in anti vibration and noise accessories.

Plan your work schedule to spread any high vibration tool use across a number of days.

## ACCESSORIES

Chuck key

1

We recommend that you purchase your accessories listed in the above list from the same store that sold you the tool. Refer to the accessory packaging for further details. Store personnel can assist you and offer advice.

## PRODUCT SAFETY

### GENERAL POWER TOOL SAFETY WARNINGS



**WARNING!** Read all safety warnings, instructions, illustrations and specifications provided with this power tool. Failure to follow all instructions listed below may result in electric shock, fire and/or serious injury.

Save all warnings and instructions for future reference.

The term "power tool" in the warnings refers to your mains-operated (corded) power tool or battery-operated (cordless) power tool.

#### 1. WORK AREA SAFETY

- a) **Keep work area clean and well lit.** Cluttered or dark areas invite accidents.
- b) **Do not operate power tools in explosive atmospheres, such as in the presence of flammable liquids, gases or dust.** Power tools create sparks which may ignite the dust or fumes.
- c) **Keep children and bystanders away while operating a power tool.** Distractions can cause you to lose control.

#### 2. ELECTRICAL SAFETY

- a) **Power tool plugs must match the outlet. Never modify the plug in any way. Do not use any adapter plugs with earthed (grounded) power tools.** Unmodified plugs and matching outlets will reduce risk of electric shock.
- b) **Avoid body contact with earthed or grounded surfaces, such as pipes, radiators, ranges and refrigerators.** There is an increased risk of electric shock if your body is earthed or grounded.
- c) **Do not expose power tools to rain or wet conditions.** Water entering a power tool will increase the risk of electric shock.
- d) **Do not abuse the cord. Never use the cord for carrying, pulling or unplugging the power tool. Keep cord away from heat, oil, sharp edges or moving parts.** Damaged or entangled cords increase the risk of electric shock.
- e) **When operating a power tool outdoors, use an extension cord suitable for outdoor use.** Use of a cord suitable for outdoor use reduces the risk of electric shock.
- f) **If operating a power tool in a damp location is unavoidable, use a residual current device (RCD) protected supply.** Use of an RCD reduces the risk of electric shock.

#### 3. PERSONAL SAFETY

- a) **Stay alert, watch what you are doing and use common sense when operating a power tool. Do not use a power tool while you are tired or under the influence of drugs, alcohol**

**or medication.** A moment of inattention while operating power tools may result in serious personal injury.

- b) **Use personal protective equipment. Always wear eye protection.** Protective equipment such as dust mask, non-skid safety shoes, hard hat, or hearing protection used for appropriate conditions will reduce personal injuries.
  - c) **Prevent unintentional starting. Ensure the switch is in the off-position before connecting to power source and/or battery pack, picking up or carrying the tool.** Carrying power tools with your finger on the switch or energising power tools that have the switch on invites accidents.
  - d) **Remove any adjusting key or wrench before turning the power tool on.** A wrench or a key left attached to a rotating part of the power tool may result in personal injury.
  - e) **Do not overreach. Keep proper footing and balance at all times.** This enables better control of the power tool in unexpected situations.
  - f) **Dress properly. Do not wear loose clothing or jewellery. Keep your hair and clothing away from moving parts.** Loose clothes, jewellery or long hair can be caught in moving parts.
  - g) **If devices are provided for the connection of dust extraction and collection facilities, ensure these are connected and properly used.** Use of dust collection can reduce dust-related hazards.
  - h) **Do not let familiarity gained from frequent use of tools allow you to become complacent and ignore tool safety principles.** A careless action can cause severe injury within a fraction of a second.
- #### 4. POWER TOOL USE AND CARE
- a) **Do not force the power tool. Use the correct power tool for your application.** The correct power tool will do the job better and safer at the rate for which it was designed.
  - b) **Do not use the power tool if the switch does not turn it on and off.** Any power tool that cannot be controlled with the switch is dangerous and must be repaired.
  - c) **Disconnect the plug from the power source and/or remove the battery pack, if detachable, from the power tool before making any adjustments, changing accessories, or storing power tools.** Such preventive safety measures reduce the risk of starting the power tool accidentally.
  - d) **Store idle power tools out of the reach of children and do not allow persons unfamiliar with the power tool or these instructions to operate the power tool.** Power tools are dangerous in the hands of untrained users.
  - e) **Maintain power tools and accessories. Check for misalignment or binding of moving parts, breakage of parts**

and any other condition that may affect the power tool's operation. If damaged, have the power tool repaired before use. Many accidents are caused by poorly maintained power tools.

- f) **Keep cutting tools sharp and clean.** Properly maintained cutting tools with sharp cutting edges are less likely to bind and are easier to control.
  - g) **Use the power tool, accessories and tool bits etc. in accordance with these instructions, taking into account the working conditions and the work to be performed.** Use of the power tool for operations different from those intended could result in a hazardous situation.
  - h) **Keep handles and grasping surfaces dry, clean and free from oil and grease.** Slippery handles and grasping surfaces do not allow for safe handling and control of the tool in unexpected situations.
5. **SERVICE**
- a) **Have your power tool serviced by a qualified repair person using only identical replacement parts.** This will ensure that the safety of the power tool is maintained.

## DRILL SAFETY WARNINGS

- 1) **Safety instructions for all operations**
  - a) **Wear ear protectors when impact drilling.** Exposure to noise can cause hearing loss.
  - b) **Use auxiliary handle(s).** Loss of control can cause personal injury.
  - c) **Hold the power tool by insulated gripping surfaces, when performing an operation where the cutting accessory or fasteners may contact hidden wiring or its own cord.** Cutting accessory or fasteners contacting a "live" wire may make exposed metal parts of the power tool "live" and could give the operator an electric shock.
- 2) **Safety instructions when using long drill bits**
  - a) **Never operate at higher speed than the maximum speed rating of the drill bit.** At higher speeds, the bit is likely to bend if allowed to rotate freely without contacting the workpiece, resulting in personal injury.
  - b) **Always start drilling at low speed and with the bit tip in contact with the workpiece.** At higher speeds, the bit is likely to bend if allowed to rotate freely without contacting the workpiece, resulting in personal injury.
  - c) **Apply pressure only in direct line with the bit and do not apply excessive pressure.** Bits can bend causing breakage or loss of control, resulting in personal injury.

## SYMBOLS



To reduce the risk of injury, user must read instruction manual



Wear eye protection



Wear ear protection



Wear dust mask



Warning



Double insulation



Waste electrical products must not be disposed of with household waste. Please recycle where facilities exist. Check with your local authorities or retailer for recycling advice.

## OPERATION INSTRUCTIONS



**NOTE:** Before using the tool, read the instruction book carefully.

### 1. INSERTING A BIT INTO THE CHUCK (SEE FIG. A)



**WARNING:** Remove the plug from the socket before carrying out any adjustment, servicing or maintenance.

When mounting the drill bit, insert bit into the chuck jaws as far as it will go. Ensure drill bit is in the center of the chuck jaws. Using the chuck key provided, there are three holes in which the chuck key should be inserted. Tighten them equally in turn at each of the three holes, not just at one hole. Your drill bit is now locked in the chuck. The bit can be removed by reversing the above procedure.

### 2. HAMMER OR DRILLING CHANGE (SEE FIG. B)

When drilling masonry and concrete, choose the hammer position "T". When drilling in wood, metal and plastic, choose the drill position "S".

### 3. ON/OFF SWITCH

Depress the switch to start the tool and release it to stop your tool.

### 4. SWITCH LOCK-ON BUTTON (SEE FIG. C)

Depress on/off switch then lock-on button. Your switch is now locked on for continuous use. To switch off your tool just depress and release the on/off switch.

### 5. VARIABLE SPEED CONTROL

This tool has a variable speed switch that delivers higher speeds with increased On/Off switch pressure or delivers lower speeds with reduced On/Off switch pressure - speed is controlled by varying the pressure applied to the switch.

### 6. FORWARD AND REVERSE ROTATION CONTROL (SEE FIG. D)

To change the rotational direction, push the forward/ reverse selector switch to the right position (as viewed from the front of the drill). The rotation will now be forward rotation. Push the forward/ reverse selector switch to the left position. The rotation will be backward rotation.



**WARNING:** Never change the direction of rotation when the tool is rotating, wait until it has stopped.

## WORKING HINTS FOR YOUR DRILL

### 1. DRILLING MASONRY AND CONCRETE

Select the drill/impact action selector switch to the "T" position. Tungsten carbide drill bits should always be used for drilling masonry, concrete etc with a high speed.

## 2. DRILLING STEEL

Select the drill/impact action selector switch to the "S" position. HSS drill bits should always be used for drilling steel with a lower speed.

## 3. PILOT HOLES

When drilling a large hole in tough material (i.e. steel), we recommend drilling a small pilot hole first before using a large drill bit.

## 4. DRILLING TILES

Select the drill/impact action selector switch to the "S" position to drill the tile. When tile has been penetrated, switch over to "T" position.

## 5. COOL THE MOTOR

If your power tool becomes too hot, set the speed to maximum and run no load for 2-3 minutes to cool the motor.

## MAINTAINACE

**Remove the plug from the socket before carrying out any adjustment, servicing or maintenance.**

There are no user serviceable parts in your power tool. Never use water or chemical cleaners to clean your power tool. Wipe clean with a dry cloth. Always store your power tool in a dry place. Keep the motor ventilation slots clean. Keep all working controls free of dust. Occasionally you may see sparks through the ventilation slots. This is normal and will not damage your power tool. If the supply cord is damaged, it must be replaced by the manufacturer, its service agent or similarly qualified persons in order to avoid a hazard.

## ENVIRONMENTAL PROTECTION



Waste electrical products must not be disposed of with household waste. Please recycle where facilities exist. Check with your local authorities or retailer for recycling advice.

## PLUG REPLACEMENT (ONLY FOR REWIRABLE PLUG OF UK & IRELAND)

If you need to replace the fitted plug then follow the instructions below.

### IMPORTANT

The wires in the mains lead are colored in accordance with the following code:

Blue = Neutral

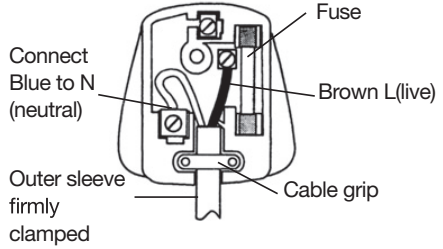
Brown = Live

As the colors of the wires in the mains lead of this appliance may not correspond with the colored markings identifying the terminals in your plug, proceed as follows. The wire which is colored blue must be connected to the terminal which is marked with N. The wire which is colored brown must be connected to the terminal which is marked with L.

### Warning!

Never connect live or neutral wires to the earth terminal of the plug. Only fit an approved 13ABS1363/A plug and the correct rated fuse.

**Note:** If a moulded plug is fitted and has to be removed take great care in disposing of the plug and severed cable, it must be destroyed to prevent engaging into a socket.



## DECLARATION OF CONFORMITY

We,  
POSITEC Germany GmbH  
Postfach 32 02 16, 50796 Cologne, Germany

On behalf of Positec declare that the product  
Description **Impact drill**  
Type designation **WS3173 (31 - designation of machinery, representative of impact drill)**  
Function **Boring holes in various materials**

Complies with the following Directives,  
**2006/42/EC, 2014/30/EU, 2011/65/EU&(EU)2015/863**

Standards conform to  
**EN 62841-1, EN 62841-2-1, EN 55014-1, EN 55014-2, EN IEC 61000-3-2, EN 61000-3-3**

The person authorized to compile the technical file,  
Name **Marcel Filz**  
Address **POSITEC Germany GmbH**  
Postfach 32 02 16, 50796 Cologne, Germany



2023/2/11  
Allen Ding  
Deputy Chief Engineer, Testing & Certification  
Positec Technology (China) Co., Ltd  
18, Dongwang Road, Suzhou Industrial  
Park, Jiangsu 215123, P. R. China

## DECLARATION OF CONFORMITY(UK)

We,  
Positec Power Tools (Europe) Ltd,  
PO Box 6242, Newbury, RG14 9LT, UK

On behalf of Positec declare that the product  
Description **Impact drill**  
Type designation **WS3173 (31 - designation of machinery, representative of impact drill)**  
Function **Boring holes in various materials**

Complies with the following regulations:

**Supply of Machinery (Safety) Regulations 2008  
Electromagnetic Compatibility Regulations 2016  
The Restriction of the Use of Certain Hazardous Substances in  
Electrical and Electronic Equipment Regulations**

Standards conform to

**BS EN 62841-1, BS EN 62841-2-1, BS EN 55014-1,  
BS EN 55014-2, BS EN IEC 61000-3-2, BS EN 61000-3-3**

The person authorized to compile the technical file,

**Name** Jim Kirkwood  
**Address** Positec Power Tools (Europe) Ltd,  
PO Box 6242, Newbury, RG14 9LT, UK



2023/2/11

Allen Ding

Deputy Chief Engineer, Testing & Certification

Positec Technology (China) Co., Ltd

18, Dongwang Road, Suzhou Industrial

Park, Jiangsu 215123, P. R. China



# KOMPONENTENLISTE

1. Zahnkranzbohrfutter
2. Bohrer / hammer-bohrfunktionswahlschalter
3. Arretierungsknopf
4. Ein/aus-schalter
5. Vorwärts-rückwärtslauf-regelung

## TECHNISCHE DATEN

Type WS3173 (31 - Bezeichnung der Maschine, Repräsentant die Schlagbohrmaschine)

Nennspannung		230-240V-50Hz
Eingangsleistung		550W
Leerlaufnendrehzahl		0-3000/min
Nennschlagzahl		0-48000/min
Maximaler Bohrdurchmesser in	Stahl	8mm
	Stein	10mm
	Holz	25mm
Zweifach isoliert		□/II
Gewicht		1.50kg

## INFORMATIONEN ÜBER LÄRM

Gewichteter Schalldruck

Gewichtete Schalleistung

$K_{\text{sk}}$  &  $K_{\text{nk}}$

Tragen Sie einen Gehörschutz.

$L_{\text{PA}} = 94 \text{ dB(A)}$

$L_{\text{WA}} = 105 \text{ dB(A)}$

5.0 dB(A)

## INFORMATIONEN ÜBER VIBRATIONEN

Vibrations Gesamt Messwertermittlung gemäß EN 62841:

Bohren in Metall	Vibrationsemissionswert $a_{\text{h,d}} = 5.51 \text{ m/s}^2$
	Unsicherheit $K = 1.5 \text{ m/s}^2$
Schlagbohren in Beton	Vibrationsemissionswert $a_{\text{h,d}} = 15.92 \text{ m/s}^2$
	Unsicherheit $K = 1.5 \text{ m/s}^2$

Der angegebene Vibrationsgesamtwert kann und der angegebene Vibrationsemissionswert wurden gemäß Standardprüfverfahren gemessen und können zum Vergleichen eines Werkzeug mit einem anderen verwendet werden.

Der angegebene Vibrationsgesamtwert und der angegebene Vibrationsemissionswert können auch für eine anfängliche Beurteilung der Beeinträchtigung verwendet werden.



**WARNUNG:** Die Vibrations- und Lärmemissionen bei der eigentlichen Nutzung des Elektrowerkzeugs können vom angegebenen Wert abweichen, je nachdem, wie das Werkzeug verwendet wird und insbesondere abhängig davon, welcher Werkstücktyp verarbeitet wird, und abhängig von folgenden Beispielen und verschiedenen Einsatzmöglichkeiten des Werkzeugs:

Wie das Werkzeug verwendet wird und Materialien geschnitten oder angebohrt werden.

Das Werkzeug ist in gutem Zustand und gut gepflegt.

Verwendung des richtigen Zubehörs für das Werkzeug und Gewährleistung seiner Schärfe und seines guten Zustands.

Die Festigkeit des Griffs auf den Handgriffen und, falls Antivibrations- und Lärmschutzzubehör verwendet wird.

Und ob das verwendete Werkzeug dem Design und diesen Anweisungen entsprechend verwendet wird.

Wird dieses Werkzeug nicht angemessen gehandhabt, kann es ein Hand-Arm-Vibrationssyndrom erzeugen.



**WARNUNG:** Um genau zu sein, sollte eine Abschätzung des Belastungsgrades aller Arbeitsabschnitte während tatsächlicher Verwendung berücksichtigt werden, z.B. die Zeiten, wenn das Werkzeug ausgeschaltet ist, und wenn es sich im Leerlauf befindet und eigentlich nicht eingesetzt wird. Auf diese Weise kann der Belastungsgrad während der gesamten Arbeitszeit wesentlich gemindert werden. Hilft dabei, das Risiko der Vibrations- und Lärmbelastung zu minimieren. Verwenden Sie **IMMER** scharfe Meißel, Bohrer und Sägeblätter. Pflegen Sie dieses Werkzeug diesen Anweisungen entsprechend und achten Sie auf eine gute Einfettung (wo erforderlich). Falls das Werkzeug regelmäßig verwendet werden soll, investieren Sie in Antivibrations- und Lärmschutzzubehör. Machen Sie einen Arbeitsplan, um die Verwendung von hochvibrierenden Werkzeugen auf mehrere Tage zu verteilen.

## ZUBEHÖRTEILE

Futterschlüssel

1

Wir empfehlen, dass Sie Ihr Zubehör in dem Geschäft kaufen, in dem Sie das Werkzeug verkauft haben. Weitere Einzelheiten finden Sie in der Verpackung des Zubehörs. Das Ladenpersonal kann Ihnen behilflich sein und Ratschläge geben.

## PRODUKTSICHERHEIT ALLGEMEINE SICHERHEITSHINWEISE FÜR ELEKTROWERKZEUGE



**WARNUNG!** Machen Sie sich mit allen Sicherheitswarnungen, Anweisungen, Abbildungen und Spezifikationen vertraut, die mit diesem Elektrowerkzeug geliefert werden. Die Nichtbeachtung der unten aufgeführten Anweisungen kann in elektrischen Schlägen, Feuer und/oder schweren Verletzungen resultieren.

**Bewahren Sie alle Sicherheitshinweise und Anweisungen für die Zukunft auf.**

Der in den Sicherheitshinweisen verwendete Begriff „Elektrowerkzeug“ bezieht sich auf akkubetriebene Elektrowerkzeuge (ohne Netzkabel).

### 1. ARBEITSPLATZSICHERHEIT

- Halten Sie Ihren Arbeitsbereich sauber und gut beleuchtet.** Unordnung oder unbeleuchtete Arbeitsbereiche können zu Unfällen führen.
- Arbeiten Sie mit dem Elektrowerkzeug nicht in explosionsgefährdeter Umgebung, in der sich brennbare Flüssigkeiten, Gase oder Stäube befinden.** Elektrowerkzeuge erzeugen Funken, die den Staub oder die Dämpfe entzünden können.
- Halten Sie Kinder und andere Personen während der Benutzung des Elektrowerkzeugs fern.** Bei Ablenkung können Sie die Kontrolle über das Gerät verlieren.

### 2. ELEKTRISCHE SICHERHEIT

- Der Anschlussstecker des Elektrowerkzeuges muss in die Steckdose passen.** Der Stecker darf in keiner Weise verändert werden. Verwenden Sie keine Adapterstecker gemeinsam mit Schutzgeerdeten Elektrowerkzeugen. Unveränderte Stecker und passende Steckdosen verringern das Risiko eines elektrischen Schlages.
- Vermeiden Sie Körperkontakt mit geerdeten Oberflächen wie von Rohren, Heizungen, Herden und Kühlschränken.** Es besteht ein erhöhtes Risiko durch elektrischen Schlag, wenn Ihr Körper geerdet ist.
- Halten Sie Elektrowerkzeuge von Regen oder Nässe fern.** Das Eindringen von Wasser in ein Elektrowerkzeug erhöht das Risiko eines elektrischen Schlages.
- Zweckentfremden Sie das Kabel nicht, um das Elektrowerkzeug zu tragen, aufzuhängen oder um den Stecker aus der Steckdose zu ziehen.** Halten Sie das Kabel fern von

Hitze, Öl, scharfen Kanten oder sich bewegenden Geräteteilen. Beschädigte oder verwickelte Kabel erhöhen das Risiko eines elektrischen Schlages.

- Wenn Sie mit einem Elektrowerkzeug im Freien arbeiten, verwenden Sie nur Verlängerungskabel, die auch für den Außenbereich geeignet sind.** Die Anwendung eines für den Außenbereich geeigneten Verlängerungskabels verringert das Risiko eines elektrischen Schlages.
- Wenn der Betrieb des Elektrowerkzeuges in feuchter Umgebung nicht vermeidbar ist, verwenden Sie einen Fehlerstromschutzschalter.** Der Einsatz eines Fehlerstromschutzschalters vermindert das Risiko eines elektrischen Schlages.

### 3. SICHERHEIT VON PERSONEN

- Seien Sie aufmerksam, Achten Sie darauf, was Sie tun, und gehen Sie mit Vernunft an die Arbeit mit einem Elektrowerkzeug.** Benutzen Sie kein Elektrowerkzeug, wenn Sie müde sind oder unter dem Einfluss von Drogen, Alkohol oder Medikamenten stehen. Ein Moment der Unachtsamkeit beim Gebrauch des Elektrowerkzeuges kann zu ernsthaften Verletzungen führen.
- Tragen Sie persönliche Schutzausrüstung und immer eine Schutzbrille.** Das Tragen persönlicher Schutzausrüstung, wie Staubmaske, rutschfeste Sicherheitsschuhe, Schutzhelm oder Gehörschutz, je nach Art und Einsatz des Elektrowerkzeuges, verringert das Risiko von Verletzungen.
- Vermeiden Sie eine unbeabsichtigte Inbetriebnahme.** Vergewissern Sie sich, dass das Elektrowerkzeug ausgeschaltet ist, bevor Sie es an den Akku anschließen, es aufnehmen oder tragen. Wenn Sie beim Tragen des Elektrowerkzeuges den Finger am Schalter haben oder das Gerät eingeschaltet an die Stromversorgung anschließen, kann dies zu Unfällen führen.
- Entfernen Sie Einstellwerkzeuge oder Schraubenschlüssel, bevor Sie das Elektrowerkzeug einschalten.** Ein Werkzeug oder Schlüssel, der sich in einem drehenden Geräteteil befindet, kann zu Verletzungen führen.
- Vermeiden Sie eine abnormale Körperhaltung.** Sorgen Sie für einen sicheren Stand und halten Sie jederzeit das Gleichgewicht. Dadurch können Sie das Elektrowerkzeug in unerwarteten Situationen besser kontrollieren.
- Tragen Sie geeignete Kleidung.** Tragen Sie keine weite Kleidung oder Schmuck. Halten Sie Haare und Kleidung fern von sich bewegenden Teilen. Lockere Kleidung, Schmuck oder lange Haare können von sich bewegenden Teilen erfasst werden.
- Wenn Staubabsaug- und -auffangeinrichtungen montiert werden können, vergewissern Sie sich, dass diese angeschlossen sind und richtig verwendet werden.**

Verwendung einer Staubabsaugung kann Gefährdungen durch Staub verringern.

- h) Vermeiden Sie, durch die häufige Nutzung des Werkzeugs in einen Trott zu verfallen und Prinzipien für die Werkzeugsicherheit zu ignorieren. Eine unachtsame Aktion kann im Bruchteil einer Sekunde zu schweren Verletzungen führen.

#### 4. VERWENDUNG UND BEHANDLUNG DES ELEKTROWERKZEUGES

- a) Überlasten Sie das Gerät nicht. Verwenden Sie für Ihre Arbeit das dafür bestimmte Elektrowerkzeug. Mit dem passenden Elektrowerkzeug arbeiten Sie besser und sicherer im angegebenen Leistungsbereich.
- b) Benutzen Sie kein Elektrowerkzeug, dessen Schalter defekt ist. Ein Elektrowerkzeug, das sich nicht mehr ein- oder ausschalten lässt, ist gefährlich und muss repariert werden.
- c) Klemmen Sie den Stecker von der Stromversorgung ab und/oder entfernen Sie den Akku (falls abnehmbar) aus dem Elektrowerkzeug, bevor Sie Geräteeinstellungen vornehmen, Zubehörteile wechseln oder das Gerät weglegen. Diese Vorsichtsmaßnahme verhindert den unbeabsichtigten Start des Elektrowerkzeuges.
- d) Bewahren Sie unbenutzte Elektrowerkzeuge außerhalb der Reichweite von Kindern auf. Lassen Sie Personen das Gerät nicht benutzen, die mit diesem nicht vertraut sind oder diese Anweisungen nicht gelesen haben. Elektrowerkzeuge sind gefährlich, wenn Sie von unerfahrenen Personen benutzt werden.
- e) Warten Sie die Elektrowerkzeuge und Zubehör. Kontrollieren Sie, ob bewegliche Teile einwandfrei funktionieren und nicht klemmen, ob Teile gebrochen oder so beschädigt sind, dass die Funktion des Elektrowerkzeuges beeinträchtigt ist. Lassen Sie beschädigte Teile vor dem Einsatz des Gerätes reparieren. Viele Unfälle haben ihre Ursache in schlecht gewarteten Elektrowerkzeugen.
- f) Halten Sie Schneidwerkzeuge scharf und sauber. Sorgfältig gepflegte Schneidwerkzeuge mit scharfen Schneidkanten verklemmen sich weniger und sind leichter zu führen.
- g) Verwenden Sie Elektrowerkzeug, Zubehör, Einsatzwerkzeuge usw. entsprechend diesen Anweisungen. Berücksichtigen Sie dabei die Arbeitsbedingungen und die auszuführende Tätigkeit. Der Gebrauch von Elektrowerkzeugen für andere als die vorgesehenen Anwendungen kann zu gefährlichen Situationen führen.
- h) Halten Sie die Griffe trocken, sauber und frei von Öl und Fett. Rutschige Griffe und Oberflächen unterbinden die sichere Bedienbarkeit und Kontrolle über das Werkzeug in unerwarteten Situationen.

#### 5. SERVICE

- a) Lassen Sie Ihr Elektrowerkzeug nur von qualifiziertem Fachpersonal und nur mit Original-Ersatzteilen reparieren. Damit wird sichergestellt, dass die Sicherheit des Gerätes erhalten bleibt.

## ZUSÄTZLICHE SICHERHEITSHINWEISE FÜR AKKU- BOHRSCRAUBER

- 1) Sicherheitshinweise für alle Betriebe
- a) Tragen Sie Gehörschutz. Wenn Sie die Schlagbohrmaschine benutzen. Lärmaussetzung kann Hörverlust verursachen.
- b) Benutzen Sie die mit dem Elektrowerkzeug mitgelieferten Zusatzgriffe. Der Verlust der Kontrolle über das Elektrowerkzeug kann zu Verletzungen führen.
- c) Halten Sie das Werkzeug an den isolierten Griffen, wenn die Gefahr besteht, dass Sie beim Arbeiten in Wänden, Decken

usw. verborgene Leitungen oder das Netzkabel berühren könnten. Metallteile am Werkzeug, die mit stromführenden Drähten in Berührung kommen, werden selbst stromführend und können der Bedienperson einen elektrischen Schlag versetzen.

#### 2) Sicherheitshinweise bei Verwendung langer Bohrer

- a) Bedienen Sie niemals mit einer Geschwindigkeit, die höher als die maximale Nenndrehzahl des Bohrers ist. Wenn der Bohrer bei höheren Geschwindigkeiten eine freie Drehung ohne Kontakt mit dem Werkstück zulässig ist, kann es verbogen werden, was zu Verletzungen führen kann.
- b) Beginnen Sie das Bohren immer mit niedriger Geschwindigkeit, wobei die Bohrerspitze in Kontakt mit dem Werkstück. Wenn der Bohrer bei höheren Geschwindigkeiten eine freie Drehung ohne Kontakt mit dem Werkstück zulässig ist, kann es verbogen werden, was zu Verletzungen führen kann.
- c) Üben Sie nur Druck aus, wenn Sie in direkter Linie mit dem Bohrer sind und keinen übermäßigen Druck ausüben. Der Bohrer kann verbogen werden, was zu einem Bruch oder Verlust der Kontrolle und zu Verletzungen führen kann.

## SYMBOLE



Zur Reduzierung der Verletzungsgefahr bitte die Bedienungsanleitung durchlesen



Tragen Sie eine Schutzbrille



Tragen Sie einen Gehörschutz



Tragen Sie eine Staubmaske



Warnung



Schutzisolation



Elektroprodukte dürfen nicht mit dem normalen Haushaltsmüll entsorgt werden, sondern sollten nach Möglichkeit zu einer Recyclingstelle gebracht werden. Ihre zuständigen Behörden oder Ihr Fachhändler geben Ihnen hierzu gerne Auskunft.

## HINWEISE ZUM BETRIEB



**HINWEIS:** Lesen Sie das Handbuch vor Inbetriebnahme des Werkzeuges sorgfältig durch.

#### 1. BOHRER IN DAS BOHRFUTTER EINSETZEN (SIEHE ABB. A)



**WARNUNG:** Ziehen Sie grundsätzlich den Netzstecker, bevor Sie Einstell-, Reparatur- oder Wartungstätigkeiten ausführen.

Beim Einsetzen des Bohrers führen Sie den Bohrer bis zum Anschlag in die Spannbacken des Bohrfutters ein. Stellen Sie sicher, dass sich der Bohrer in der Mitte der Spannbacken befindet. Verwenden Sie den mitgelieferten Bohrfutterschlüssel. Es gibt drei Löcher, in die der Bohrfutterschlüssel eingeführt werden muss. Ziehen Sie ihn abwechselnd an jedem der drei Löcher gleichmäßig fest, nicht nur an einem Loch. Ihr Bohrer ist nun im Bohrfutter

verriegelt. Der Bohrer kann in umgekehrter Reihenfolge wieder entfernt werden.

## 2. BOHRER / HAMMER-BOHRFUNKTIONSWAHLSCHALTER (SIEHE ABB. B)

Wählen Sie in Diamant und Beton die Position " **T** ". Wählen Sie beim Bohren von Holz, Metall und Kunststoff die Position " **S** ".

## 3. EIN/AUS-SCHALTER

Drücken Sie, um das Werkzeug zu starten und lassen Sie los, um es abzuschalten.

## 4. EINSCHALTSPERRE (SIEHE ABB. C)


Drücken Sie den An/Aus-Schalter und dann die Einschaltsperrle. Lassen Sie zuerst den An/Aus-Schalter und dann die Einschaltsperrle los. Ihr Schalter ist nun im Dauerbetrieb eingerastet. Um Ihr Werkzeug abzuschalten, drücken Sie einfach den An/Aus-Schalter und lassen Sie ihn wieder los.

## 5. SCHALTER FÜR VARIABLE DREHZAHLEUERUNG

Das Werkzeug verfügt über einen Schalter mit variabler Geschwindigkeit, der eine höhere Geschwindigkeit durch Erhöhen des Auslösedrucks oder eine niedrigere Geschwindigkeit durch Verringern des Auslösedrucks bereitstellt, wobei die Geschwindigkeit durch Ändern des auf den Schalter ausgeübten Drucks gesteuert wird.

## 6. VORWÄRTS-RÜCKWÄRTSLAUF-REGELUNG (SIEHE ABB. D)

Um die Drehrichtung zu ändern, schieben den Vorwärts- / Rückwärtswahlschalter in die richtige Position (von der Vorderseite des Bohrers aus gesehen). Die Drehung ist jetzt Vorwärtsdrehung. Schieben den Vorwärts- / Rückwärtswahlschalter in die linke Position. Die Drehung erfolgt rückwärts.

 **WARNUNG:** ändern sie niemals die drehrichtung, während sich das werkzeug dreht. Warten sie, bis es zum stillstand kommt.

## ARBEITSTIPPS FÜR IHR WERKZEUG

### 1. BOHREN IN MAUERWERK UND BETON

Wählen Sie den Auswahlschalter für Bohrer / Hammerbohrer auf die Position " **T** ". Wolframkarbidbohrer sollten immer für Hochgeschwindigkeitsdiamanten, Beton und andere verwendet werden.

### 2. BOHRSTAHL

Wählen Sie den Auswahlschalter für Bohrer / Hammerbohrer auf die Position " **S** ". HSS-Bohrer sollten immer für Stahlbohrungen mit niedrigerer Geschwindigkeit verwendet werden.

### 3. PILOTLÖCHER

Wenn Sie ein großes Loch in ein hartes Material (z. B. Stahl) bohren, empfehlen wir, ein kleines Pilotloch zu bohren, bevor Sie einen großen Bohrer verwenden.

### 4. BOHRFLIESEN

Wählen Sie den Auswahlschalter für Bohrer / Hammerbohrer auf die Position " **S** " um die Fliese zu bohren. Wenn die Fliese eingedrungen ist, wechseln Sie in die Position " **T** ".

### 5. KÜHLEN SIE DEN MOTOR


Wenn Ihr Elektrowerkzeug überhitzt, stellen Sie die Geschwindigkeit auf Maximum und lassen Sie es 2-3 Minuten im Leerlauf, um den Motor abzukühlen.

## WARTUNG

**Ziehen Sie grundsätzlich den Netzstecker, bevor Sie Einstell-, Reparatur- oder Wartungstätigkeiten ausführen.**

Ihr Werkzeug benötigt keine zusätzliche Schmierung oder Wartung. Es enthält keine Teile, die Sie warten müssen. Reinigen Sie Ihr Werkzeug niemals mit Wasser oder chemischen Lösungsmitteln. Wischen Sie es mit einem trockenen Tuch sauber. Lagern Sie Ihr Werkzeug immer an einem trockenen Platz. Sorgen Sie dafür, dass bei staubigen Arbeiten die Lüftungsöffnungen frei sind. Gelegentlich sind durch die Lüftungsschlitze hindurch Funken zu sehen. Dies ist normal und wird Ihr Werkzeug nicht beschädigen. Falls das Netzkabel beschädigt sein sollte, muss es vom Hersteller, einem seiner Service-Beauftragten oder einer ähnlich qualifizierten Person instandgesetzt werden, damit es nicht zu Gefährdungen kommt.

## UMWELTSCHUTZ

 Elektroprodukte dürfen nicht mit dem normalen Haushaltsmüll entsorgt werden, sondern sollten nach Möglichkeit zu einer Recyclingstelle gebracht werden. Ihre zuständigen Behörden oder Ihr Fachhändler geben Ihnen hierzu gerne Auskunft.

## KONFORMITÄTSEKLÄRUNG

Wir,  
POSITEC Germany GmbH  
Postfach 32 02 16, 50796 Cologne, Germany

erklären hiermit, dass unser Produkt  
Beschreibung: **Schlagbohrmaschine**  
Typ: **WS3173 (31 - Bezeichnung der Maschine, Repräsentant Schlagbohrmaschine)**  
Funktionen: **Bohren von Löchern in verschiedenen Materialien**

den Bestimmungen der folgenden Richtlinien entspricht:  
2006/42/EC, 2014/30/EU, 2011/65/EU&(EU)2015/863

Werte nach:  
**EN 62841-1, EN 62841-2-1, EN 55014-1, EN 55014-2, EN IEC 61000-3-2, EN 61000-3-3**

Zur Kompilierung der technischen Datei ermächtigte Person  
Name **Marcel Filz**  
Anschrift: **POSITEC Germany GmbH**  
Postfach 32 02 16, 50796 Cologne, Germany



2023/2/11  
Allen Ding  
Stellvertretender Chefsingenieur,  
Prüfung und Zertifizierung  
Positec Technology (China) Co., Ltd  
18, Dongwang Road, Suzhou Industrial  
Park, Jianguo 215123, P. R. China



# LISTE DES COMPOSANTS

1. Mandrin à clé
2. Sélecteur de fonction de perceuse / marteau
3. Bouton de verrouillage
4. Bouton on / off
5. Commande de rotation avant et inversee

## CARACTÉRISTIQUES TECHNIQUES

Modèle WS3173 (31 - désignations des pièces, illustration de la perceuse à percussion)

Tension nominale		230-240V~50Hz
Puissance nominale		550W
Vitesse a vide nominale		0-3000/min
Cadence de frappe nominale		0-48000/min
Capacité max. de perçage dans	Acier	8mm
	Béton	10mm
	Bois	25mm
Classe de protection		□/II
Poids de la machine		1.50kg

## INFORMATIONS RELATIVES AU BRUIT

Niveau de pression acoustique pondéré A  
Niveau de puissance acoustique pondéré A  
 $K_{PA}$  &  $K_{WA}$   
Porter une protection pour les oreilles.

$L_{PA} = 94$  dB(A)  
 $L_{WA} = 105$  dB(A)  
5.0 dB(A)

## INFORMATIONS RELATIVE AUX VIBRATIONS

Valeurs totales de vibration (somme du vecteur triaxial) déterminées selon la norme EN 62841:

Perçage dans le métal	Valeur d'émission de vibrations $a_{h,0} = 5.51$ m/s <sup>2</sup>
	Incertitude K = 1.5 m/s <sup>2</sup>
Perçage par percussion dans le béton	Valeur d'émission de vibrations $a_{h,0} = 15.92$ m/s <sup>2</sup>
	Incertitude K = 1.5 m/s <sup>2</sup>

La valeur totale de vibration déclarée et la valeur d'émission de bruit déclarée ont été mesurées conformément à la méthode d'essai standard et peuvent être utilisées pour comparer un outil à un autre.

La valeur totale de vibration déclarée et la valeur d'émission de bruit déclarée peuvent également être utilisées lors d'une évaluation préliminaire de l'exposition.



**AVERTISSEMENT:** les vibrations et les émissions de bruit au cours de l'utilisation réelle de l'outil électrique peuvent varier de la valeur déclarée en fonction du mode d'utilisation de l'outil, en particulier du type de pièce traité selon les exemples suivants et d'autres variations concernant le mode d'utilisation de l'outil:

Comment l'outil est utilisé et quels matériaux sont coupés ou percés.

L'outil est en bon état et bien entretenu.

L'utilisation du bon accessoire pour l'outil et l'assurance qu'il est affûté et en bon état.

La force avec laquelle vous serrez les poignées et l'utilisation éventuelle d'un quelconque accessoire anti-bruit et anti-vibration.

Et l'outil est utilisé comme prévu dans sa conception et dans les présentes instructions.

Cet outil peut causer un syndrome de vibration du bras et de la main s'il n'est pas correctement géré.



**AVERTISSEMENT:** Pour être précise, une évaluation du niveau d'exposition en conditions réelles d'utilisation doit également tenir compte de toutes les parties du cycle d'utilisation telles que les moments où l'outil est éteint, et ceux où il fonctionne au ralenti mais ne réalise pas réellement de tâche. Ceci peut réduire de façon significative le niveau d'exposition et la période de fonctionnement totale.

Facteurs contribuant à minimiser votre risque d'exposition aux vibrations et au bruit.

Utilisez TOUJOURS des ciseaux, des forets et des lames affûtés.

Entretenez cet outil en accord avec les présentes instructions et maintenez-le lubrifié (si approprié).

Si l'outil doit être fréquemment utilisé, investissez dans des accessoires anti-bruit et anti-vibration.

Planifiez votre travail pour étaler toute utilisation d'outil à fortes vibrations sur plusieurs jours.

## ACCESSOIRES

Clé de mandrin

1

Nous recommandons d'acheter tous les accessoires dans le magasin d'acquisition de l'outil. Pour plus d'informations, se référer à l'emballage des accessoires. Le personnel du magasin est également là pour vous conseiller.

## SÉCURITÉ DU PRODUIT AVERTISSEMENTS DE SÉCURITÉ GÉNÉRAUX POUR L'OUTIL



**AVERTISSEMENT!** Lire l'ensemble des mises en garde, instructions, illustrations et spécifications fourni avec cet outil électrique. Ne pas suivre toutes les instructions énumérées ci-dessous peut conduire à une électrocution, un incendie et / ou des blessures graves.

Conserver tous les avertissements et toutes les instructions pour pouvoir s'y reporter ultérieurement.

Le terme «outil» dans les avertissements fait référence à votre outil électrique alimenté par le secteur (avec cordon d'alimentation) ou votre outil fonctionnant sur batterie (sans cordon d'alimentation).

### 1. SÉCURITÉ DE LA ZONE DE TRAVAIL

- Conservation de la zone de travail propre et bien éclairée. Les zones en désordre ou sombres sont propices aux accidents.
- Ne pas faire fonctionner les outils électriques en atmosphère explosive, par exemple en présence de liquides inflammables, de gaz ou de poussières. Les outils électriques produisent des étincelles qui peuvent enflammer les poussières ou les fumées.
- Maintenir les enfants et les personnes présentes à l'écart pendant l'utilisation de l'outil. Les distractions peuvent vous faire perdre le contrôle de l'outil.

### 2. SÉCURITÉ ÉLECTRIQUE

- Il faut que les fiches de l'outil électrique soient adaptées au socle. Ne jamais modifier la fiche de quelque façon que ce soit. Ne pas utiliser d'adaptateurs avec des outils à branchement de terre. Des fiches non modifiées et des socles adaptés réduiront le risque de choc électrique.
- Éviter tout contact du corps avec des surfaces reliées à la terre telles que les tuyaux, les radiateurs, les cuisinières et les réfrigérateurs. Il existe un risque accru de choc électrique si votre corps est relié à la terre.
- Ne pas exposer les outils à la pluie ou à des conditions humides. La pénétration d'eau à l'intérieur d'un outil augmentera le risque de choc électrique.
- Ne pas maltraiter le cordon. Ne jamais utiliser le cordon pour porter, tirer ou débrancher l'outil. Maintenir le cordon à l'écart de la chaleur, du lubrifiant, des arêtes ou des parties en mouvement. Des cordons endommagés ou emmêlés

augmentent le risque de choc électrique.

- Lorsqu'on utilise un outil à l'extérieur, utiliser un prolongateur adapté à l'utilisation extérieure. L'utilisation d'un cordon adapté à l'utilisation extérieure réduit le risque de choc électrique.
- Si l'usage d'un outil dans un emplacement humide est inévitable, utiliser une alimentation protégée par un dispositif à courant différentiel résiduel (DDR). L'usage d'un DDR réduit le risque de choc électrique.

### 3. SÉCURITÉ DES PERSONNES

- Restez vigilant, regardez ce que vous êtes en train de faire et faites preuve de bon sens dans votre utilisation de l'outil. Ne pas utiliser un outil lorsque vous êtes fatigué ou sous l'emprise de drogues, d'alcool ou de médicaments. Un moment d'inattention en cours d'utilisation d'un outil peut entraîner des blessures graves des personnes.
- Utiliser un équipement de sécurité. Toujours porter une protection pour les yeux. Les équipements de sécurité tels que les masques contre les poussières, les chaussures de sécurité antidérapantes, les casques ou les protections acoustiques utilisés pour les conditions appropriées réduiront les blessures de personnes.
- Éviter tout démarrage intempestif. S'assurer que l'interrupteur est en position arrêté avant de brancher l'outil au secteur et/ou au bloc de batteries, de le ramasser ou de le porter. Porter les outils en ayant le doigt sur l'interrupteur ou brancher des outils dont l'interrupteur est en position marche est source d'accidents.
- Retirer toute clé de réglage avant de mettre l'outil en marche. Une clé laissée fixée sur une partie tournante de l'outil peut donner lieu à des blessures de personnes.
- Ne pas se précipiter. Garder une position et un équilibre adaptés à tout moment. Cela permet un meilleur contrôle de l'outil dans des situations inattendues.
- S'habiller de manière adaptée. Ne pas porter de vêtements amples ou de bijoux. Garder les cheveux et les vêtements à distance des parties en mouvement. Des vêtements amples, des bijoux ou les cheveux longs peuvent être pris dans des parties en mouvement.
- Si des dispositifs sont fournis pour le raccordement d'équipements pour l'extraction et la récupération des poussières, s'assurer qu'ils sont connectés et correctement utilisés. Utiliser des collecteurs de poussière peut réduire les risques dus aux poussières.
- Ne pas laisser les habitudes acquises au cours d'une

utilisation fréquente des outils nous rendre complaisants et ignorer les principes de sécurité de l'outil. Une action imprudente peut entraîner des blessures graves en une fraction de seconde.

#### 4. UTILISATION ET ENTRETIEN DE L'OUTIL

- a) **Ne pas forcer l'outil. Utiliser l'outil adapté à votre application.** L'outil adapté réalisera mieux le travail et de manière plus sûre au régime pour lequel il a été construit.
- b) **Ne pas utiliser l'outil si l'interrupteur ne permet pas de passer de l'état de marche à arrêt et vice versa.** Tout outil qui ne peut pas être commandé par l'interrupteur est dangereux et il faut le réparer.
- c) **Débrancher la prise de la source d'alimentation et / ou retirer la batterie, si elle est amovible, de l'outil, avant tout réglage, changement d'accessoires ou avant de ranger l'outil.** De telles mesures de sécurité préventives réduisent le risque de démarrage accidentel de l'outil.
- d) **Conserver les outils à l'arrêt hors de la portée des enfants et ne pas permettre à des personnes ne connaissant pas l'outil ou les présentes instructions de le faire fonctionner.** Les outils sont dangereux entre les mains d'utilisateurs novices.
- e) **Entretenir les outils et accessoires électriques. Vérifier qu'il n'y a pas de mauvais alignement ou de blocage des parties mobiles, des pièces cassées ou toute autre condition pouvant affecter le fonctionnement de l'outil. En cas de dommages, faire réparer l'outil avant de l'utiliser.** De nombreux accidents sont dus à des outils mal entretenus.
- f) **Garder affûtés et propres les outils permettant de couper.** Des outils destinés à couper correctement entretenus avec des pièces coupantes tranchantes sont moins susceptibles de bloquer et sont plus faciles à contrôler.
- g) **Utiliser l'outil, les accessoires et les lames etc., conformément à ces instructions, en tenant compte des conditions de travail et du travail à réaliser.** L'utilisation de l'outil pour des opérations différentes de celles prévues pourrait donner lieu à des situations dangereuses.
- h) **Maintenir les poignées et les surfaces de préhension sèches, propres et exemptes d'huile et de graisse.** Des poignées et surfaces de préhension glissantes ne permettent pas une manipulation et un contrôle de l'outil en toute sécurité en cas d'imprévu.

#### 5. MAINTENANCE ET ENTRETIEN

- a) **Faire entretenir l'outil par un réparateur qualifié utilisant uniquement des pièces de rechange identiques.** Cela assurera le maintien de la sécurité de l'outil.

## CONSIGNES DE SÉCURITÉ CONCERNANT LA PERCEUSE

- 1) Instructions de sécurité pour toutes opérations
  - a) **Veillez porter un casque antibruit lorsque vous utilisez une perceuse à percussion.** L'exposition au bruit peut causer la perte de l'audition.
  - b) **Veillez utiliser les poignées auxiliaires fournies avec l'outil.** La perte de contrôle peut engendrer des blessures.
  - c) **Tenir l'outil par les zones de prises isolées lors d'une utilisation où l'outil tranchant pourrait entrer en contact avec des fils cachés ou avec son propre cordon.** Si les parties externes en métal entrent en contact avec un fil électrique « sous tension », elles pourraient elles aussi devenir « sous tension » et l'utilisateur pourrait recevoir une décharge électrique.
- 2) Instructions de sécurité lorsque l'utilisation de forêts long

- a) **Ne jamais fonctionner à une vitesse supérieure à la vitesse maximale autorisée du forêt.** À des vitesses plus élevées, le forêt risque de se plier s'il est autorisé à tourner librement sans toucher la pièce, entraînant des blessures corporelles.
- b) **Commencez toujours le forage à basse vitesse avec la pointe du trépan tout en contactant la pièce.** À des vitesses plus élevées, le forêt risque de se plier s'il est autorisé à tourner librement sans toucher la pièce, entraînant des blessures corporelles.
- c) **Appliquez la pression uniquement en ligne directe avec le forêt et ne pas appliquer de pression excessive.** Les forages peuvent se plier et provoquent une rupture ou une perte de contrôle, entraînant des blessures.

## SYMBOLES



Pour réduire le risque de blessure, l'utilisateur doit lire le mode d'emploi



Porter une protection pour les yeux



Porter une protection pour les oreilles



Porter un masque contre la poussière



Avertissement



Double isolation



Les déchets d'équipements électriques et électroniques ne doivent pas être déposés avec les ordures ménagères. Ils doivent être collectés pour être recyclés dans des centres spécialisés. Consultez les autorités locales ou votre revendeur pour obtenir des renseignements sur l'organisation de la collecte.

## INSTRUCTIONS D'UTILISATION



**REMARQUE:** Avant d'utiliser cet outil, lire attentivement le mode d'emploi.

### 1. INSERTION DES CROCHETS DANS LE MANDRIN (VOIR FIG. A)



**AVERTISSEMENT:** Retirer la fiche de la prise avant de procéder à un réglage, une réparation ou un entretien.

Lors du montage du forêt, insérez le forêt à fond dans les mâchoires. Assurez-vous que le forêt est placé au centre des mâchoires. Introduisez la clé à mandrin fournie dans les trois trous. Serrez successivement de manière uniforme dans chacun des trois trous, pas seulement un trou. Votre forêt est maintenant bloqué dans le mandrin. Le forêt peut être retiré en inversant les étapes de la procédure précédemment décrite.

### 2. SÉLECTEUR DE FONCTION DE FORAGE / MARTEAU (VOIR FIG. B)

Lorsque vous percez de la maçonnerie et du béton, choisissez la



position « **T** ». Lorsque vous percez du bois, du métal, du plastique, choisissez la position « **S** ».

### 3. INTERRUPTEUR DE MARCHÉ/ARRÊT

Appuyer sur le bouton pour démarrer l'outil et relâcher pour l'arrêter.

### 4. INTERRUPTEUR AVEC DISPOSITIF DE VERROUILLAGE (VOIR FIG. C)

Appuyer sur l'interrupteur de marche/arrêt puis verrouiller le bouton, relâcher d'abord l'interrupteur de marche/arrêt puis le deuxième bouton. L'interrupteur est maintenant verrouillé pour une utilisation continue. Pour arrêter l'outil, appuyer et relâcher l'interrupteur de marche/arrêt.

### 5. COMMANDE A VITESSE VARIABLE

Cet outil a un interrupteur à vitesse variable qui fournit des vitesses plus élevées avec une pression de commutation On / Off forte ou des vitesses plus faibles avec une pression de commutation On / Off réduite - la vitesse est contrôlée en faisant varier la pression appliquée à l'interrupteur.

### 6. COMMANDE DE ROTATION AVANT ET INVERSEE (VOIR FIG. D)

Pour changer le sens de rotation, poussez le sélecteur avant / arrière sur la bonne position (vue de l'avant de la perceuse). La rotation sera désormais une rotation vers l'avant. Poussez le sélecteur avant / arrière sur la position gauche. La rotation sera vers l'arrière.



**AVERTISSEMENT:** Ne changez jamais la direction de la rotation lorsque l'outil tourne, attendez jusqu'à ce qu'il soit arrêté.

## CONSEILS DE TRAVAIL POUR VOTRE PERCEUSE

#### 1. FORAGE MAÇONNERIE ET BÉTON

Sélectionnez le sélecteur de fonction de perceuse / perceuse à percussion à « **T** » position. Les forets en carbure de tungstène doivent toujours être utilisés pour percer la maçonnerie, le béton, etc. à grande vitesse.

#### 2. FORAGE DE L'ACIER

Sélectionnez le sélecteur de fonction de perceuse / perceuse à percussion à « **S** » position. Les forets HSS doivent toujours être utilisés pour percer de l'acier à une vitesse inférieure.

#### 3. TROUS PILOTES

Lorsque vous percez un grand trou dans un matériau dur (c'est-à-dire en acier), nous vous recommandons de percer un petit trou pilote avant d'utiliser un grand foret.

#### 4. PERÇAGE DE CARREAU

Sélectionnez le sélecteur de fonction de perceuse / perceuse à percussion à « **S** » position. Lorsque le carreau a été pénétré, passez en position « **T** ».

#### 5. REFROIDISSEZ LE MOTEUR

Si votre outil électrique surchauffe, réglez la vitesse au maximum et faites fonctionner sans aucune charge pendant 2-3 minutes pour refroidir le moteur.

## ENTRETIEN

**Retirer la fiche de la prise avant de procéder à un réglage, une réparation ou un entretien.**

L'outil motorisé ne requiert pas de graissage ou d'entretien supplémentaire. Il n'y a pas de pièces réparables par l'utilisateur dans cet outil. Ne jamais utiliser d'eau ou de nettoyants chimiques pour nettoyer l'outil. Nettoyer avec un chiffon sec. Toujours conserver l'outil motorisé dans un endroit sec. Maintenir les fentes de ventilation du moteur propres. Empêcher que les commandes de marche soient couvertes de sciure. Il est normal que des étincelles soient visibles dans les fentes de ventilation, cela n'endommagera pas l'outil motorisé.

Si l'alimentation est endommagée, elle doit être remplacée par le fabricant, son agent de maintenance ou une personne qualifiée de façon similaire, afin d'éviter tout danger.

## PROTECTION DE L'ENVIRONNEMENT



Les déchets d'équipements électriques et électroniques ne doivent pas être déposés avec les ordures ménagères. Ils doivent être collectés pour être recyclés dans des centres spécialisés. Consultez les autorités locales ou votre revendeur pour obtenir des renseignements sur l'organisation de la collecte.

## RÉSOLUTION DES PROBLÈMES

Nous,  
POSITEC Germany GmbH  
Postfach 32 02 16, 50796 Cologne, Germany

Déclarons que ce produit,  
Description **Perceuse à percussion**  
Modèle **WS3173 (31 - désignations des pièces, illustration de la Perceuse à percussion)**  
Fonction **Alésage des trous dans des matériaux différents**

Est conforme aux directives suivantes:  
**2006/42/EC, 2014/30/EU, 2011/65/EU&(EU)2015/863**

Et conforme aux normes:  
**EN 62841-1, EN 62841-2-1, EN 55014-1, EN 55014-2, EN IEC 61000-3-2, EN 61000-3-3**

La personne autorisée à compiler le dossier technique,  
Nom: **Marcel Filz**  
Adresse: **POSITEC Germany GmbH**  
Postfach 32 02 16, 50796 Cologne, Germany



2023/2/11  
Allen Ding  
Ingénieur en chef adjoint, Essais & Certification  
Positec Technology (China) Co., Ltd  
18, Dongwang Road, Suzhou Industrial  
Park, Jiangsu 215123, P. R. China



## ELEMENTI DELL'APPARECCHIO

1. Mandrino con chiave
2. Selettore funzione di trapano / martello
3. Pulsante di blocco
4. Interruttore acceso/spento
5. Controllo rotazione avanti ed indietro

## DATI TECNICI

Codice WS3173 (31 - designazione del macchinario rappresentativo del Trapano a percussione)

Tensione nominale		230-240V~50Hz
Potenza nominale		550W
Velocità a vuoto nominale		0-3000/min
Velocità nominale impatto		0-48000/min
Perforazione max.	acciaio	8mm
	calcestruzzo	10mm
	legno	25mm
Classe protezione		□/II
Peso della macchina		1.50kg

## INFORMAZIONI SUL RUMORE

Pressione acustica ponderata A

Potenza acustica ponderata A

$K_{PA}$  &  $K_{WA}$

Indossare protezione per le orecchie.

$L_{PA} = 94$  dB(A)

$L_{WA} = 105$  dB(A)

5.0 dB(A)

## ELEMENTI DELL'APPARECCHIO

I valori totali di vibrazione (somma vettoriale triassiale) sono determinati secondo lo standard EN 62841:

Foratura su metallo	Valore emissione vibrazioni $a_{n,D} = 5.51$ m/s <sup>2</sup>
	Incertezza K = 1.5 m/s <sup>2</sup>
Foratura a percussione su cemento	Valore emissione vibrazioni $a_{n,ID} = 15.92$ m/s <sup>2</sup>
	Incertezza K = 1.5 m/s <sup>2</sup>

Il valore totale di emissione di vibrazioni dichiarato e il valore di emissioni sonore dichiarati sono stati misurati in base a un metodo di collaudo standard e possono essere utilizzati per il confronto di un utensile con un altro.

Il valore totale di emissione di vibrazioni dichiarato e il valore di emissioni sonore dichiarato possono anche essere utilizzati in una valutazione preliminare dell'esposizione.



**AVVERTENZA:** le emissioni di vibrazioni e sonore durante l'uso effettivo dell'elettrotensile possono differire dal valore dichiarato in base alle modalità con cui esso viene utilizzato. In particolare quale tipo di pezzo viene lavorato dipende dai seguenti fattori e da altre variazioni sulle modalità di utilizzo dell'elettrotensile:

Come viene usato l'elettrotensile e quali sono i materiali tagliati o forati.

Le condizioni e la buona manutenzione dell'elettrotensile.

L'uso dell'accessorio corretto per il taglio e la sua affilatura, nonché le sue buone condizioni.

La tenuta della presa sulle impugnature e se vengono utilizzati eventuali accessori antivibrazioni e anturumore.

L'adeguatezza dell'utilizzo dell'elettrotensile rispetto a quanto previsto.

Questo elettroutensile potrebbe causare l'insorgenza della sindrome della vibrazione dell'avambraccio se il suo utilizzo non viene gestito correttamente.



**AVVERTENZA:** per essere precisi, una stima del livello di esposizione nelle attuali condizioni di utilizzo dovrebbe anche tenere conto di tutte le parti del ciclo operativo, come le volte in cui lo strumento viene spento e il tempo in cui viene lasciato girare a vuoto senza realmente fare il suo lavoro. Questo potrebbe ridurre significativamente il livello di esposizione sul periodo di lavoro totale. Aiuto a minimizzare il rischio di esposizione alle vibrazioni e al rumore.

Usare sempre scalpelli, trapani e lame affilati.

Conservare questo elettroutensile sempre in conformità a queste istruzioni e mantenerlo ben lubrificato (dove appropriato).

Se l'utensile deve essere utilizzato regolarmente, investire in accessori antivibrazioni e antirumore.

Pianificare il lavoro in modo da suddividere i lavori che implicano le maggiori vibrazioni nell'arco di più giorni.

## ACCESSORI

Chiave del mandrino

1

Si raccomanda di acquistare tutti gli accessori nello stesso negozio in cui è stato acquistato l'attrezzo. Fare riferimento alla confezione dell'accessorio per altri dettagli. Il personale del negozio può aiutarvi e consigliarvi.

## SICUREZZA DEL PRODOTTO AVVISI GENERALI PER LA SICUREZZA DEGLI UTENSILI A MOTORE



**AVVERTENZA:** Leggere tutte le avvertenze di sicurezza, le istruzioni, le illustrazioni e le specifiche fornite con questo elettroutensile. La mancata osservanza delle istruzioni elencate di seguito potrebbe provocare una scossa elettrica, un incendio e/o lesioni gravi.

Conservare tutti gli avvisi e le istruzioni per poterli consultare quando necessario.

Il termine «elettrodomestico elettrico» utilizzato di seguito in questo manuale si riferisce a utensili elettrici alimentati dalla rete (con linea di allacciamento), oltre che ad utensili elettrici alimentati a batteria (senza linea di allacciamento).

### 1. POSTO DI LAVORO

- Mantenere pulito e ordinato il posto di lavoro. Il disordine e le zone di lavoro non illuminate possono essere fonte di incidenti.
- Evitare d'impiegare l'utensile in ambienti soggetti al rischio di esplosioni nei quali siano presenti liquidi, gas o polveri infiammabili. Gli utensili elettrici producono scintille che possono incendiare polveri e gas.
- Mantenere lontani i bambini e altre persone durante l'impiego dell'utensile elettrico. Eventuali distrazioni potranno comportare la perdita di controllo sull'utensile.

### 2. SICUREZZA ELETTRICA

- La spina elettrica dovrà essere adatta alla presa di corrente. Evitare assolutamente di apportare modifiche alla spina. Non impiegare spine adattatrici assieme a utensili con collegamento a terra. Le spine non modificate e le prese adatte allo scopo riducono il rischio di scosse elettriche.
- Evitare il contatto fisico con superfici collegate a terra, come tubi, apparecchiature per il riscaldamento, cucine elettriche e frigoriferi. Nel momento in cui il corpo è messo a massa sussiste un maggior rischio di scosse elettriche.
- Custodire l'utensile al riparo dalla pioggia o dall'umidità. L'eventuale infiltrazione di acqua in un elettroutensile comporta un aumento del rischio d'insorgenza di scosse elettriche.
- Non usare il cavo di alimentazione per scopi diversi da quelli previsti, al fine di trasportare o appendere

l'elettrodomestico, oppure per staccare la spina dalla presa di corrente. Mantenere l'elettrodomestico al riparo da fonti di calore, olio, spigoli o parti di strumenti in movimento. I cavi danneggiati o aggrovigliati aumentano il rischio d'insorgenza di scosse elettriche.

- Qualora si voglia usare l'utensile all'aperto, impiegare solo ed esclusivamente cavi di prolunga omologati per l'impiego all'esterno. L'uso di un cavo di prolunga omologato per l'impiego all'esterno riduce il rischio d'insorgenza di scosse elettriche.
- Se si deve utilizzare l'elettrodomestico in un luogo umido, utilizzare una fonte di alimentazione dotata di interruttore differenziale. L'uso di un interruttore differenziale riduce il rischio di folgorazioni elettriche.

### 3. SICUREZZA DELLE PERSONE

- È importante concentrarsi su ciò che si sta facendo e maneggiare con giudizio l'elettrodomestico si lavora. Non utilizzare l'elettrodomestico quando si è stanchi o sotto l'effetto di alcol, stupefacenti e medicinali. Un attimo di distrazione durante l'uso dell'elettrodomestico potrebbe causare lesioni gravi.
- Indossare sempre dispositivi di protezione individuale, e guanti protettivi. Se si avrà cura d'indossare equipaggiamento protettivo individuale come una maschera antipolvere, calzature antiscivolo di sicurezza, elmetto o dispositivi di protezione acustica, a seconda dell'impiego previsto per l'elettrodomestico, si potrà ridurre il rischio di lesioni.
- Evitare l'avviamento involontario. Controllare che l'interruttore sia nella posizione di spegnimento (off) prima di effettuare il collegamento a una fonte di alimentazione/batteria e prima di sollevare o trasportare l'elettrodomestico. Il fatto di tenere il dito sopra all'interruttore o di collegare l'utensile acceso all'alimentazione di corrente potrebbe essere causa di incidenti.
- Togliere gli attrezzi di regolazione o la chiave inglese prima di accendere l'elettrodomestico. Un attrezzo o una chiave inglese che si trovino in una parte della macchina che sta girando può causare lesioni a persone.
- È importante non sopravvalutarsi. Avere cura di mettersi in una posizione sicura e di mantenere l'equilibrio. In tal modo sarà possibile controllare meglio la macchina in situazioni inaspettate.
- Indossare indumenti adeguati. Evitare di indossare vestiti lenti o gioiellati. Tenere i capelli e gli indumenti lontani dalle parti mobili. Vestiti lenti, gioielli o capelli lunghi potrebbero

*impigliarsi in parti in movimento.*

- g) Se sussiste la possibilità di montare dispositivi di aspirazione o di captazione della polvere, assicurarsi che gli stessi siano stati installati correttamente e vengano utilizzati senza errori. *L'impiego dei suddetti dispositivi diminuisce il pericolo rappresentato dalla polvere.*
  - h) Non lasciare che la familiarità acquisita con l'utilizzo frequente dell'elettrotensile si trasformi in autocomplacimento e trascuratezza dei principi di sicurezza. *Un'azione imprudente può causare lesioni gravi entro una frazione di secondo.*
4. MANEGGIO E IMPIEGO ACCURATO DI ELETTROTENSILI
- a) Non sovraccaricare l'elettrotensile. Impiegare l'elettrotensile adatto per eseguire il lavoro. *Utilizzando l'elettrotensile elettrico adatto si potrà lavorare meglio e con maggior sicurezza nell'ambito della gamma di potenza indicata.*
  - b) Non utilizzare elettrotensili con interruttori difettosi. *Un elettrotensile che non si può più accendere o spegnere è pericoloso e dovrà essere riparato.*
  - c) Staccare la spina dalla presa di corrente e/o rimuovere la batteria, se rimovibile, dall'elettrotensile prima di effettuare qualsiasi regolazione, sostituire gli accessori o riporre gli utensili elettrici. *Tale precauzione eviterà che la macchina possa essere messa in funzione inavvertitamente.*
  - d) Custodire gli elettrotensili non utilizzati fuori della portata dei bambini. Non fare usare l'apparecchio a persone non abituate a farlo o che non abbiano letto le presenti istruzioni. *Gli elettrotensili sono pericolosi se utilizzati da persone inesperte.*
  - e) Eseguire la manutenzione di elettrotensile e accessori. **Verificare che le parti mobili dell'elettrotensile funzionino perfettamente e non s'incepino, che non ci siano pezzi rotti o danneggiati al punto tale da limitare la funzione della macchina stessa. Far riparare le parti danneggiate prima di utilizzare l'elettrotensile. Numerosi incidenti vengono causati da elettrotensili la cui manutenzione è stata effettuata in modo poco accurato.**
  - f) **Mantenere affilati e puliti gli utensili da taglio. Gli utensili da taglio curati con particolare attenzione e con taglianti affilati s'incepiscono meno di frequente e sono più facili da condurre.**
  - g) **Utilizzare elettrotensili, accessori, attrezzi, ecc. in conformità con le presenti istruzioni e secondo quanto previsto per questo tipo specifico di macchina. Osservare le condizioni di lavoro e il lavoro da eseguire durante l'impiego. L'impiego di elettrotensili per usi diversi da quelli consentiti potrà dar luogo a situazioni di pericolo.**
  - h) **Mantenere le impugnature e le superfici di presa asciutte, pulite e prive di olio e grasso. Le impugnature e le superfici di presa scivolose non permettono l'uso e il controllo sicuri dell'elettrotensile in situazioni impreviste.**

#### 5. ASSISTENZA

- a) Fare riparare l'apparecchio esclusivamente da personale specializzato e solo impiegando pezzi di ricambio originali. *In tal modo potrà essere salvaguardata la sicurezza dell'apparecchio.*

## ISTRUZIONI DI SICUREZZA PER IL TRAPANO A MANO

- 1) Istruzioni di sicurezza per tutte le operazioni
- a) Indossare protezioni per le orecchie con tutti i trapani a percussione. *L'esposizione al rumore può provocare la perdita*

*dell'udito.*

- b) Usare le impugnature ausiliarie fornite in dotazione all'attrezzo. *La perdita di controllo può provocare lesioni personali.*
  - c) **Qualora si eseguano attività che prevedano il contatto dell'attrezzo con fili elettrici nascosti o con lo stesso cavo di alimentazione, tenere l'utensile da taglio servendosi delle apposite impugnature isolate. In questo modo, si eviterà il contatto con i fili sotto tensione, impedendo il trasferimento della stessa alle parti metalliche dell'attrezzo ed il conseguente rischio di scossa elettrica per l'operatore.**
- 2) Istruzioni di sicurezza quando si usano punte del trapano lunghe
- a) **Non operare mai a una velocità superiore a quella massima della velocità della punta del trapano. A velocità più elevate, è probabile essere piegata se gli si consente di ruotare liberamente senza toccare il pezzo, con conseguenti lesioni personali.**
  - b) **Iniziare sempre la foratura a bassa velocità e con la punta a contatto con il pezzo. A velocità più elevate, è probabile essere piegata se gli si consente di ruotare liberamente senza toccare il pezzo, con conseguenti lesioni personali.**
  - c) **Applicare la pressione solo in linea diretta con la punta e non dare una pressione eccessiva. Le punte possono piegarsi causando rotture o perdita di controllo, con conseguenti lesioni personali.**

## SIMBOLI



Per ridurre il rischio di lesioni, l'utente deve leggere il manuale di istruzioni.



Indossare protezione per gli occhi



Indossare protezione per le orecchie



Indossare una mascherina antipolvere



Attenzione



Double isolation



I prodotti elettrici non possono essere gettati tra i rifiuti domestici. L'apparecchio da rottamare deve essere portato al centro di riciclaggio per un corretto trattamento. Controllare con le autorità locali o con il rivenditore per localizzare il centro di riciclaggio più vicino.

## ISTRUZIONI SUL FUNZIONAMENTO



**NOTA:** Leggere scrupolosamente il manuale delle istruzioni prima di usare l'attrezzo.

### 1. INSERIMENTO DI PUNTE NEL MANDRINO (VEDI FIG. A)



**AVVERTENZA!** Rimuovere la spina dalla presa di corrente prima di eseguire qualsiasi regolazione, riparazione o manutenzione.

Ruotare la parte anteriore del mandrino in senso antiorario, tenendo premuto la parte posteriore per aprire le ganasce del mandrino.

Inserire la punta tra le ganasce del mandrino e ruotare la parte anteriore nella direzione opposta, tenendo premuto la parte posteriore. Accertarsi che le punte del trapano sia al centro delle ganasce del mandrino. Ora, la punta del trapano è stata bloccata nel mandrino.

## 2. SELETTORE FUNZIONE DI TRAPANO / MARTELLO (VEDI FIG. B)

Per muratura e calcestruzzo, selezionare la posizione "T". Quando si perfora in legno, metallo e plastica, selezionare la posizione "S".

## 3. INTERRUPTORE D'ACCENSIONE/SPEGNIMENTO

Premere per avviare l'attrezzo e rilasciarlo per disattivarlo.

## 4. PULSANTE DI BLOCCO (VEDI FIG. C)

Premere l'interruttore d'accensione/spegnimento e poi il tasto di blocco su accensione; rilasciare prima l'interruttore d'accensione/spegnimento e poi il tasto di blocco su accensione. Il tasto ora è bloccato per l'uso continuato. Per disattivare l'attrezzo, premere e rilasciare l'interruttore d'accensione/spegnimento

## 5. CONTROLLO VELOCITÀ VARIABILE

L'utensile ha un interruttore a velocità variabile che fornisce una velocità maggiore aumentando la pressione dell'interruttore di Acceso/ Spento o una velocità inferiore diminuendo la pressione dell'interruttore di Acceso/ Spento modificando la pressione applicata all'interruttore velocità.

## 6. CONTROLLO ROTAZIONE AVANTI ED INDIETRO (VEDI FIG. D)

Per cambiare il senso di rotazione, spingere il selettore avanti/indietro nella posizione corretta (vista dalla parte anteriore della punta). La rotazione sarà ora in avanti. Spingere il selettore avanti/indietro nella posizione sinistra. La rotazione sarà all'indietro.



**AVVERTENZA!** Non cambiare mai il senso di rotazione mentre l'utensile sta ruotando, attendere che si fermi.

## SUGGERIMENTI DI LAVORO PER IL TUO TRAPANO

### 1. UTILIZZATO PER FORARE MURATURE E CALCESTRUZZO

Selezionare il selettore della funzione di trapano / martello su posizione "T". Le punte da trapano in carburo di tungsteno devono essere sempre utilizzate ad alta velocità per muratura, calcestruzzo e altri.

### 2. ACCIAIO DI FORATURA

Selezionare il selettore della funzione di trapano / martello su posizione "S". Le punte HSS devono essere sempre utilizzate per perforazioni di acciaio a bassa velocità.

### 3. FORI PILOTA

Quando si esegue un foro grande in un materiale duro (come l'acciaio), si consiglia di praticare un piccolo foro pilota prima di utilizzare una punta da trapano grande.

### 4. PIASTRELLE DI FORATURA

Selezionare il selettore della funzione di trapano / martello su posizione "S". Dopo aver penetrato la piastrina, passare alla posizione "T".

### 5. RAFFREDDARE IL MOTORE

Se il tuo elettrotensile è surriscaldato, impostare la velocità al massimo e lasciarla funzionare senza carico per 2-3 minuti per raffreddare il motore.

## MANUTENZIONE

**Rimuovere la spina dalla presa di corrente prima di eseguire qualsiasi regolazione, riparazione o manutenzione.**

L'attrezzo non richiede lubrificazione o manutenzione aggiuntiva.

All'interno dell'attrezzo non ci sono parti riparabili da parte dell'utente. Non usare mai acqua o detersivi chimici per pulire l'attrezzo. Pulire con un panno asciutto. Conservare sempre gli attrezzi elettrici in luoghi asciutti. Tenere pulite le aperture di ventilazione del motore. Tenere puliti dalla polvere tutti i controlli operativi. La formazione di scintille all'interno delle aperture di ventilazione, è un fenomeno normale che non crea danni all'attrezzo.

Se il cavo d'alimentazione è danneggiato, deve essere sostituito dal produttore, il suo distributore o persona egualmente qualificata per evitare pericoli.

## TUTELA AMBIENTALE



I prodotti elettrici non possono essere gettati tra i rifiuti domestici. L'apparecchio da rottamare deve essere portato al centro di riciclaggio per un corretto trattamento.

Controllare con le autorità locali o con il rivenditore per localizzare il centro di riciclaggio più vicino.

## DICHIARAZIONE DI CONFORMITÀ

Noi,  
POSITEC Germany GmbH  
Postfach 32 02 16, 50796 Cologne, Germany

Dichiariamo che l'apparecchio,  
Descrizione **Trapano a percussione**  
Codice **WS3173 (31 - designazione del macchinario rappresentativo del Trapano a percussione)**  
Funzione **Noioso fori in vari materiali**

È conforme alle seguenti direttive,  
**2006/42/EC, 2014/30/EU, 2011/65/EU&(EU)2015/863**

Conforme a,  
**EN 62841-1, EN 62841-2-1, EN 55014-1, EN 55014-2, EN IEC 61000-3-2, EN 61000-3-3**

Il responsabile autorizzato alla compilazione della documentazione tecnica,

Nome **Marcel Filz**  
Indirizzo **POSITEC Germany GmbH**  
Postfach 32 02 16, 50796 Cologne, Germany

2023/2/11  
Allen Ding  
Vice capo ingegnere, testing e certificazione  
Positec Technology (China) Co., Ltd  
18, Dongwang Road, Suzhou Industrial  
Park, Jianguo 215123, P. R. China



# LISTA DE COMPONENTES

1. Portabrocas con llave
2. Selector de funciones del taladro / martillo
3. Botón de bloqueo
4. Interruptor encendido / apagado
5. Control de rotación hacia adelante / reverso

## CARACTERÍSTICAS TÉCNICAS

### Modelo WS3173 (31 - enominaciones de maquinaria, representantes de taladro de percusión)

Tensión nominal		230-240V~50Hz
Potencia nominal		550W
Velocidad nominal en vacío		0-3000/min
Tasa de impacto		0-48000/min
Capacidad de perforación	Acero	8mm
	Hormigón	10mm
	Madera	25mm
Clase de protección		□/II
Peso de la máquina		1.50kg

## INFORMACIÓN SOBRE EL RUIDO

Nivel de presión acústica ponderada

Nivel de potencia acústica ponderada

$K_{pA}$  &  $K_{WA}$

Utilice protección auditiva.

$L_{pA} = 94 \text{ dB(A)}$

$L_{WA} = 105 \text{ dB(A)}$

5.0 dB(A)

## INFORMACIÓN SOBRE LAS VIBRACIONES

Valores totales de vibración (suma vectorial triangular) determinados según la norma EN 62841:

Taladrado en metal	Valor de emisión de vibración $a_{n,D} = 5.51 \text{ m/s}^2$
	Incertidumbre $K = 1.5 \text{ m/s}^2$
Taladrado de impacto en hormigón:	Valor de emisión de vibración $a_{n,10} = 15.92 \text{ m/s}^2$
	Incertidumbre $K = 1.5 \text{ m/s}^2$

El valor total de vibraciones declarado y el valor de emisiones acústicas declarado se han medido de conformidad con un método de prueba estándar y pueden utilizarse para realizar comparaciones entre herramientas.

El valor total de vibraciones declarado y el valor de emisiones acústicas declarado también pueden utilizarse en una evaluación preliminar de la exposición.

**!** **ADVERTENCIA:** Las vibraciones y las emisiones acústicas que se producen durante el uso de la herramienta eléctrica pueden variar respecto a los valores declarados en función de cómo se utilice la herramienta, especialmente dependiendo del tipo de pieza de trabajo que se procese y de otras formas de usar la herramienta:

Cómo se utiliza la herramienta y se cortan o perforan los materiales.

Si la herramienta se encuentra en buenas condiciones de mantenimiento.

Si se utiliza el accesorio correcto para la herramienta y se garantiza que está afilado y en buenas condiciones.

La firmeza de sujeción de las empuñaduras, y el uso de accesorios para reducir las vibraciones y el ruido.

Y si la herramienta se utiliza según su diseño y estas instrucciones.

**Esta herramienta podría causar síndrome de vibración del brazo y la mano si no se utiliza correctamente.**



**ADVERTENCIA:** Para conseguir una mayor precisión, debe tenerse en cuenta una estimación del nivel de exposición en condiciones reales de todas las partes del ciclo de uso, como los tiempos durante los que la herramienta está apagado o cuando está en funcionamiento pero no está realizando ningún trabajo. Ello podría reducir notablemente el nivel de exposición sobre el periodo de carga total. Minimización del riesgo de exposición a las vibraciones y el ruido. Utilice SIEMPRE cinceles, brocas y cuchillas afiladas. Mantenga esta herramienta de acuerdo con estas instrucciones y bien lubricada (si es necesario). Si la herramienta se va a utilizar de forma habitual, se recomienda adquirir accesorios para reducir las vibraciones y el ruido. Planifique su programa de trabajo para distribuir el uso de la herramienta a lo largo de varios días.

## ACCESORIOS

Llave de portabrocas

1

Recomendamos que adquiera todos sus accesorios en el mismo establecimiento donde compró la herramienta. Consulte los estuches de los accesorios para más detalles. El personal del establecimiento también puede ayudar y aconsejar.

## SEGURIDAD DEL PRODUCTO

### ADVERTENCIAS DE SEGURIDAD GENERALES SOBRE HERRAMIENTAS ELÉCTRICAS



**ADVERTENCIA:** Lea todas las advertencias de seguridad, instrucciones, ilustraciones y especificaciones que acompañan a esta herramienta eléctrica. Si no se respetan todas las instrucciones que se indican abajo, podría producirse una descarga eléctrica, un incendio o alguien podría resultar herido de gravedad.

Conserve todas las advertencias e instrucciones para futuras consultas.

El término "herramienta eléctrica" en todas las advertencias siguientes corresponde a la herramienta eléctrica con o sin cable.

#### 1. ZONA DE TRABAJO

- Mantener su lugar de trabajo limpio y bien iluminado. Bancos de trabajo desordenados y lugares oscuros invitan a los accidentes.
- No utilizar herramientas eléctricas en atmósferas explosivas, como por ejemplo en presencia de líquidos inflamables, gases o polvo. Las herramientas eléctricas crean chispas que pueden encender el polvo o los vapores.
- Mantener alejados a los niños y visitantes mientras opera una herramienta eléctrica. Las distracciones pueden hacerle perder el control.

#### 2. SEGURIDAD ELÉCTRICA

- Los enchufes de la herramienta eléctrica deben encajar perfectamente en el tomacorriente. Nunca modificar el enchufe de ninguna manera. No utilizar adaptadores con herramientas eléctricas conectadas a tierra. Los enchufes no modificados y los que encajan perfectamente en el tomacorriente reducirán el riesgo de descarga eléctrica.
- Evitar el contacto del cuerpo con superficies conectadas a tierra tales como caños, radiadores, cocinas y heladeras. Existe un riesgo creciente de descarga eléctrica si su cuerpo queda conectado a tierra.
- No exponer las herramientas eléctricas a la lluvia y no guardar en lugares húmedos. El agua que penetra en ellas aumentará el riesgo de una descarga eléctrica.
- No abusar del cable. Nunca utilizar el cable para transportar, tirar o desenchufar la herramienta eléctrica. Mantener el cable alejado del calor, del aceite, de bordes agudos o piezas móviles. Los cables dañados o enredados aumentan el riesgo de

descarga eléctrica.

- Cuando utilice su herramienta eléctrica al aire libre, emplear un prolongador apto para uso en exteriores. El empleo de cables para uso al aire libre reduce el riesgo de descarga eléctrica.
- Si es necesario utilizar la herramienta motorizada en un lugar muy húmedo, utilice una fuente de alimentación con dispositivo de corriente residual (RCD). El uso de un RCD reduce el riesgo de descarga eléctrica.

#### 3. SEGURIDAD PERSONAL

- Manténerse alerta, poner atención en lo que está haciendo y utilice el sentido común mientras opera una herramienta eléctrica. No emplear la herramienta cuando se encuentre cansado o bajo la influencia de drogas, alcohol o medicación. Un momento de falta de atención durante el manejo de herramientas eléctricas puede dar lugar a daños corporales serios.
- Utilizar equipo de seguridad. Usar siempre protección ocular. Equipo de seguridad como máscaras contra el polvo, zapatos antideslizantes de seguridad, sombrero o protección auditiva para condiciones apropiadas reducirá daños corporales.
- Evite el arranque accidental. Asegúrese de que el interruptor se encuentra desactivado antes de enchufar la máquina o colocar la batería, al tomar la herramienta o transportarla. Transportar herramientas con el dedo en el interruptor o enchufar la herramienta cuando el interruptor está encendido invitan a los accidentes.
- Retire llaves de ajuste o llaves inglesas antes de poner la herramienta en funcionamiento. Una llave que queda unida a una pieza móvil de la herramienta puede originar daños corporales.
- No extralimitarse. Manténerse firme y con buen equilibrio en todo momento. Esto permite un mejor control de la herramienta en situaciones inesperadas.
- Vestirse apropiadamente. No usar ropa suelta ni alhajas. Mantenga el pelo, la ropa y los guantes alejados de las piezas en movimiento. La ropa suelta, las alhajas o el cabello largo pueden ser atrapados por las piezas móviles.
- Si se proporcionan dispositivos para la extracción y recolección de polvo, asegurarse de que estos estén conectados y utilizados correctamente. El uso de estos dispositivos puede reducir peligros relacionados con el polvo.
- No permita que el hecho de estar familiarizado con el uso de herramientas le haga volverse descuidado o ignorar las normas de seguridad. La falta de atención puede provocar heridas graves en una fracción de segundo.

4. **MANTENIMIENTO DE LA HERRAMIENTA MOTORIZADA**
- No forzar la herramienta eléctrica.** Utilizar la herramienta eléctrica correcta para su aplicación. La herramienta eléctrica correcta hará el trabajo mejor y más seguro a la velocidad para la cual fue diseñada.
  - No utilizar la herramienta eléctrica si el interruptor no la enciende o apaga.** Cualquier herramienta eléctrica que no pueda ser controlada con el interruptor es peligrosa y debe ser reparada.
  - Desconecte la clavija de la fuente de alimentación o extraiga la batería (si es desmontable) de la herramienta eléctrica antes de realizar cualquier ajuste, cambiar los accesorios o guardar la herramienta.** Tales medidas de seguridad preventivas reducen el riesgo de arranque accidental de la herramienta.
  - Mantener las herramientas eléctricas que no usa fuera del alcance de los niños y no permita que personas no familiarizadas con la herramienta o con estas instrucciones maneje la herramienta eléctrica.** Las herramientas eléctricas son peligrosas en manos de usuarios inexpertos.
  - Realice un mantenimiento adecuado de las herramientas eléctricas y sus accesorios. Compruebe si hay desalineamiento o atascamiento de piezas móviles, rotura de piezas en general y cualquier otra condición que pueda afectar la operación normal de la herramienta.** Si se verifican daños, recurra a un servicio calificado antes de volver a usar la herramienta. Las herramientas mal mantenidas causan muchos accidentes.
  - Mantener las piezas de corte limpias y afiladas.** Puesto que son menos probables de atascarse y más fáciles de controlar.
  - Utilizar la herramienta eléctrica, accesorios y brocas etc., de acuerdo con estas instrucciones y de la manera prevista para el tipo particular de herramienta eléctrica, teniendo en cuenta las condiciones de trabajo y el trabajo a ser realizado.** El uso de la herramienta eléctrica para otras operaciones distintas de lo previsto podría dar lugar a una situación peligrosa.
  - Mantenga las empuñaduras y las superficies de agarre secas, limpias y sin aceite ni grasa.** Una empuñadura o una superficie de agarre resbaladiza dificultan la correcta manipulación y el control de la herramienta en situaciones imprevistas.
5. **REPARACIÓN**
- Permitir que el mantenimiento de su herramienta eléctrica sea efectuado por una persona calificada usando solamente piezas de recambio idénticas.** Esto es primordial para mantener la seguridad de la herramienta eléctrica.

## CONSIGNAS DE SEGURIDAD ESPECÍFICAS

- Instrucciones de seguridad para todas las operaciones.
- Utilizar protectores auditivos al perforar agujeros.** El ruido de contacto puede causar pérdida de audición.
- Utilice las asas auxiliares suministradas con la herramienta.** La pérdida de control puede causar lesiones personales.
- Sujete la herramienta eléctrica a través de la superficie de sujeción aislante cuando realice un accesorio de corte o sujetador que pueda entrar en contacto con el cable oculto o su propio cable.** Cortar el accesorio o el sujetador al cable "activo" puede "activar" las partes metálicas expuestas de la herramienta eléctrica y puede causar una descarga eléctrica al operador.
- Instrucciones de seguridad cuando se utilizan brocas largas

- Nunca opere a una velocidad superior a la velocidad nominal máxima del taladro.** A velocidades más altas, si se permite que gire libremente sin tocar la pieza de trabajo, la broca puede doblarse y provocar lesiones personales.
- Siempre comience a perforar a baja velocidad con la punta del taladro en contacto con la pieza de trabajo.** A velocidades más altas, si se permite que gire libremente sin tocar la pieza de trabajo, la broca puede doblarse y provocar lesiones personales.
- Aplique presión solo cuando esté directamente alineado con la broca, no aplique presión excesiva.** La broca se doblará y causará daños o pérdida de control, resultando en lesiones personales.

## SÍMBOLOS



Para reducir el riesgo de lesión, lea el manual de instrucciones



Utilizar protección ocular



Utilice protección auditiva



Utilizar una máscara antipolvo



Advertencia



Doble aislamiento



Los residuos de aparatos eléctricos y electrónicos no deben depositarse en la basura doméstica. Se deben reciclar en las instalaciones especializadas. Consulte a las autoridades locales o el establecimiento para saber cómo reciclar estos productos.

## INSTRUCCIONES DE FUNCIONAMIENTO



**NOTA:** Antes de usar la herramienta lea el manual de instrucciones detenidamente.

### 1. INSERCIÓN DE BROCAS EN EL PORTABROCAS (VER FIG. A)



**ADVERTENCIA:** Retire el enchufe de la toma de corriente antes de efectuar cualquier ajuste, reparación o mantenimiento.

Gire la sección frontal del mandril en sentido contrario a las agujas del reloj mientras sostiene la sección posterior para abrir las mordazas del mandril. Inserte la broca entre las mordazas del portabrocas y gire la sección frontal en la dirección opuesta. Asegúrese de que la broca esté en el centro de las mordazas del portabrocas. Su broca ahora está fijada en el portabrocas.

### 2. SELECTOR DE FUNCIONES DEL TALADRO / MARTILLO (VER FIG. B)

Al perforar mampostería y objetos concretos, elija la posición "T". Al perforar madera, metal y plástico, elija la posición "S".



### 3. INTERRUPTOR DE ENCENDIDO / APAGADO

Presione el interruptor para encender la herramienta y suéltelo para apagarla.

### 4. BOTÓN DE BLOQUEO DEL INTERRUPTOR (VER FIG. C)

Presione el interruptor de encendido y luego el botón de bloqueo, suelte el interruptor de encendido en primer lugar y luego el botón de bloqueo. El interruptor de encendido quedará bloqueado en posición de marcha continua. Para apagar la herramienta, sólo apriete y suelte el interruptor.

### 5. CONTROL DE VELOCIDAD VARIABLE

Esta herramienta tiene un interruptor de velocidad variable que ofrece velocidades más altas con una mayor presión del interruptor de encendido / apagado o velocidades más bajas con una presión reducida del interruptor de encendido / apagado: la velocidad se controla variando la presión aplicada al interruptor.

### 6. PALANCA DE DIRECCIÓN DE ROTACIÓN (VER FIG. D)

Para cambiar la dirección de rotación, empuje el interruptor selector hacia adelante/atrás a la posición derecha (como se ve desde la parte delantera del taladro), la rotación será hacia adelante. Empuje el interruptor selector hacia adelante/atrás a la posición izquierda, la rotación será hacia atrás.



**ADVERTENCIA! Nunca cambie la dirección de rotación mientras la herramienta está girando, espere hasta que se haya detenido.**

## CONSEJOS DE TRABAJO PARA SU PULIDORA

#### 1. PARA TALADRAR EN MAMPOSTERÍA Y HORMIGÓN

Seleccione el selector de funciones del taladro / martillo en " **T** ". Las brocas de carburo de tungsteno siempre deben usarse para perforar mampostería y objetos concretos, etc. a alta velocidad.

#### 2. PERFORACIÓN DEL ACERO

Seleccione el selector de funciones del taladro / martillo en " **S** ". Las brocas HSS siempre deben usarse para perforar acero a una velocidad baja.

#### 3. AGUJEROS PILOTO

Al perforar un agujero grande en material resistente (es decir, acero), recomendamos perforar un agujero piloto pequeño primero antes de usar una broca grande.

#### 4. PERFORACIÓN DE BALDOSAS

Seleccione el selector de funciones del taladro / martillo en " **S** ": Cuando se haya penetrado la baldosa, cambie a la posición " **T** ".

#### 5. ENFRÍE EL MOTOR

Si su sierra caladora se calienta demasiado, especialmente cuando se usa a baja velocidad, ajuste la velocidad al máximo y no ejecute la carga durante 2-3 minutos para enfriar el motor.

## MANTENIMIENTO

**Retire el enchufe de la toma de corriente antes de efectuar cualquier ajuste, reparación o mantenimiento.**

No posee piezas en su interior que deban ser reparadas por el usuario. Nunca emplee agua o productos químicos para limpiar su herramienta. Use simplemente un paño seco. Guarde siempre su herramienta en un lugar seco. Mantenga limpias las ranuras

de ventilación del motor. Mantenga todos los controles de funcionamiento libres de polvo. La observación de chispas que destellan bajo las ranuras de ventilación indica un funcionamiento normal que no dañará su herramienta.

Si el cable de alimentación está dañado deberá ser reemplazado por el fabricante, su agente de servicio o por alguna persona cualificada para evitar riesgos.

## PROTECCIÓN AMBIENTAL



Los residuos de aparatos eléctricos y electrónicos no deben depositarse en la basura doméstica. Se deben reciclar en las instalaciones especializadas. Consulte a las autoridades locales o el establecimiento para saber cómo reciclar estos productos.

## DECLARACIÓN DE CONFORMIDAD

Los que reciben,  
POSITEC Germany GmbH  
Postfach 32 02 16, 50796 Cologne, Germany

Declaran que el producto,  
Descripción **Taladro de percusión**  
Modelo **WS3173 (31 - enominaciones de maquinaria, representantes de Taladro de percusión)**  
Funciones **De perforación en diversos materiales**

Cumple con las siguientes Directivas:  
**2006/42/EC, 2014/30/EU, 2011/65/EU&(EU)2015/863**

Cumple las normativas:  
**EN 62841-1, EN 62841-2-1, EN 55014-1, EN 55014-2, EN IEC 61000-3-2, EN 61000-3-3**

La persona autorizada para componer el archivo técnico,  
**Name** Marcel Filz  
**Address** POSITEC Germany GmbH  
**Postfach 32 02 16, 50796 Cologne, Germany**



2023/2/11  
Allen Ding  
Ingeniero Jefe Adjunto. Pruebas y Certificación  
Positec Technology (China) Co., Ltd  
18, Dongwang Road, Suzhou Industrial  
Park, Jiangsu 215123, P. R. China



# СПИСЪК НА КОМПОНЕНТИТЕ

1. Ключов патронник
2. Селектор за режим на пробиване/ударно пробиване
3. Бутон за заключване
4. Бутон вкл./изкл.
5. Управление на въртенето напред/назад

## ТЕХНИЧЕСКИ ДАННИ

Типово обозначение WS3173 (31 - обозначение на машини, представляващи ръчна бормашина)

Номинално напрежение		230-240V~50Hz
Номинална мощност		550W
Номинална скорост на празен ход		0-3000 /min
Честота на ударите		0-48000 bpm
Капацитет на пробиване	Стомана	8mm
	Тухла	10mm
	Дърво	25mm
Клас на защита		□/II
Тегло		1.50kg

## ИНФОРМАЦИЯ ЗА ШУМА

Претеглено звуково налягане

Претеглена звукова мощност

$K_{pA}$  &  $K_{WA}$

Носете антифони.

$L_{pA} = 94$  dB(A)

$L_{WA} = 105$  dB(A)

5.0 dB(A)


## ИНФОРМАЦИЯ ЗА ВИБРАЦИИТЕ

Обща стойност на вибрациите (триаксиална векторна сума), определена според БДС EN 62841:

Пробиване в метал	Стойност на вибрационните емисии $a_{h,D} = 5.51$ m/s <sup>2</sup>
	Неопределеност $K = 1.5$ m/s <sup>2</sup>
Ударно пробиване в бетон	Стойност на вибрационните емисии $a_{h,ID} = 15.92$ m/s <sup>2</sup>
	Неопределеност $K = 1.5$ m/s <sup>2</sup>

Декларираната обща стойност на вибрациите и декларираната стойност на емисиите на шум са измерени в съответствие със стандартен метод за измерване и могат да бъдат използвани за сравняване на един инструмент с друг.

Декларираната обща стойност на вибрациите и декларираната емисия на шум може да се използва и за предварителна оценка на експозицията.

 **ПРЕДУПРЕЖДЕНИЕ:** Стойността на емисиите на вибрации и шум при реално използване на електроинструмента може да се различава от декларираната стойност в зависимост от начините, по които инструментът се използва, в зависимост от детайла, който се обработва, и в зависимост от следните примери и други варианти за начина на използване на инструмента:

Как се използва инструментът и материалите, които се режат или пробиват.

Добро състояние и правилна поддръжка на инструмента.  
Използване на правилните аксесоари за инструмента и поддържането му остър и в добро състояние.  
Стегнат захват на ръкохватките и използване на противовибрационни и противощумови аксесоари.  
Употреба на инструмента според дизайна му и тези инструкции.

**Този инструмент може да предизвика синдром на вибрация „ръка-рамо“, ако употребата му не се управлява адекватно.**



**ПРЕДУПРЕЖДЕНИЕ:** За да бъде точна, оценката на нивото на експозиция в реалните условия на употреба трябва също да вземе предвид всички части от работния цикъл, като например времето, през което инструментът е изключен и когато работи на празен ход без реално да извършва работа. Това може значително да намали нивото на експозиция през общия работен период.

Как да намалите риска от експозиция на вибрации и шум. Винаги използвайте остри длета, свредла и ножове.

Грижете се за инструмента според тези инструкции и го поддържайте смазан (където е приложимо). Ако инструментът ще се използва редовно, инвестирайте в противовибрационни и противощумови аксесоари. Планирайте работния си график, за да разпределите употребата на високовибрационни инструменти в няколко отделни дни.

## АКСЕСОАРИ

Ключов патронник

1

Препоръчваме ви да закупите вашите аксесоари от същия магазин, от който сте закупили инструмента. Избирайте модела според работата, която ще извършвате. Направете справка с опаковката за аксесоари за повече подробности. Персоналът в магазина може да ви съдейства и да ви предложи съвет.

## ОРИГИНАЛНИ ИНСТРУКЦИИ БЕЗОПАСНОСТ НА ПРОДУКТА ОБЩИ ПРЕДУПРЕЖДЕНИЯ ЗА БЕЗОПАСНОСТ ЗА ЕЛЕКТРОИНСТРУМЕНТИ



**ПРЕДУПРЕЖДЕНИЕ** Прочетете всички предупреждения за безопасност, инструкции, илюстрации и спецификации, предоставени с този електроинструмент. Неспазването на всички посочени инструкции може да доведе до токов удар, пожар и/или сериозно нараняване.

**Запазете всички предупреждения и инструкции за бъдеща справка.** Терминът „електроинструмент“ в предупрежденията се отнася за вашите електроинструменти, захранвани от мрежата (с кабел) или за електроинструментите, работещи с батерия (без кабел).

### 1) Безопасност на работното място

- a) **Поддържайте работното място чисто и добре осветено.** Разхвърляните или тъмни места предизвикват инциденти.
- b) **Не работете с електроинструменти в експлозивни атмосфери, като например при наличие на запалими течности, газове или прах.** Електроинструментите

*произвеждат искри, които могат да запалят прах или изпарения.*

- c) **Децата и наблюдателите трябва да стоят настрана, докато работите с електроинструмента.** *Разсейването може да доведе до загуба на контрол.*
- 2) **Електрическа безопасност**
- a) **Щепселите на електроинструментите трябва да съответстват на контактите. Никога не модифицирайте щепсела по никакъв начин. Не използвайте никакви адаптерни щепсели със заземени електроинструменти.** *Немодифицираните щепсели и подходящите контакти ще намалят риска от токов удар.*
- b) **Избягвайте контакт на тялото със заземени повърхности, като тръби, радиатори, кухненски печки и хладилници.** *Съществува повишен риск от токов удар, ако тялото ви бъде заземено.*
- c) **Не излагайте електроинструментите на дъжд или влажни условия.** *Водата, навлизаща в електроинструмента, ще увеличи риска от токов удар.*
- d) **Не повреждайте кабела. Никога не използвайте кабела, за да носите, дърпате или изключвате електроинструмента. Дръжте кабела далеч от топлина, масло, остри ръбове или движещи се части.** *Повредените или заплетени кабели повишават риска от токов удар.*
- e) **Когато работите с електроинструмент на открито, използвайте удължителен кабел, подходящ за употреба на открито.** *Употребата на кабел, подходящ за употреба на*

- открито, намалява риска от токов удар.*
- f) Ако е наложително да работите с електроинструмента във влажно място, използвайте защитено захранване с дефектнотокова защита (ДТЗ).** *Използването на ДТЗ намалява риска от токов удар.*
- 3) Лична безопасност**
- a) Бъдете нащрек, внимавайте какво правите и използвайте здравия си разум, когато работите с електроинструмент. Не използвайте електроинструмент, когато сте изморени или под влияние на наркотици, алкохол или лекарства.** *Момент невнимание при работа с електроинструмент може да доведе до сериозни наранявания.*
- b) Използвайте лични предпазни средства. Винаги носете защитни очила.** *Предпазните средства като прахова маска, предпазни обувки против пъззалеяне, каска или антифони, използвани за подходящите условия, ще намалят нараняванията.*
- c) Претоваряване на неволно стартиране.** *Уверете се, че преклювачателят е в позиция изкл. (off), преди свързване към източник на захранване и/или батерия пакет, вземане или носене на инструмента. Носенето на електроинструменти с пръст върху преклювачателя или енергизирането им при натиснат преклювачател може да доведе до злополуки.*
- d) Отстранете всеки регулиращ ключ или гаечен ключ преди да включите инструмента.** *Гаечен ключ или друг ключ, прикрепен към въртяща се част на електроинструмента, може да доведе до наранявания.*
- e) Не дръжте инструмента твърде далече. Непрекъснато спазвайте подходящо положение и баланс.** *Това спомага за по-доброто управление на електроинструмента в непредвидени ситуации.*
- f) Носете подходящо облекло. Не носете широки дрехи или бижута. Дръжте косата и дрехите си далеч от движещите се части.** *Широките дрехи, бижута или дългата коса могат да бъдат захванати от движещите се части.*
- g) Ако са осигурени устройства за свързване на уреди за извличане и събиране на прах, уверете се, че те са свързани и се използват правилно.** *Използването на прахоуловители може да намали опасностите, свързани с праха.*
- h) Не позволявайте познването, придобито от честата употреба на инструменти, да ви позволи да изгубите бдителността си и да игнорирате принципите за безопасност на инструментите.** *Небрежно действие може да причини тежки наранявания в рамките на част от секундата.*
- 4) Използване и грижа за електроинструмента**
- a) Не претоварвайте електроинструмента. Използвайте правилния електроинструмент за вашите нужди.** *Правилният електроинструмент ще свърши работата по-добре и по-безопасно при скоростта, за която е проектиран.*
- b) Не използвайте електроинструмента, ако преклювачателят не го включва и изключва.** *Всеки електроинструмент, който не може да се управлява с преклювачателя, е опасен и трябва да бъде ремонтиран.*
- c) Изключете щепсела от източника на захранване и / или извадете батерийния пакет, ако се разглобява, от електроинструмента, преди да направите каквито и да е настройки, да смените аксесоарите или да съхранявате електроинструментите.** *Подобни превантивни предпазни мерки намаляват риска от включване на електроинструмента по невнимание.*
- d) Съхранявайте електроинструментите на място, недостъпно за деца, и не позволявайте на лица, които не са запознати с електроинструмента или с тези инструкции, да работят с електроинструмента.** *Електроинструментите са опасни в ръцете на необучени потребители.*
- e) Грижете се за електроинструментите и аксесоарите. Проверявайте за неправилно подравняване или свързване на движещите се части, чупуване на части и всъщности други състояния, които могат да повлияят на работата на електроинструмента. При повреда, ремонтирайте инструмента преди употреба.** *Много злополуки са причинени от лошо поддържани електроинструменти.*
- f) Поддържайте режещите инструменти остри и чисти.** *Правилно поддържаните режещи инструменти с остри режещи ръбове е по-малко вероятно да засичат при работа и са по-лесни за управление.*
- g) Използвайте електроинструментите, аксесоарите и резците според настоящите инструкции, като прочитате условията на работа и работата, която ще се извършва.** *Употребата на електроинструмента за операции, различни от тези, за които е предназначен, може да доведе до опасни ситуации.*
- h) Пазете дръжките и захващащите повърхности сухи, чисти и без следи от масло и смазка.** *Хлъзгавите дръжки и захващащи повърхности не позволяват безопасна работа и контрол на инструмента при неочаквани ситуации.*
- 5) Обслужване**
- a) Вашият електроинструмент трябва да се обслужва от квалифицирано лице, което**

използва само оригинални резервни части. Това ще гарантира запазването на безопасността на електроинструмента.

## ПРЕДУПРЕЖДЕНИЯ ЗА БЕЗОПАСНОСТ ПРИ ПРОБИВАНЕ

- 1) **Инструкции за безопасност за всички операции**
  - a) **Носете предпазители за уши при ударно пробиване.** Излагане на шум може да причини загуба на слуха.
  - b) **Използвайте помощна (и) дръжка (и).** Загуба на контрол може да причини лични нараняване.
  - c) **Дръжте електроинструмента за изолирани захващащи повърхности, когато извършване на операция, при която режещият аксесоар или закопчалките могат да се свържат със скрито окабеляване или със собствен кабел.** Рязане аксесоари или крепежни елементи, които се свързват с "жив проводник, могат да направят изложени метални части на електроинструмента "под напрежение" и биха могли да дадат оператор токов удар.
- 2) **Инструкции за безопасност при използване на дълги свредла**
  - a) **Никога не работете с по-висока скорост от максималната рейтинг на свредлото.** При по-високи скорости битът вероятно ще се огъне ако е позволено да се върти свободно, без да контактува с детайла, което води до нараняване.
  - b) **Винаги започвайте да пробивате с ниска скорост и с крайника на бита контакт с детайла.** При по-високи скорости битът е вероятно да се огъне, ако е позволено да се върти свободно, без да контактува с детайл, което води до нараняване.
  - c) **Прилагайте натиск само в права линия с бита и не прилагайте прекомерен натиск.** Битовите могат да се огъват, причинявайки счуване или загуба на контрол, водещ до нараняване.

## СИМВОЛ



За да се намали рискът от наранявания, потребителят трябва да прочете ръководството с инструкции.



Носете защитни очила



Носете антифони



Носете противопрахова маска



Предупреждение



Двойна изолация



Излезлите от употреба електрически продукти не бива да бъдат изхвърляни заедно с битовите отпадъци. Моля, използвайте рециклиращи съоръжения там, където има такива. Информация за рециклирането можете да получите от местните власти или от съответния търговец на дребно.

## ИНСТРУКЦИИ ЗА РАБОТА



**ЗАБЕЛЕЖКА:** Преди да използвате инструмента, прочетете книжката с инструкциите внимателно.

### 1. ПОСТАВЯНЕ НА НАКРАЙНИЦИ В ПАТРОННИКА (ВЖ. ФИГ. А)



**ПРЕДУПРЕЖДЕНИЕ:** Преди да пристъпите към каквото и да било регулиране, обслужване или поддръжка, първо издърпайте захранващия щепсел от електрическият контакт.

Завъртете предната част на патронника в посока, обратна на часовниковата стрелка, като същевременно държите задната част, за да отворите челюстите на патронника. Поставете свредлото между челюстите на патронника и завъртете предната част в обратна посока, докато придържате задната част. Уверете се, че свредлото е в центъра на челюстите на патронника. Свредлото вече е затегнато в патронника.

### 2. РЕЖИМ НА КЪРТЕНЕ ИЛИ ПРОБИВАНЕ (ВЖ. ФИГ. В)

Когато пробивате в тухла или бетон, изберете позиция Чук "T". Когато пробивате в дърво, метал, и пластмаса, изберете позиция Свредло "S".

### 3. БУТОН ВКЛ./ИЗКЛ.

Натиснете бутона вкл./изкл., за да включите и го освободете, за да изключите инструмента.

### 4. ПРЕВКЛЮЧВАТЕЛ ЗА ЗАКЛЮЧВАНЕ (ВЖ. ФИГ. С)

Натиснете бутона за вкл./изкл., след това превключвателя за заключване. Сега превключвателят е заключен за продължителна употреба. За да изключите инструмента, само натиснете и освободете бутона за вкл./изкл.

### 5. БУТОН ЗА ПРОМЯНА НА СКОРОСТТА

Превключвателят за вкл./изкл. служи и за промяна на скоростта и осигурява по-висока скорост и въртящ момент с повишен натиск на спусъка. Скоростта се управлява от броя натискания на пусковия ключ.

## 6. УПРАВЛЕНИЕ НА ВЪРТЕНЕТО НАПРЕД/ НАЗАД (ВЖ. ФИГ. D)

За да промените посоката на въртене, натиснете селектора за въртене напред/ назад надясно (спрямо предната част на бормашината). Сега въртенето ще бъде напред. Натиснете селектора за въртене напред/назад наляво. Въртенето ще стане назад.



**ПРЕДУПРЕЖДЕНИЕ:** Никога не променяйте посоката на въртене, когато инструментът се върти; изчакайте, докато спре.

## СЪВЕТИ ЗА РАБОТА С ВАШАТА БОРМАШИНА

### 1. Пробиване в зидария и бетон

Изберете селектора на функцията за пробиване/ ударно пробиване в позиция "Т". Свредлата от волфрамов карбид трябва винаги да се използват за пробиване на зидария, бетон и др. с висока скорост.

### 2. Пробиване на стомана

Изберете селектора на функцията за пробиване/ ударно пробиване в позиция "S". Свредлата от HSS трябва винаги да се използват за пробиване на стомана с по-ниска скорост.

### 3. Пилотни отвори

Когато пробивате голям отвор в здрав материал (напр. стомана), препоръчваме първо да пробием малък пилотен отвор, преди да използвате голямо свредло.

### 4. Пробиване на плочки

Изберете селектора на функцията за пробиване/ ударно пробиване в позиция "S" за пробиване на плочка. Когато в плочките има проникване, преминете към позиция "Т".

### 5. Охлаждане на двигателя

Ако електроинструментът стане прекалено горещ, задайте максимална скорост и работете без натоварване в продължение на 2-3 минути, за да се охлади двигателя.

## ПОДДРЪЖКА

**Преди да пристъпите към каквото и да било регулиране, обслужване или поддръжка, първо издърпайте захранващия щепсел от електрическия контакт.**

Вашият електроинструмент не се нуждае от допълнително смазване или поддръжка. В него няма никакви детайли, които да се обслужват от потребителя. Никога не използвайте вода или химически препарати за почистване на електроинструмента. Почиствайте го със суха кърпа. Винаги съхранявайте вашия електроинструмент на сухо място. Поддържайте вентилационните отвори на двигателя чисти. Поддържайте всички бутони за управление чисти

от прах. От време на време може да виждате искри през вентилационните отвори.

Това е нормално и няма да повреди вашия електроинструмент.

Ако захранващият кабел бъде повреден, той трябва да бъде подменен от производителя, от обслужващия го представител или от друго компетентно лице с цел избягване на опасности.

## ОПАЗВАНЕ НА ОКОЛНАТА СРЕДА



Излезлите от употреба електрически продукти не бива да бъдат изхвърляни заедно с битовите отпадъци. Моля, използвайте рециклиращи съоръжения там, където има такива. Информация за рециклирането можете да получите от местните власти или от съответния търговец на дребно.

## ДЕКЛАРАЦИЯ ЗА СЪОТВЕТСТВИЕ

Ние,  
POSITEC Germany GmbH  
Postfach 32 02 16, 50796 Cologne, Germany

Декларираме, че продуктът  
Описание **Ударна бормашина**  
Модел обозначение **WS3173 (31 - обозначено на машини, представляващи електрическа бормашина)**  
Функция **Пробиване на отвори в различни материали**

Отговаря на следните Директиви:  
**2006/42/EC, 2014/30/EU, 2011/65/EU & (EU)2015/863**

както и на стандартите:  
**EN 62841-1, EN 62841-2-1, EN 55014-1, EN 55014-2, EN IEC 61000-3-2, EN 61000-3-3**

Лице, оторизирано да изготвя техническото досие,  
**Име Marcel Filz**  
**Адрес POSITEC Germany GmbH**  
**Postfach 32 02 16, 50796 Cologne, Germany**

2023/2/11  
Allen Ding  
Заместник-главен инженер, отговарящ за тестването и сертифицирането  
Positec Technology (China) Co., Ltd  
18, Dongwang Road, Suzhou Industrial Park, Jiangsu 215123, P. R. China







**WESCO**