

# 200 x 120 x 45 cm

78.7" x 47.2" x 17.7"

## BRICOFORTE 1204-5



# Chipboard



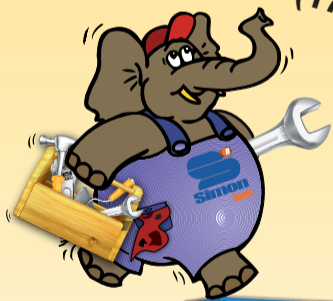
**5 years**  
SIMONRACK  
GUARANTEE



**1500 kg**  
(3307 lb)  
Total



On-line instructions: [www.instructionsrack.com/bricofortechipboard](http://www.instructionsrack.com/bricofortechipboard)



www.simonrack.com

ESTANTERIAS SIMON S.L B.50.556.463 PG. ALFAMEN C/POLIGONO C, Nº3 ALFAMEN (ZARAGOZA)

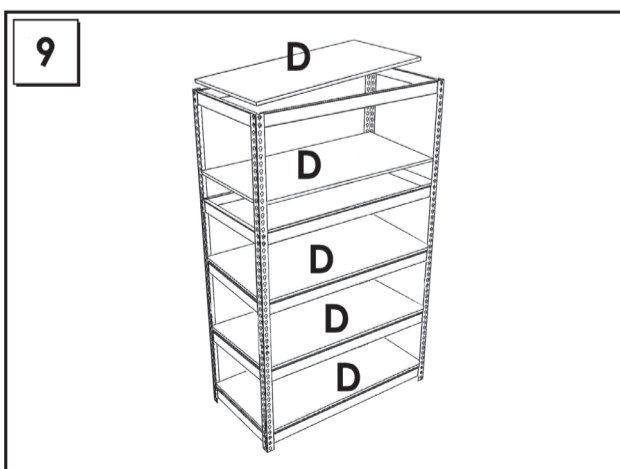
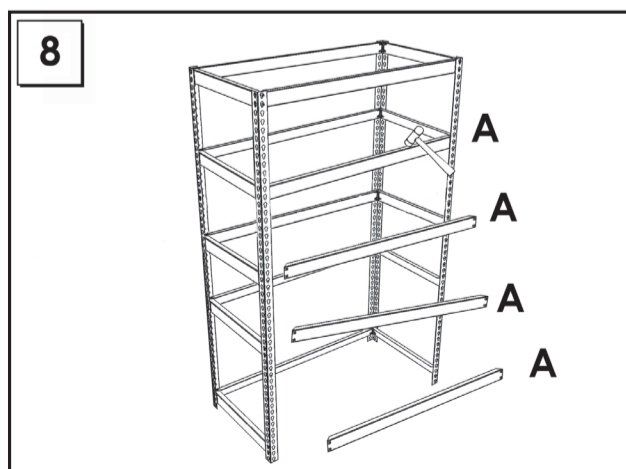
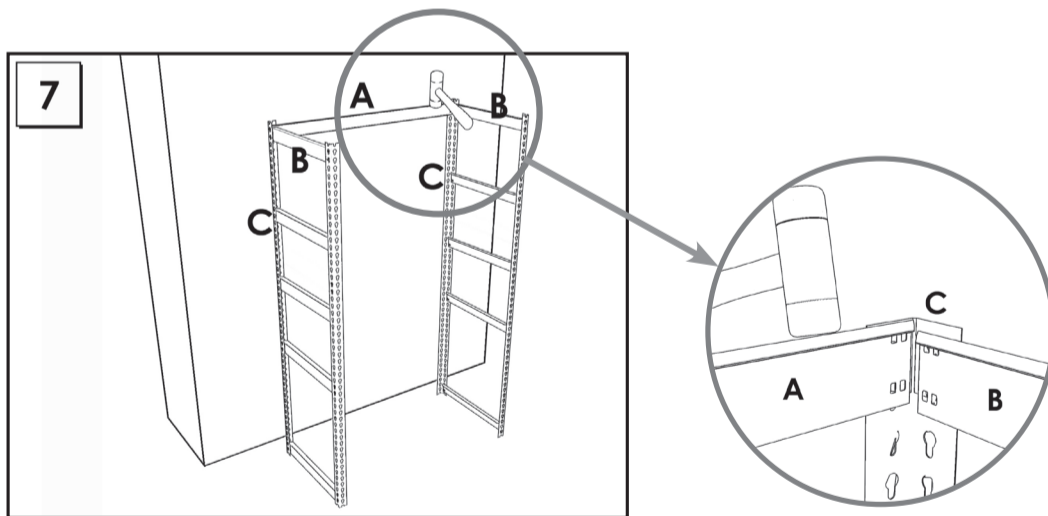
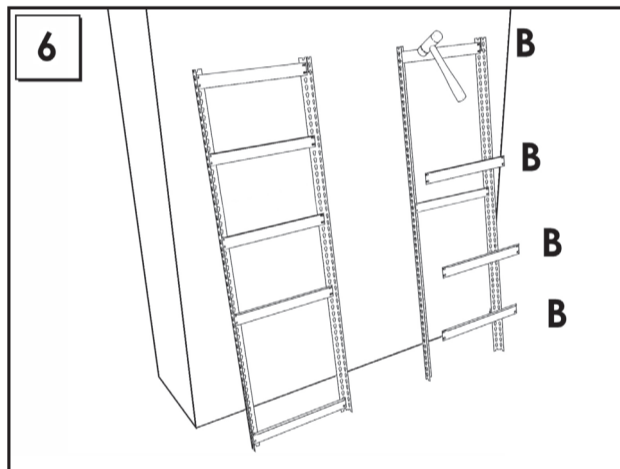
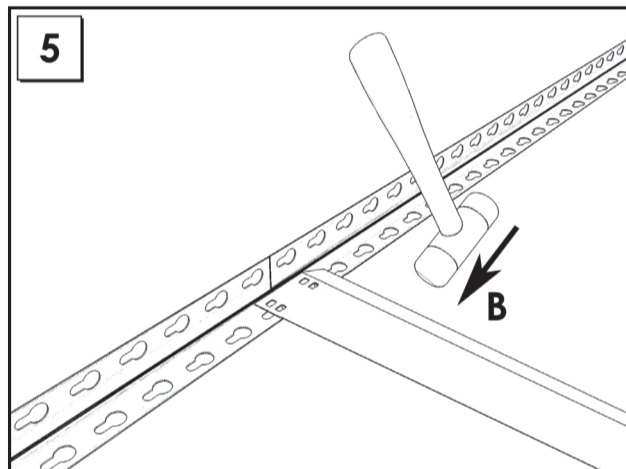
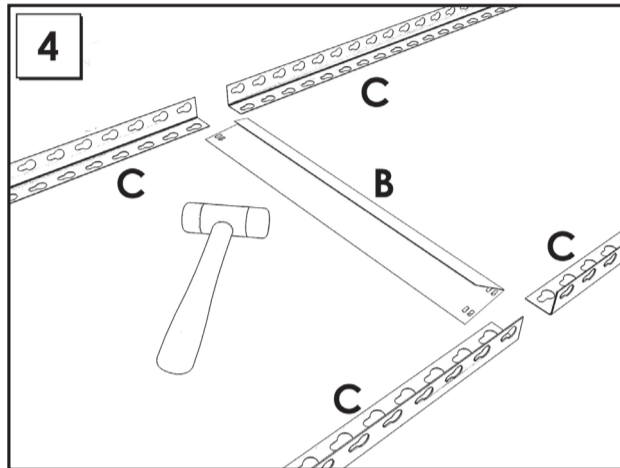
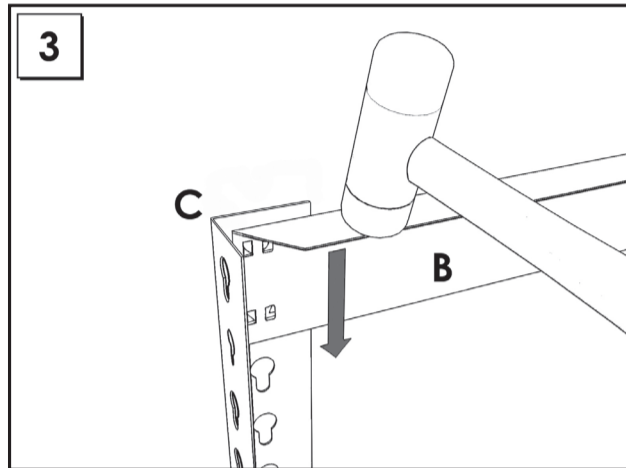
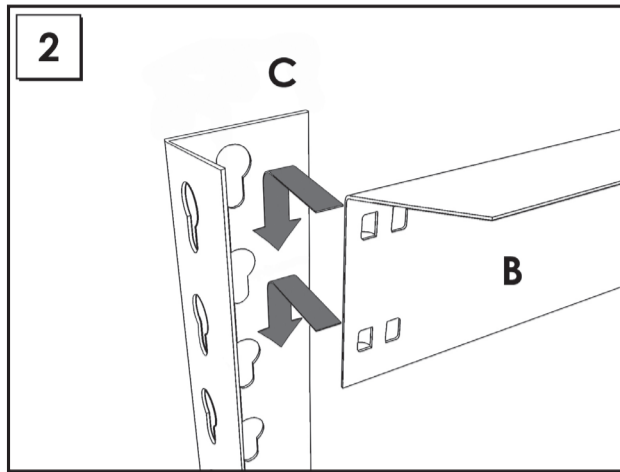
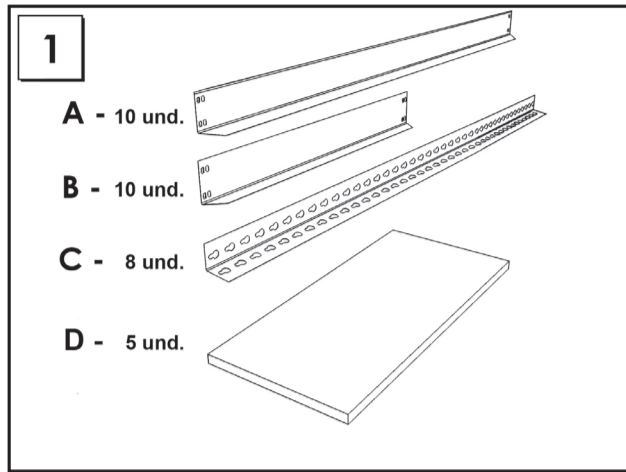


[www.simonrack.com](http://www.simonrack.com)



INSTRUCTIONS





**SIMONCLASSIC**



**SIMONCLICK**



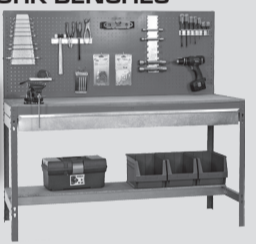
**SIMONOFFICE**



**SIMONTALLER**



**BANCOS DE TRABAJO  
WORK BENCHES**



**SIMONHOME**



**TAQUILLAS  
LOCKER**



**SIMONTITÁN**



**SIMONINOX**



**SIMONPALET**



**SIMONLEVER**



**ALTILLOS Y PASILLOS ELEVADOS  
PLATFORMS AND MEZZANINES**

