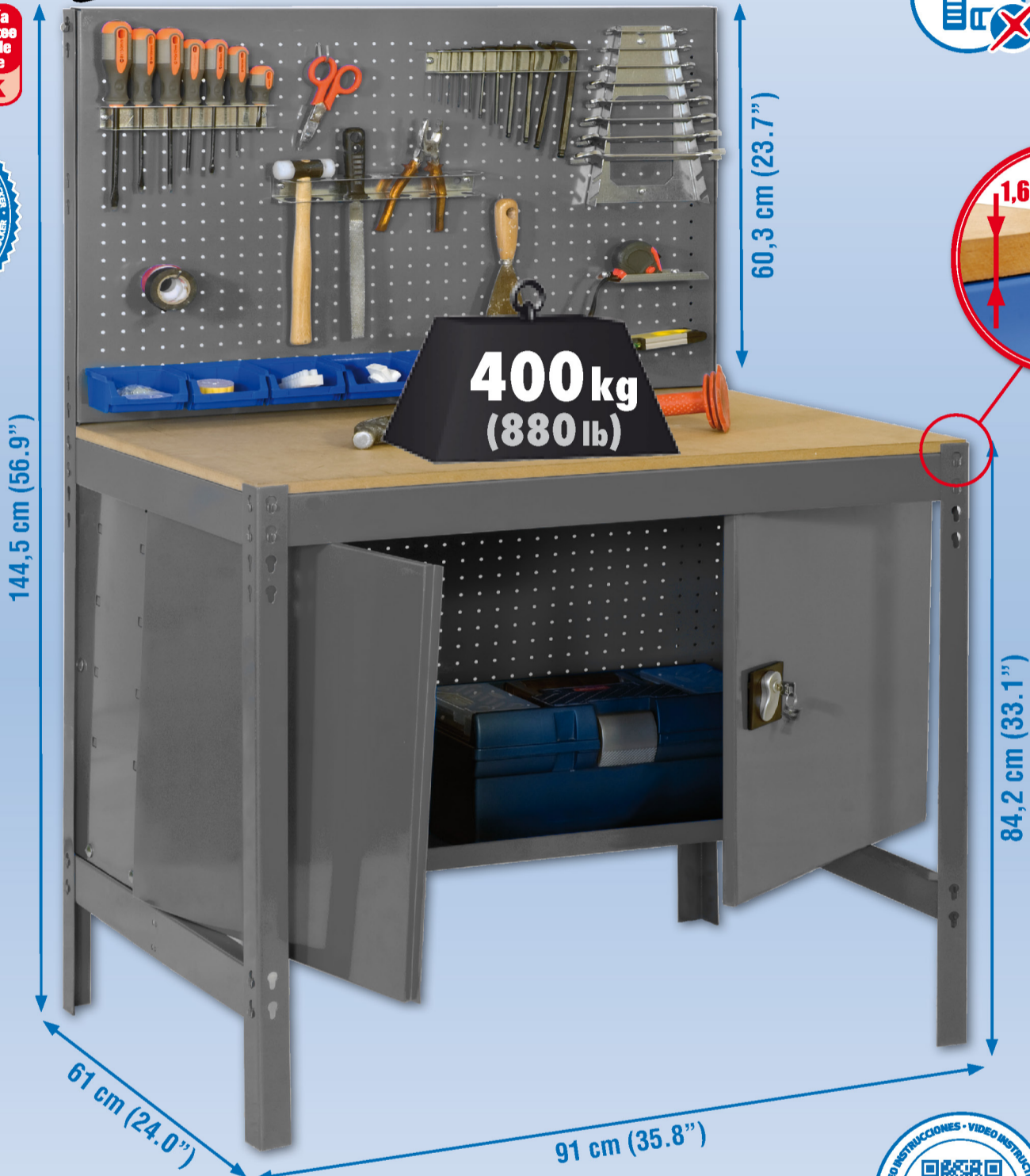


SIMONWORK BT2 900 Locker



144,5 x 91 x 61 cm
56.9" x 35.8" x 24.0"

5 Años Garantía
 Years Guarantee
 Jahre Garantie
 Ans Garantie
SIMONRACK



- 1 x 90x60 cm (35.4"x23.6")
- 2 x 84 cm (33.1")
- 2 x 144 cm (56.7")
- 3 x 90 cm (35.4")
- 4 x 60 cm (23.6")
- 1 x 60x90 cm (23.6"x35.4")
- 1 x 90 cm (35.4")
- 4 x
- 1 x 31x53x90 cm (12.2"x20.9"x35.4")
- 20 x 4 x



ESTANTERIAS SIMON S.L. B.50.556.463
 PG. ALFAMEN C/ POLIGONO C. Nº3
 ALFAMEN (ZARAGOZA)

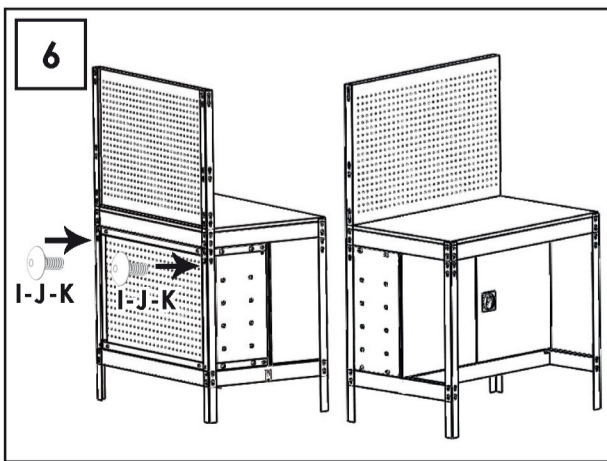
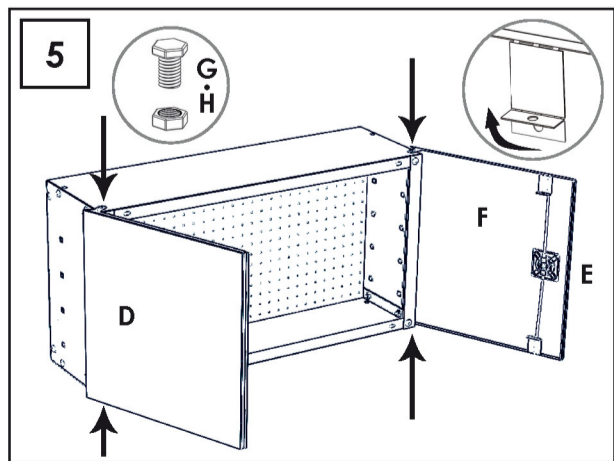
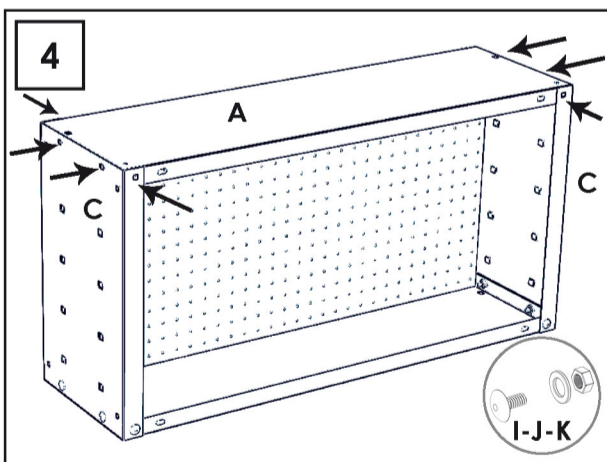
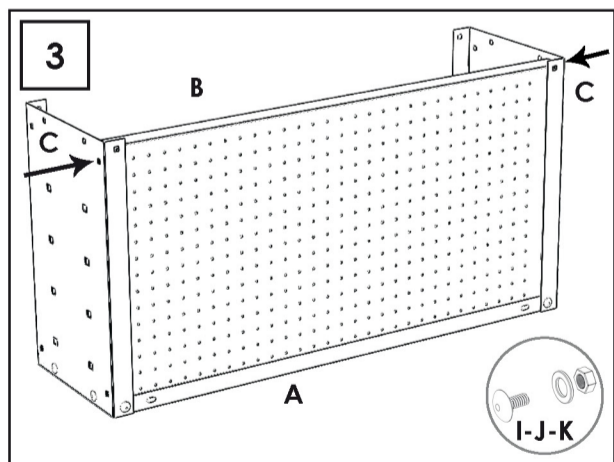
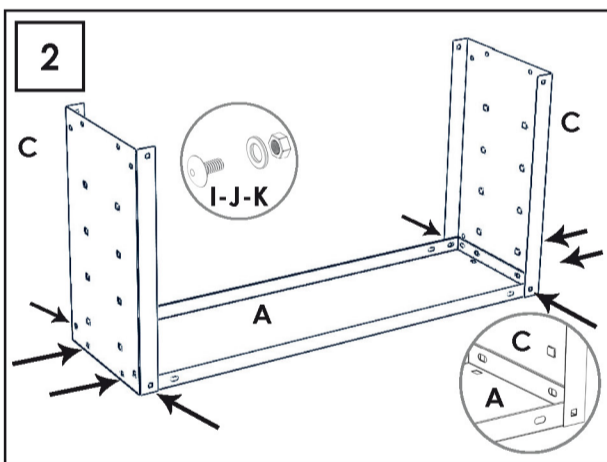
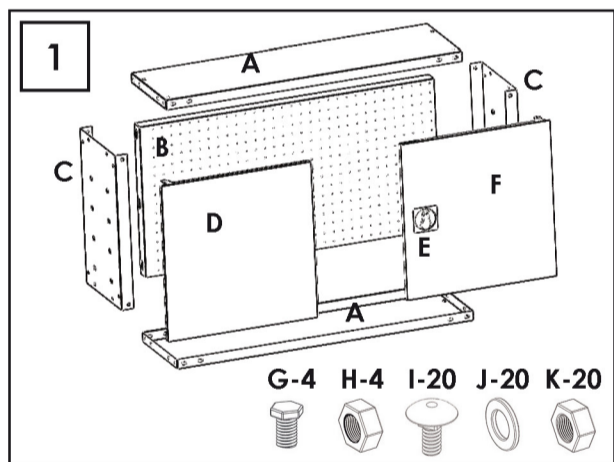
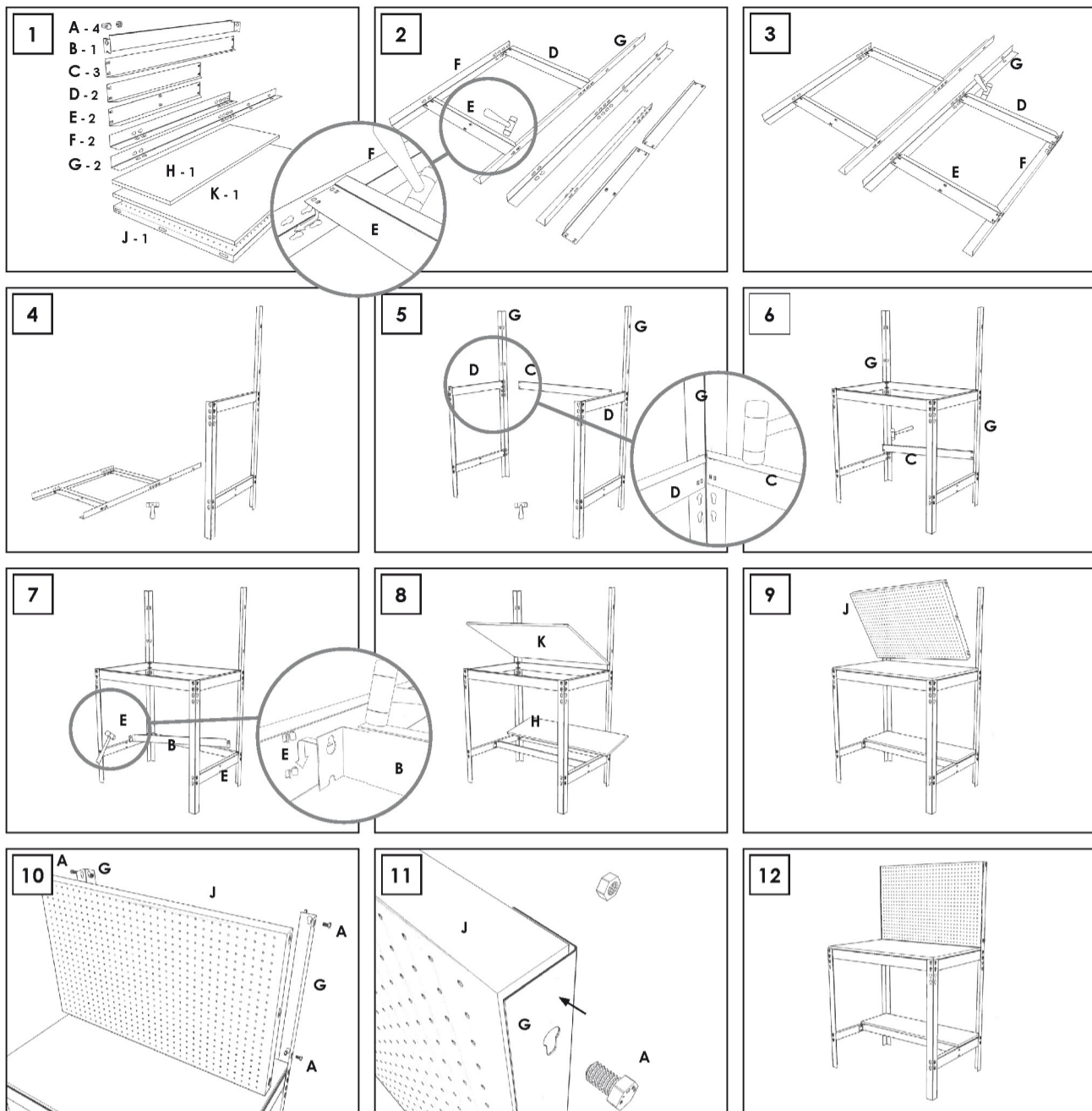


www.simonrack.com



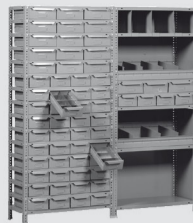
Management System
 ISO 9001:2015
 www.tuv.com
 ID 910604425

INSTRUCCIONES
 INSTRUCTIONS
 ANLEITUNG
 INSTRUCTIONS



www.simonrack.com • www.instructionsrack.com

SIMONCLASSIC



SIMONCLICK



SIMONTALLER



SIMONAUTO



SIMONWORK



SIMONLOCKER



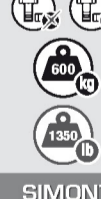
SIMONOFFICE



SIMONHOME



SIMONGARDEN



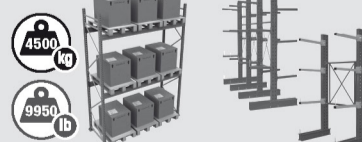
SIMONTITÁN



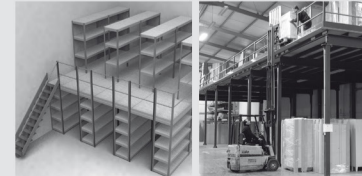
SIMONINOX

SIMONINDUSTRIAL

SIMONPALET SIMONLEVER



ALTILLOS Y PASILLOS ELEVADOS
PLATFORMS AND MEZZANINES
LAGERBÜHNEN • PLATES-FORMES ET MEZZANINES



* Kg / lb por bandeja con carga uniformemente repartida
Kg / lb per shelf uniformly distributed load
Kg / lb pro fach bei gleichmäßig verteilter Last
Kg / lb par plateau avec charge uniformément répartie