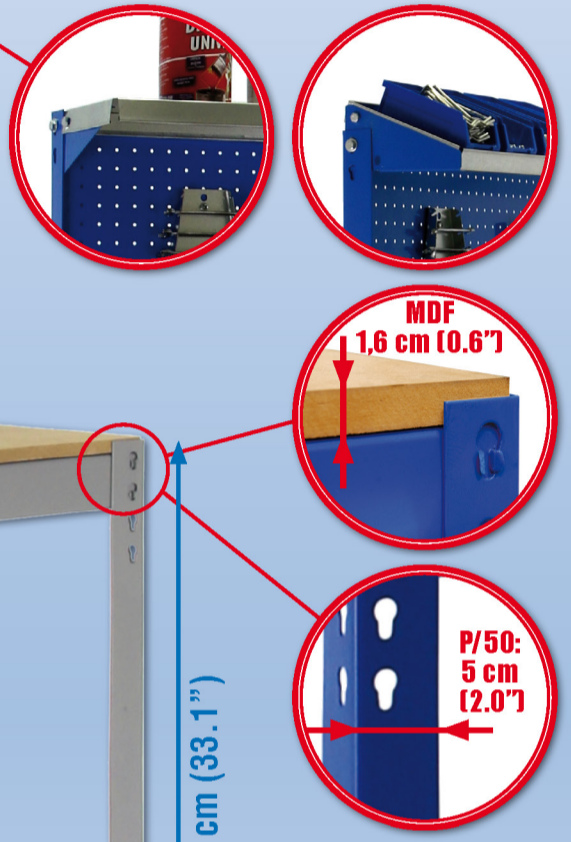


# SIMONWORK BT3 1200



**144,5 x 121 x 61 cm**  
**56.9" x 47.6" x 24.0"**

**5** Años Garantía  
 Years Guarantee  
 Jahre Garantie  
 Ans Garantie  
**SIMONRACK**



- 1 x 120x60 cm (47.2"x23.6")
- 2 x 84 cm (33.1")  
2 x 144 cm (56.7")
- 1 x MDF 60x120 cm (23.6"x47.2")  
1 x 35x120 cm (13.8"x47.2")
- 4 x 60 cm (23.6")
- 3 x 120 cm (47.2")
- 1 x 120 cm (47.2")  
1 x 60 cm (23.6")
- 2 x 9,5x19 cm (3.7"x7.5")
- 1 x 120x20 cm (47.2"x7.9")
- 6 x



**Simon Rack**  
 SINCE 1964 - MANUFACTURER

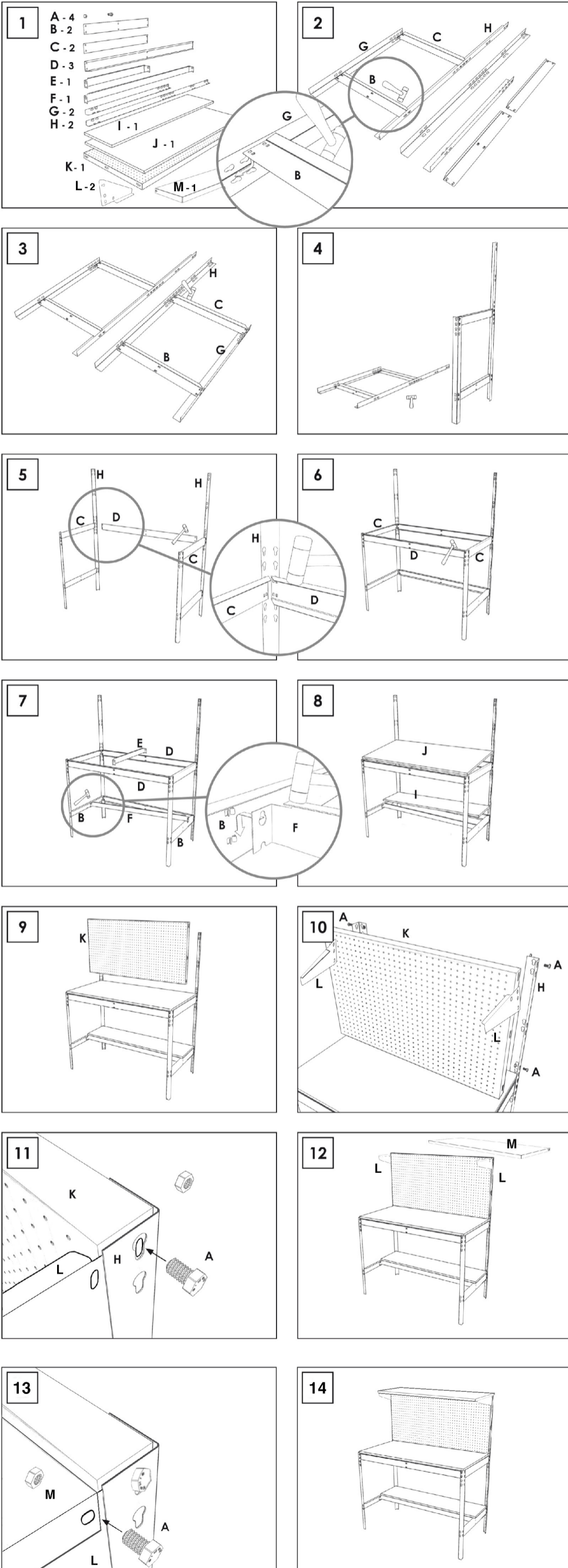
ESTANTERIAS SIMON S.L. B.50.556.463  
 PG. ALFAMEN C/ POLIGONO C. Nº3  
 ALFAMEN (ZARAGOZA)



[www.simonrack.com](http://www.simonrack.com)



INSTRUCCIONES  
 INSTRUCTIONS  
 ANLEITUNG  
 INSTRUCTIONS



**SIMONCLASSIC**



**SIMONCLICK**



**SIMONTALLER**



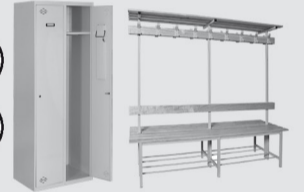
**SIMONAUTO**



**SIMONWORK**



**SIMONLOCKER**



**SIMONOFFICE**



**SIMONHOME**



**SIMONGARDEN**



**SIMONTITÁN**



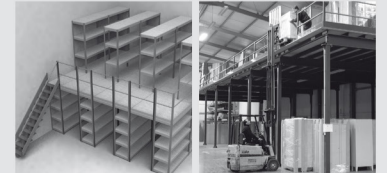
**SIMONINOX**



**SIMONINDUSTRIAL**



ALTILLOS Y PASILLOS ELEVADOS  
PLATFORMS AND MEZZANINES  
LAGERBÜHNEN • PLATES-FORMES ET MEZZANINES



\* Kg / lb por bandeja con carga uniformemente repartida  
Kg / lb per shelf uniformly distributed load  
Kg / lb pro fach bei gleichmäßig verteilter last  
Kg / lb par plateau avec charge uniformément répartie

