

# SIMONWORK BT4 BOX 1200

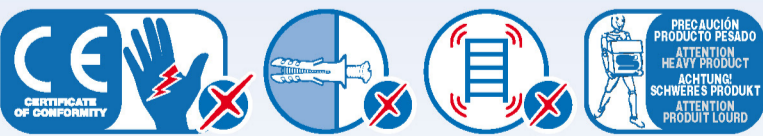


**144,5 x 121 x 75 cm**  
**56.9" x 47.6" x 29.5"**

**5** Años Garantía  
 Years Guarantee  
 Jahre Garantie  
 Ans Garantie  
**SIMONRACK**



- |  |  |                    |  |                             |  |
|--|--|--------------------|--|-----------------------------|--|
| 2 x 56 cm (22.0")<br>2 x 84 cm (33.1")<br>2 x 144 cm (56.7") | 1 x 75x120 cm (29.5"x47.2") MDF<br>1 x 40x120 cm (15.7"x47.2") | 3 x 120 cm (47.2") | 4 x 75 cm (29.5")<br>2 x 30 cm (11.8") | 1 x 120x30 cm (47.2"x11.8") | 8 x  |
| 1 x 120 cm (47.2")<br>1 x 75 cm (29.5")                      | 2 x 30 cm (11.8")  | 1 x 120 cm (47.2") | 2 x 75 cm (29.5")                      | 2 x 58 cm (22.8")           | 1 x 35 kg (80 lb)<br>56x107 cm (22.0"x42.1") |



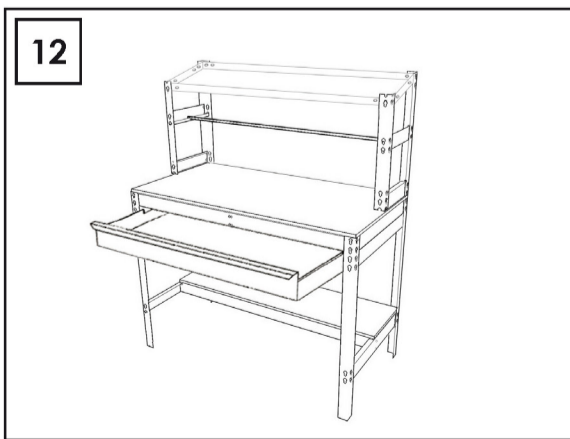
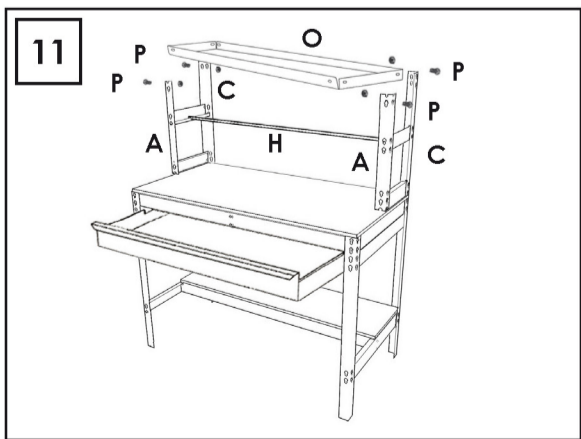
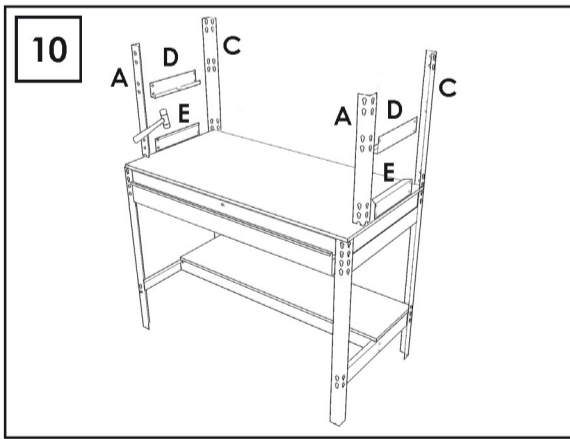
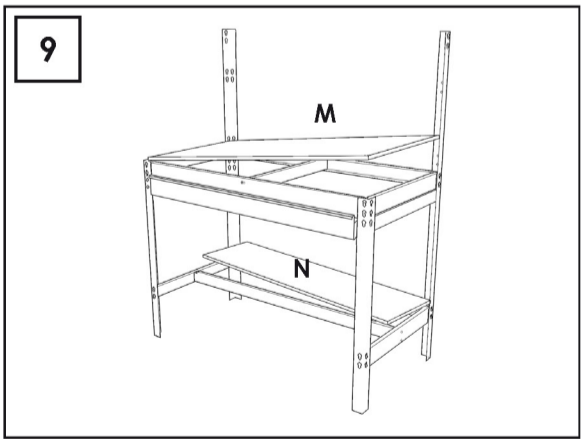
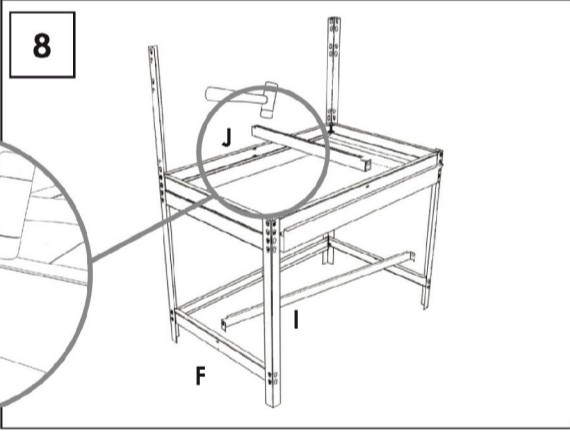
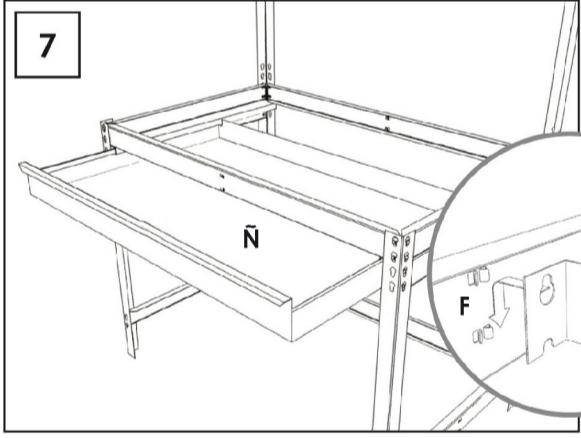
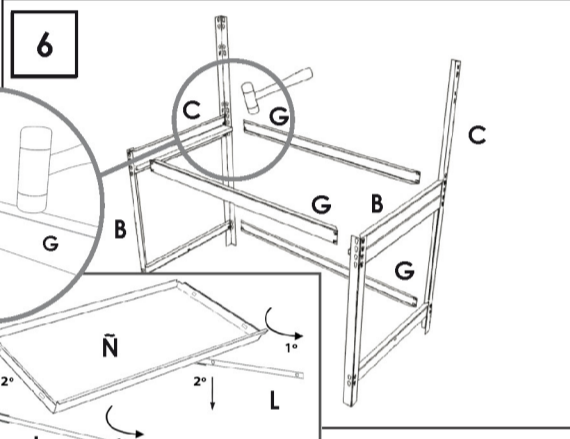
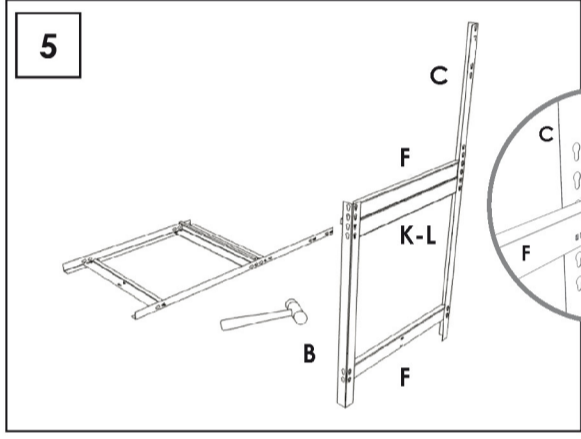
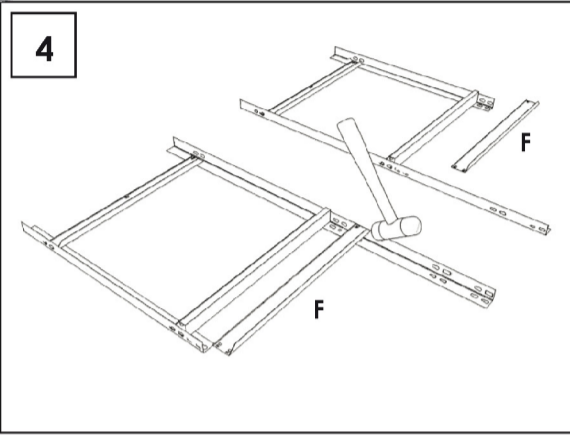
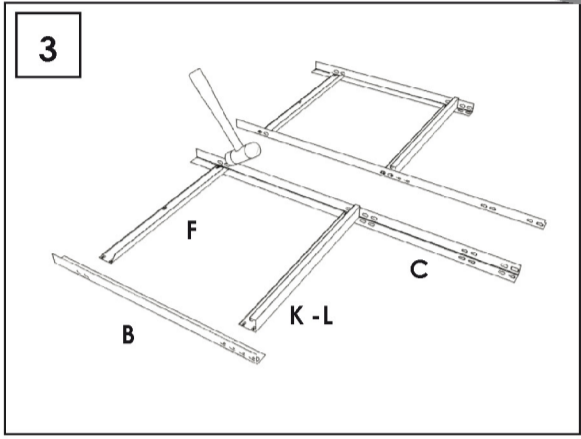
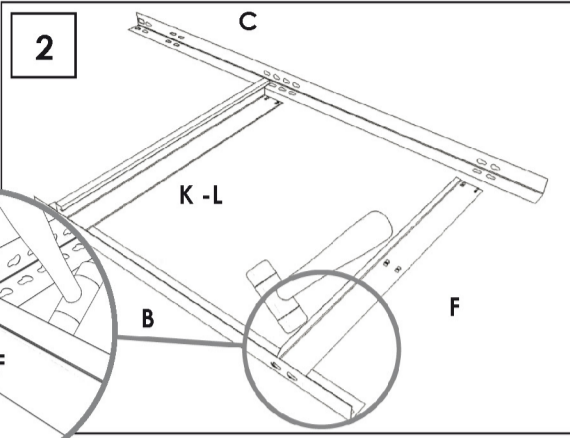
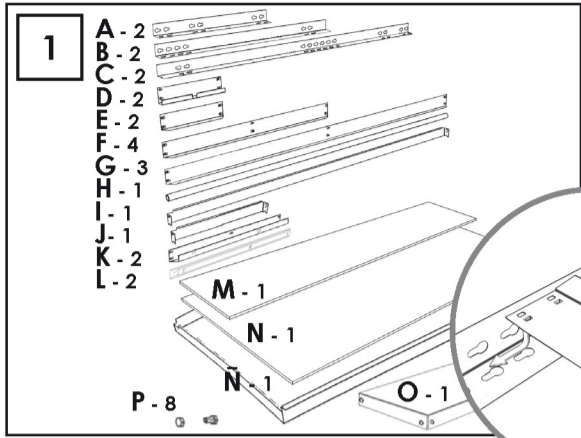
ESTANTERIAS SIMON S.L. B.50.556.463  
 PG. ALFAMEN C/ POLIGONO C. Nº3  
 ALFAMEN (ZARAGOZA)




[www.simonrack.com](http://www.simonrack.com)



INSTRUCCIONES  
 INSTRUCTIONS  
 ANLEITUNG  
 INSTRUCTIONS




**SIMONCLASSIC**




150 kg  
350 lb

**SIMONCLICK**




400 kg  
900 lb

**SIMONTALLER**




700 kg  
1550 lb

**SIMONAUTO**




300 kg  
660 lb

**SIMONWORK**




800 kg  
1800 lb

**SIMONLOCKER**




**SIMONOFFICE**




275 kg  
600 lb

**SIMONHOME**




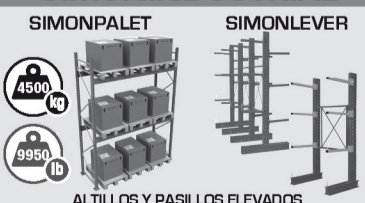
150 kg  
350 lb

**SIMONGARDEN**



600 kg  
1350 lb

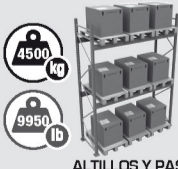

**SIMONTITÁN**      **SIMONINOX**

900 kg  
1990 lb


**SIMONINDUSTRIAL**

**SIMONPALET**      **SIMONLEVER**

4500 kg  
9950 lb

ALTILLOS Y PASILLOS ELEVADOS  
PLATFORMS AND MEZZANINES  
LAGERBÜHNEN • PLATES-FORMES ET MEZZANINES



www.simonrack.com • www.instructionsrack.com • www.bt4.com



\* Kg / lb por bandeja con carga uniformemente repartida  
Kg / lb per shelf uniformly distributed load  
Kg / lb pro fach bei gleichmäßig verteilter last  
Kg / lb par plateau avec charge uniformément répartie