

SIMONWORK BT6 PRO BOX 1200

Laminate



865 x 1200 x 750 mm
34" x 47.2" x 29.5"



5 Años Garantía
Years Guarantee
Jahre Garantie
Ans Garantie
Anos de Garantia
SIMONRACK



Simon Rack
SINCE 1964 - MANUFACTURER

ESTANTERIAS SIMON S.L. B.50.556.463
PG. ALFAMEN C/ POLIGONO C. Nº3
ALFAMEN (ZARAGOZA)



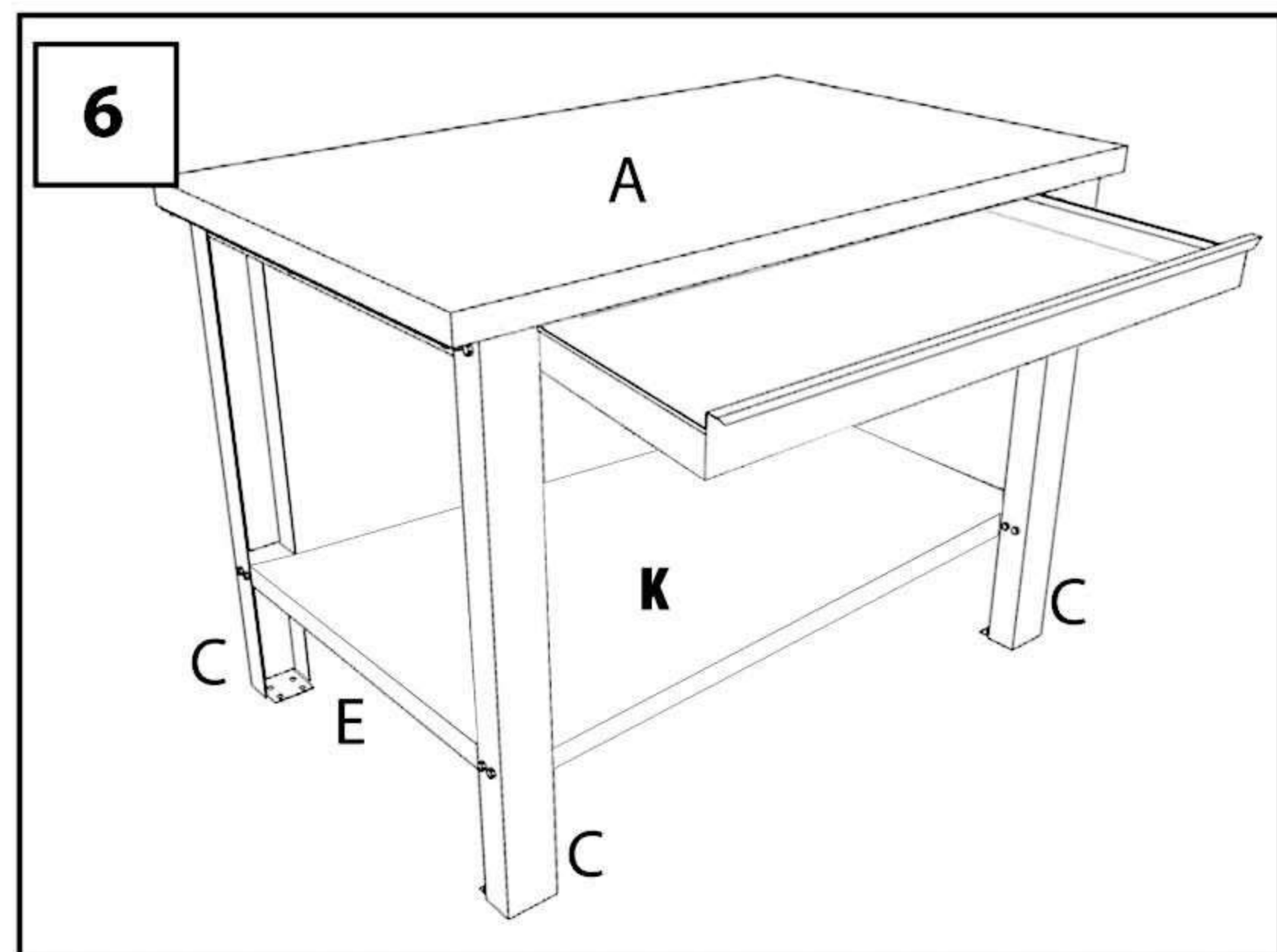
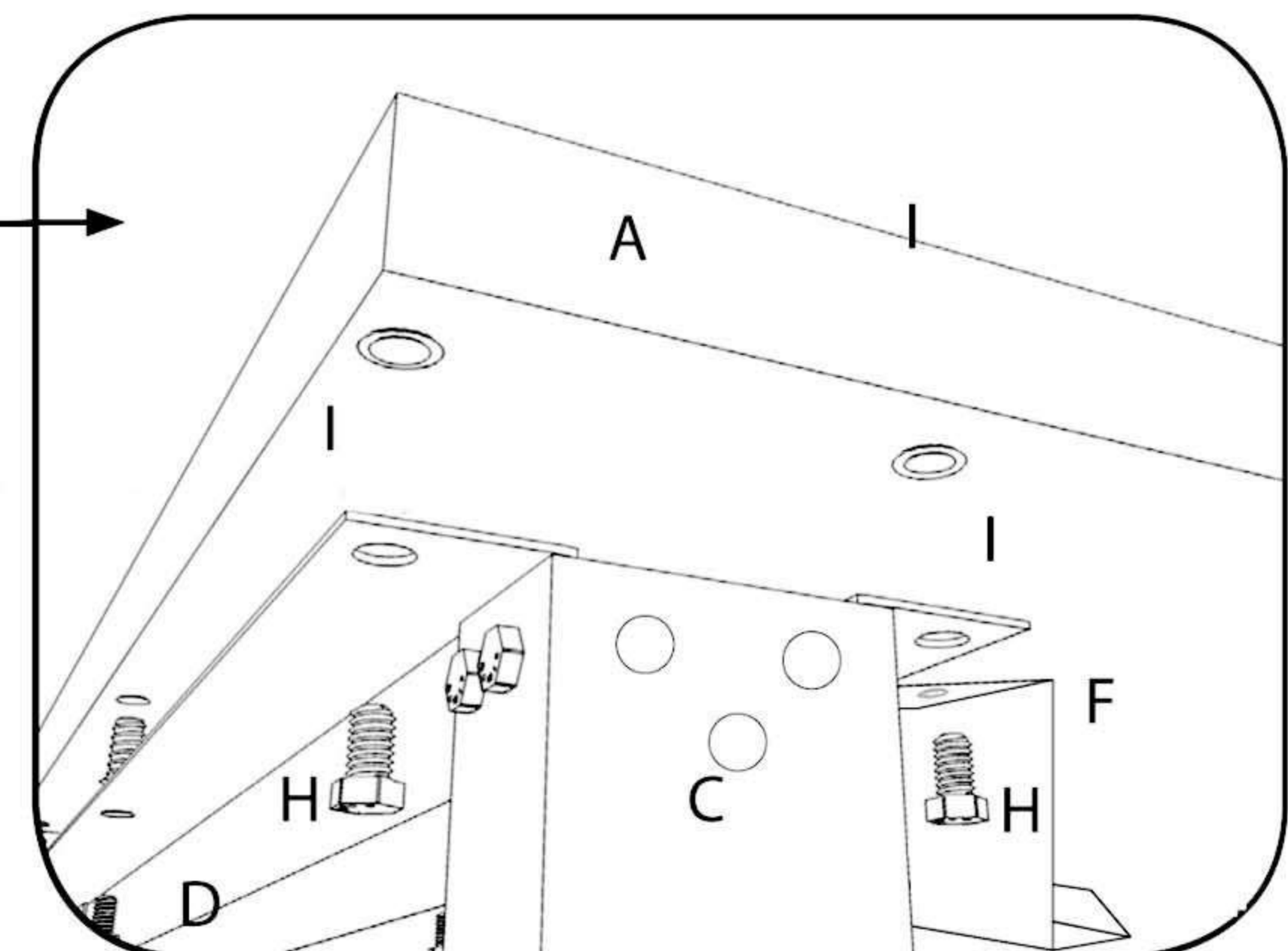
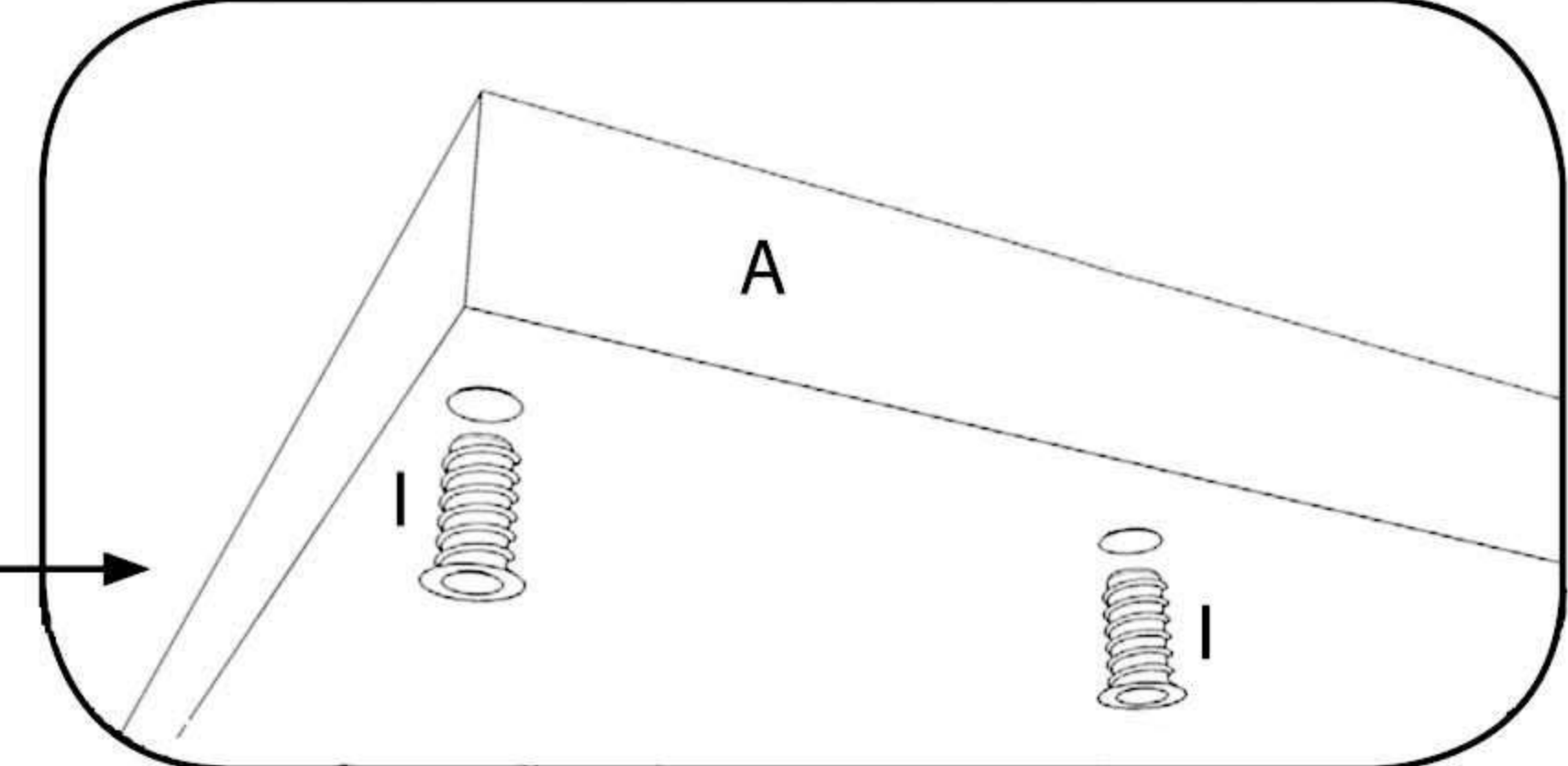
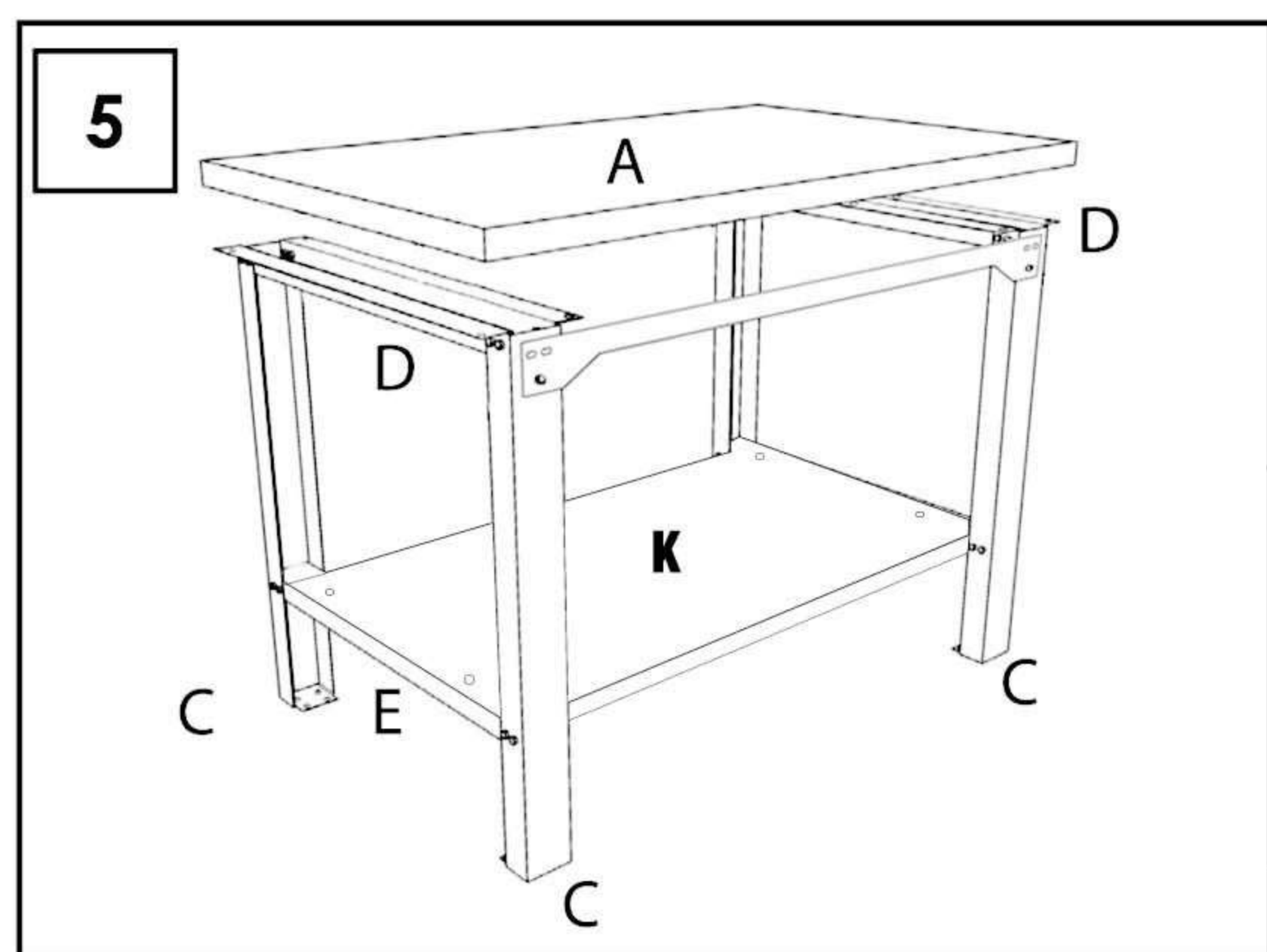
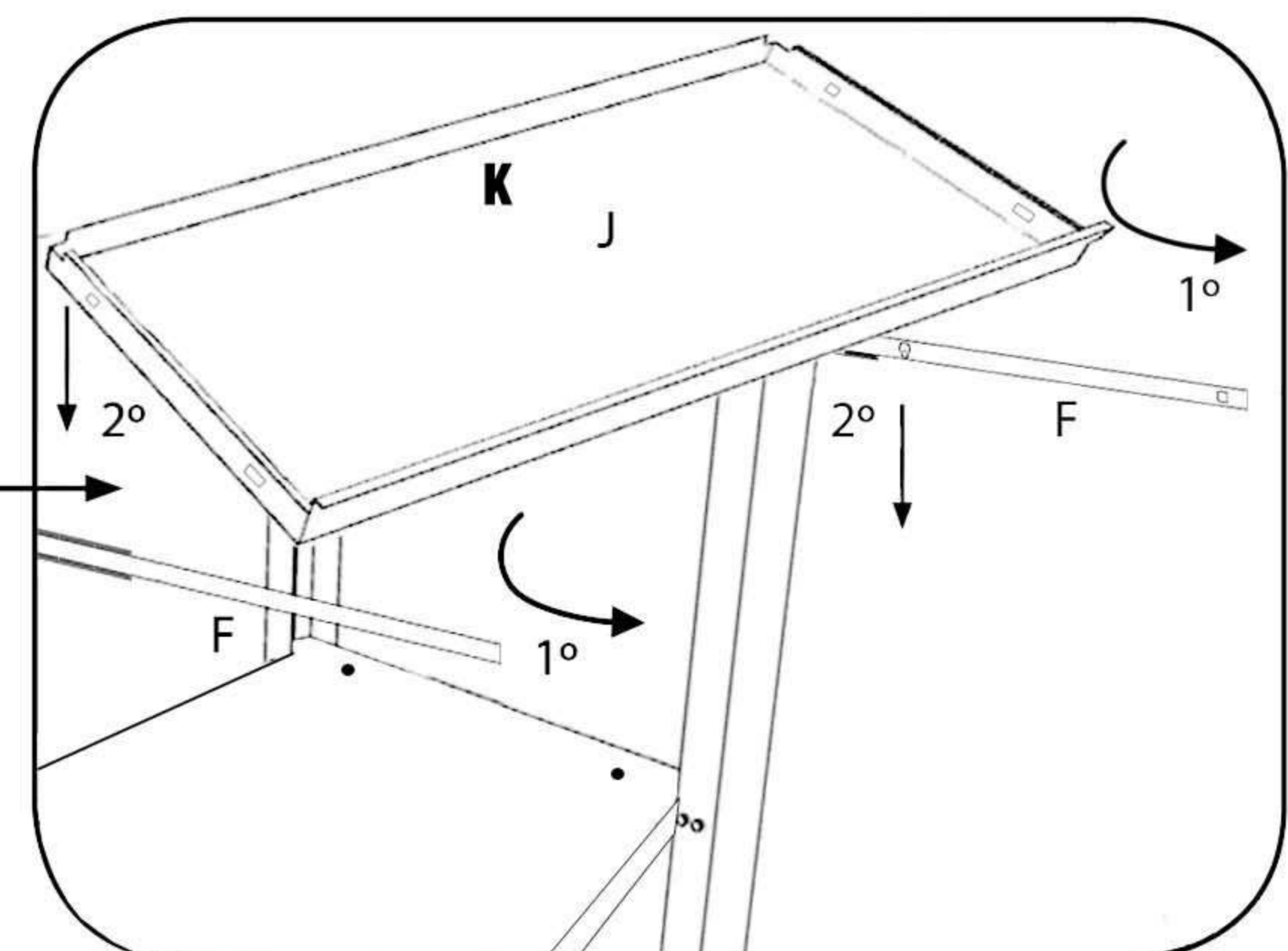
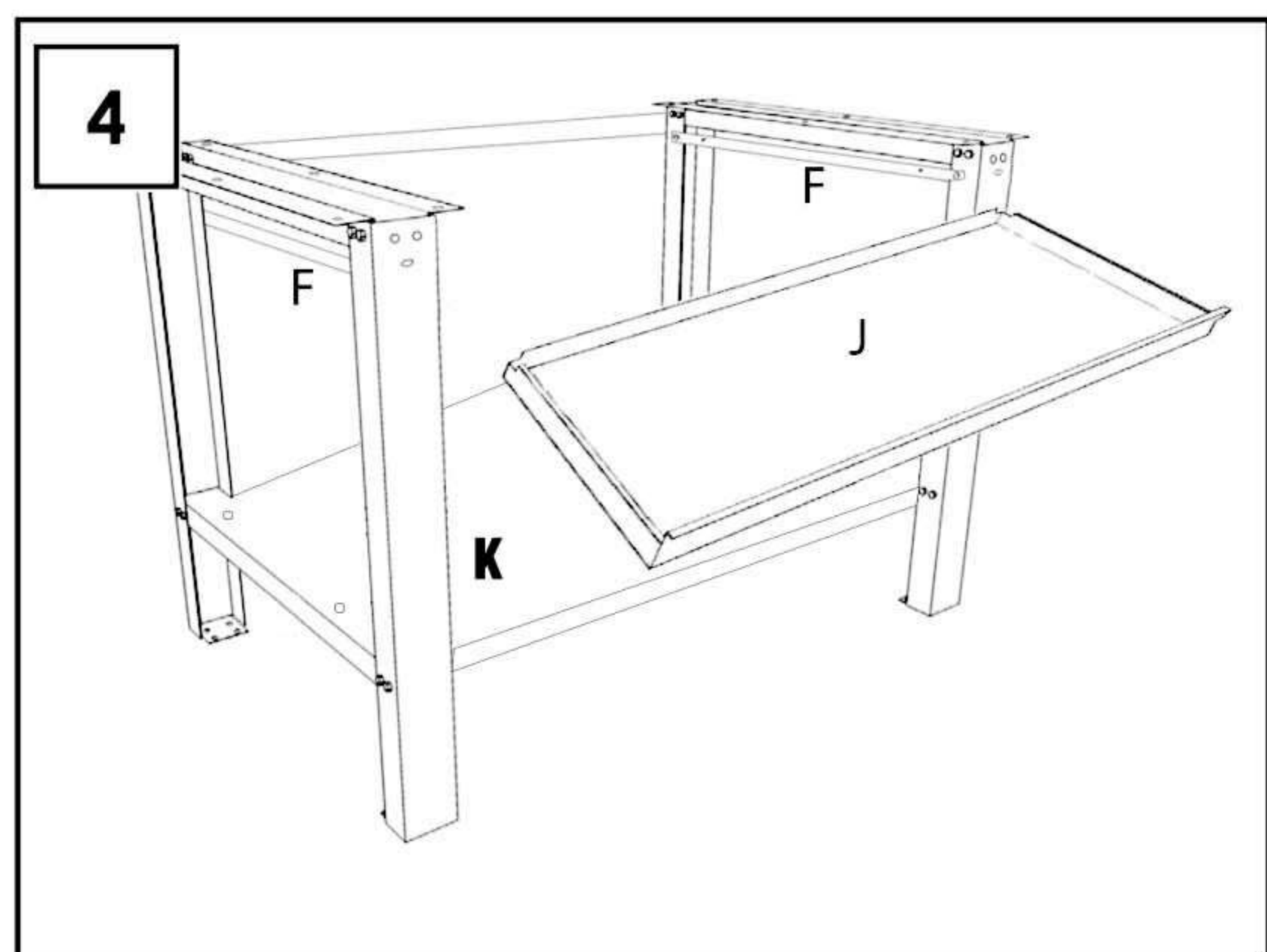
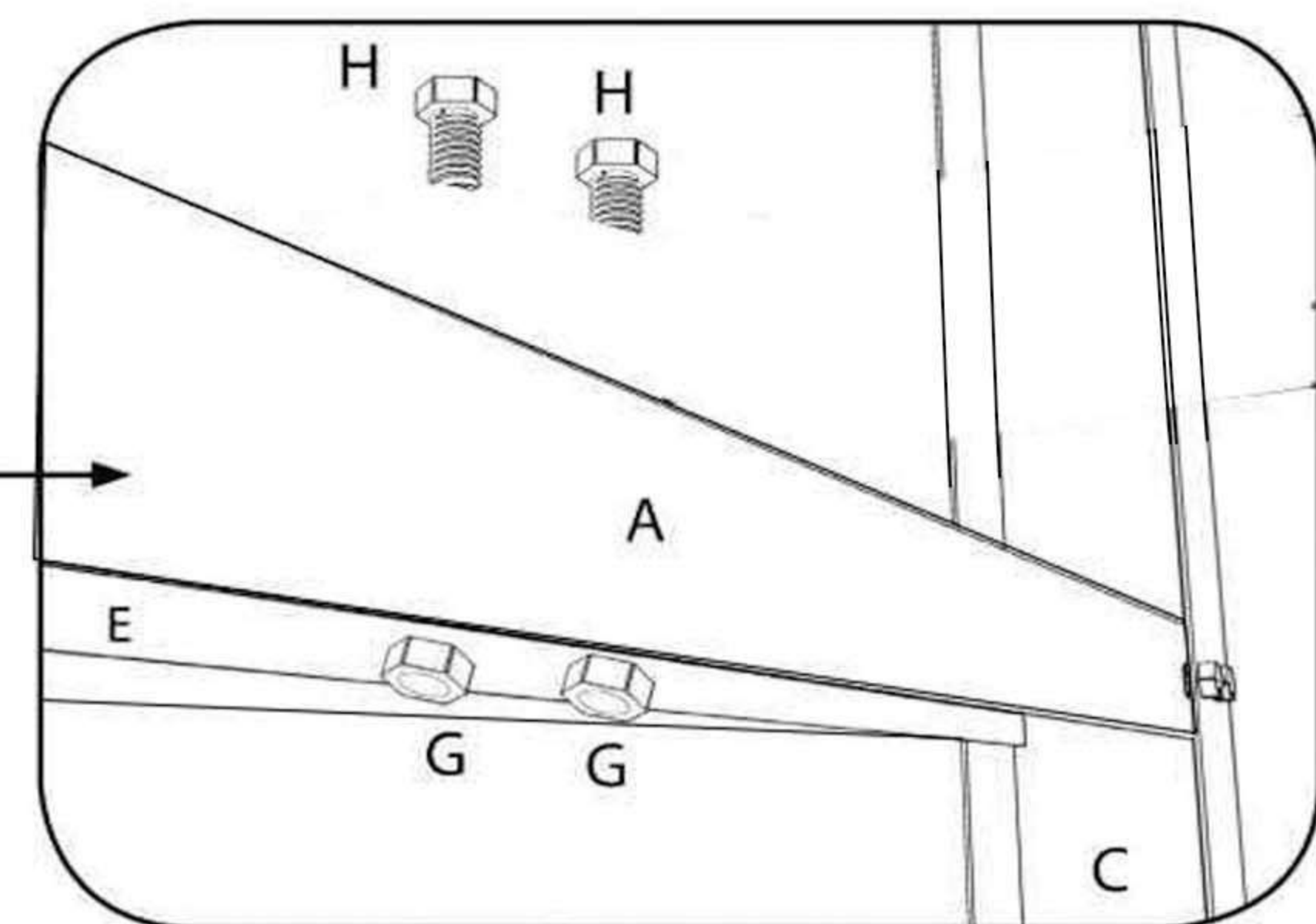
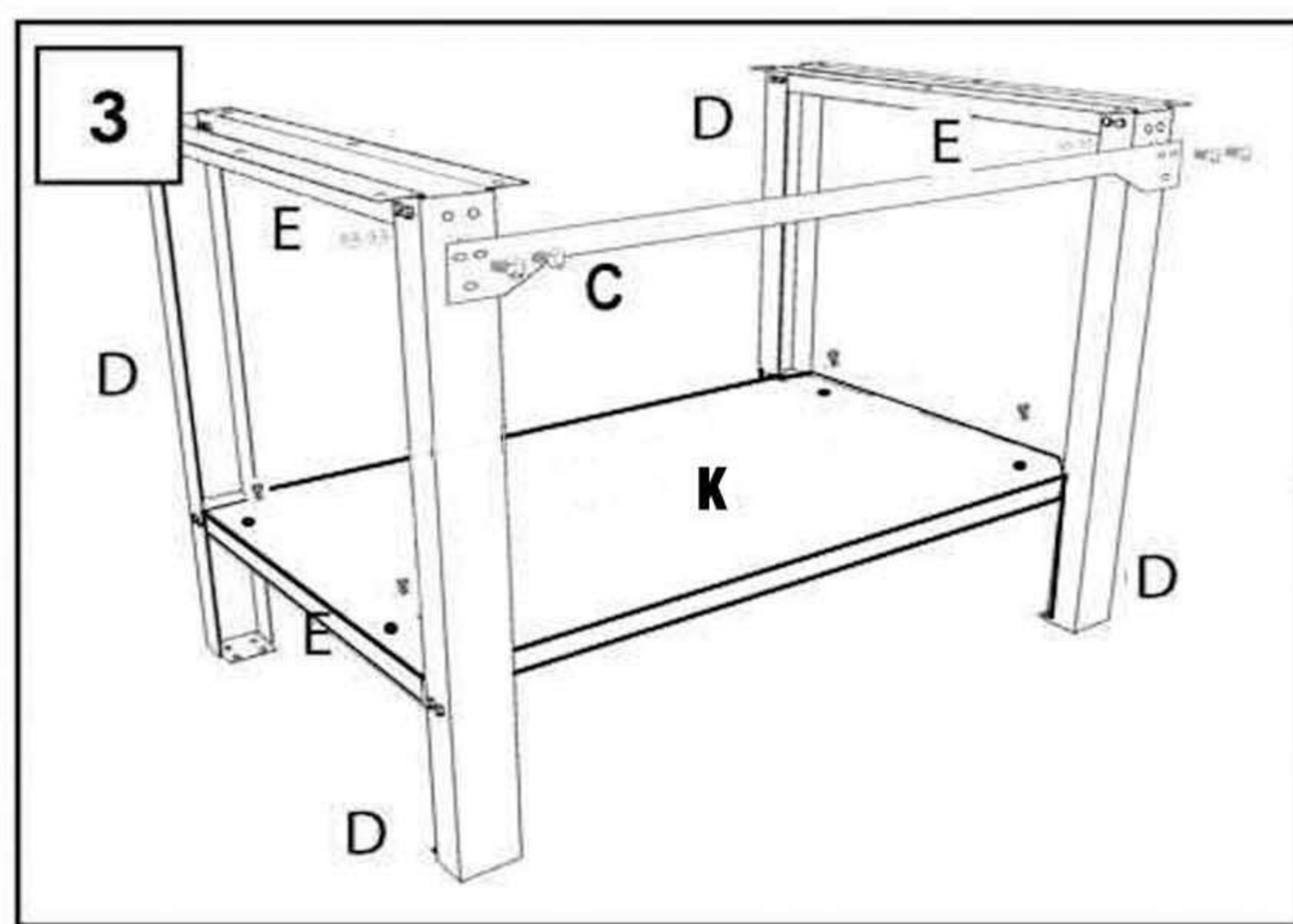
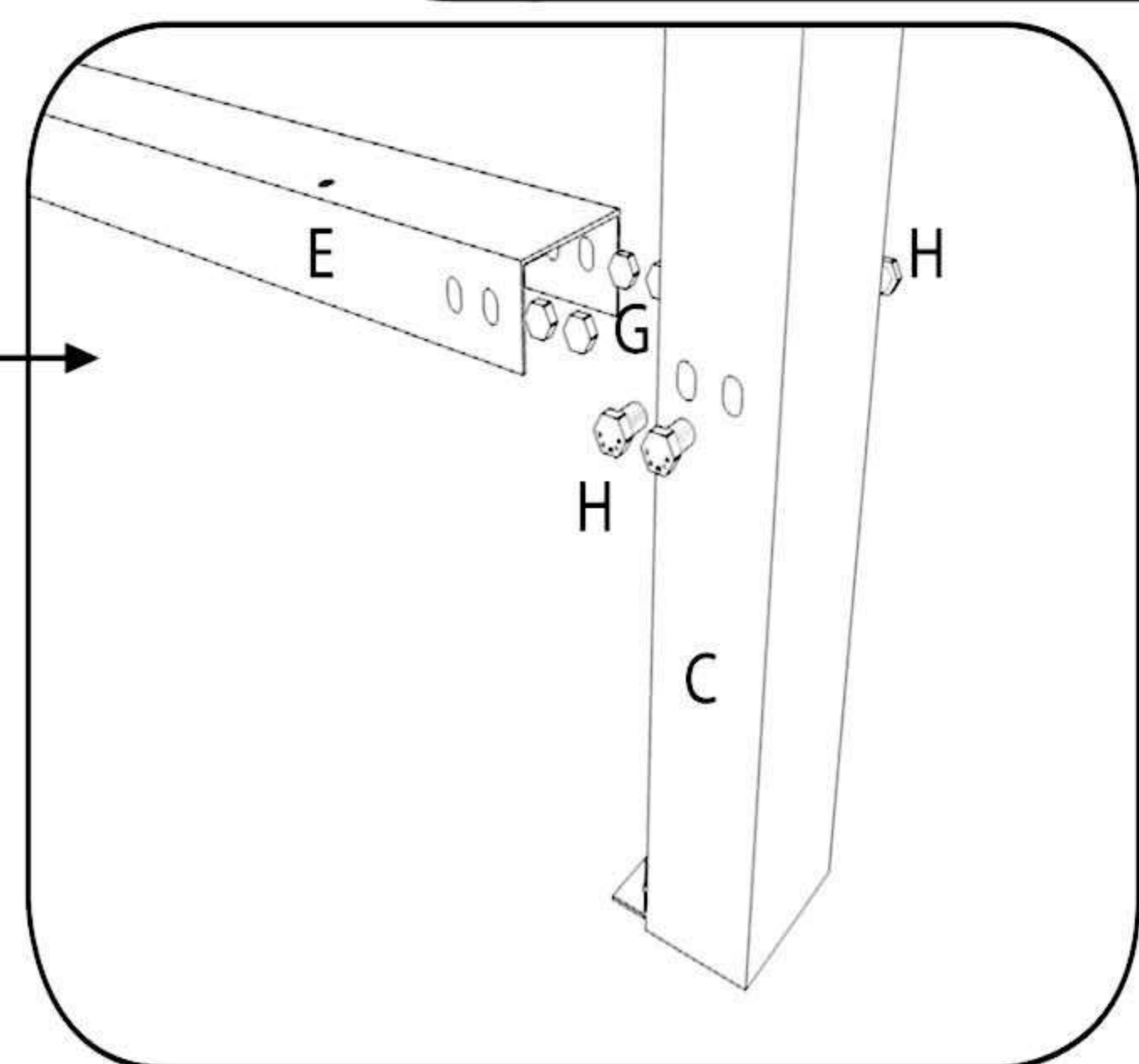
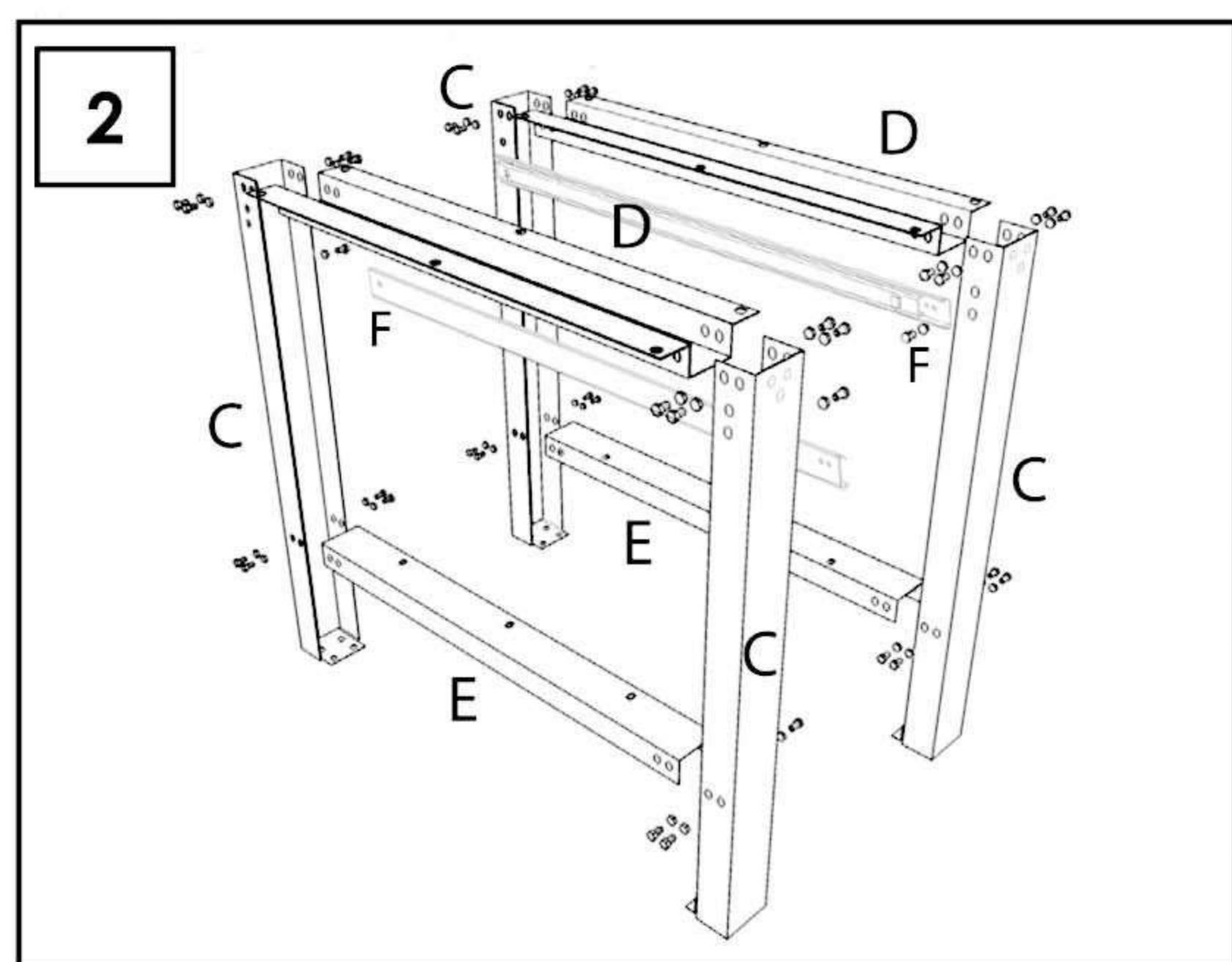
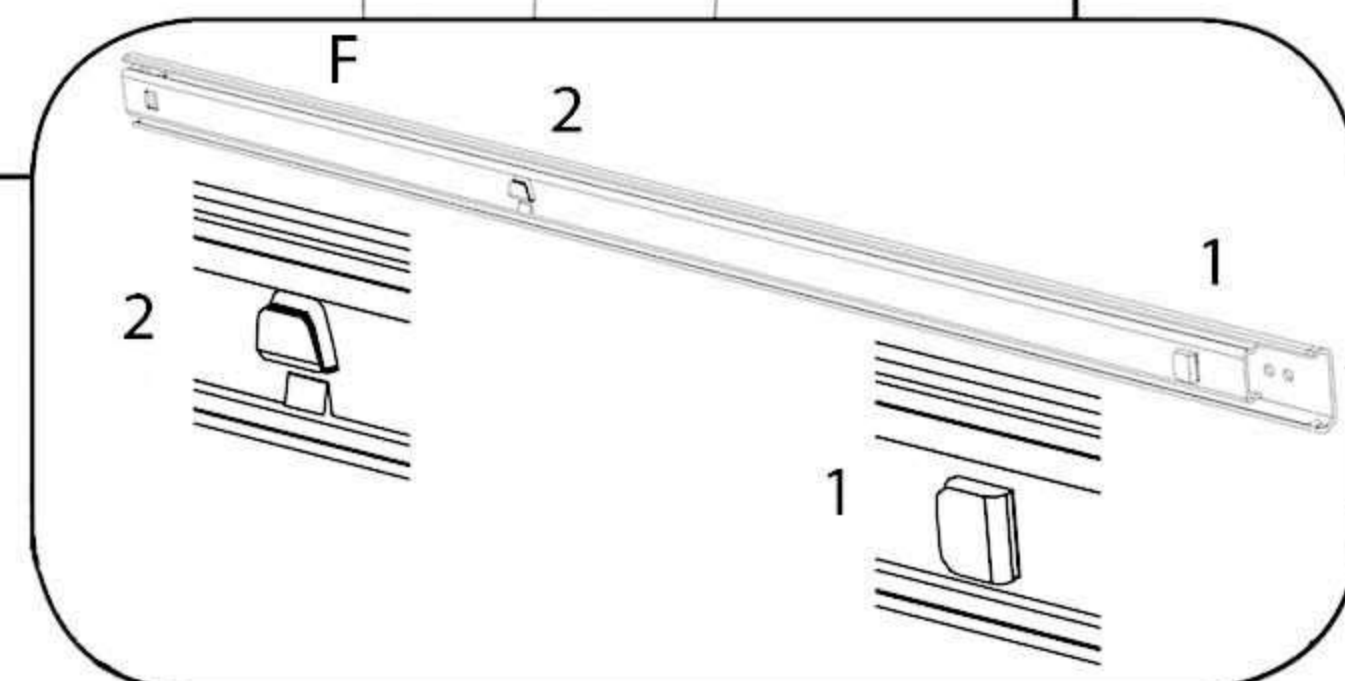
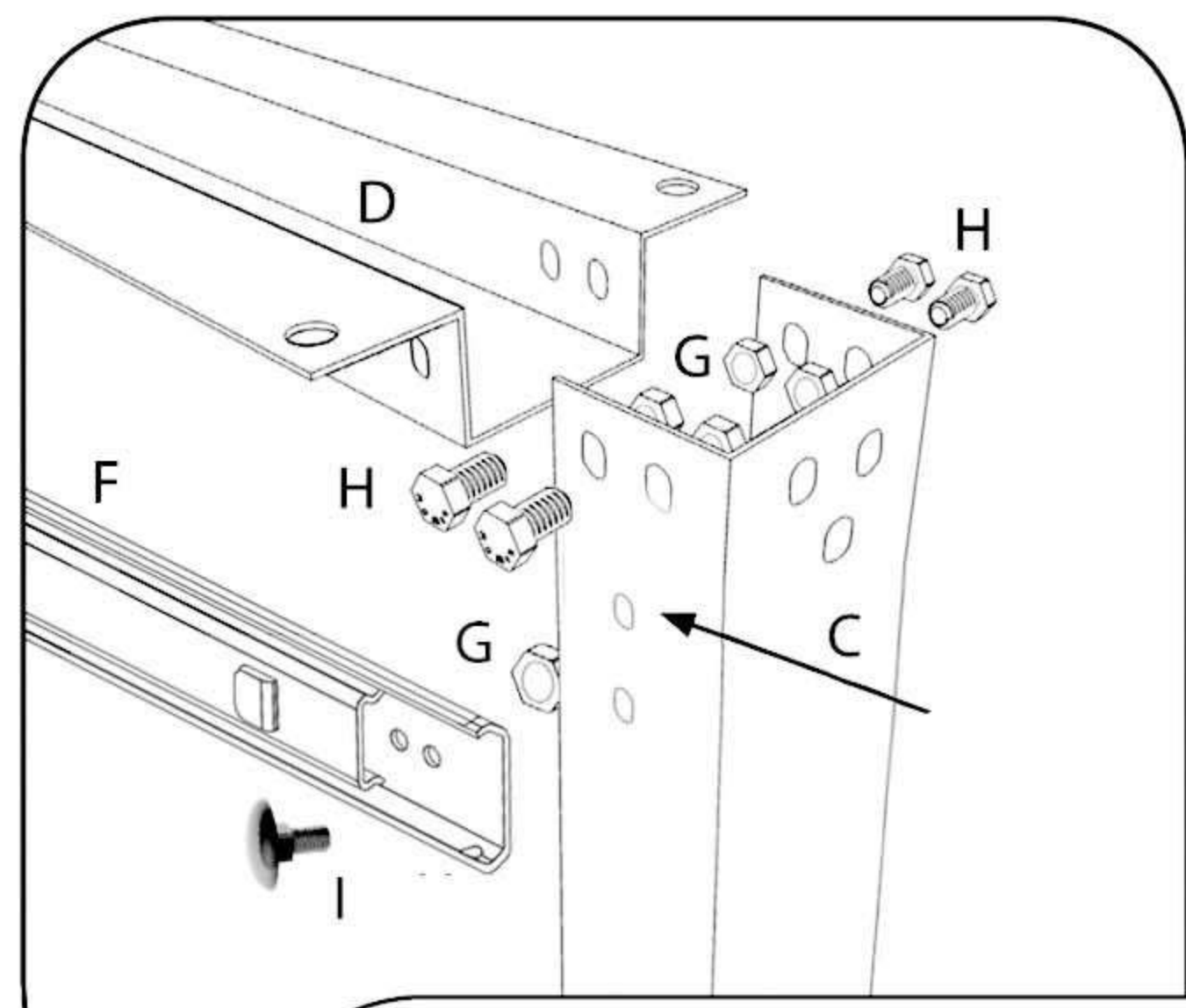
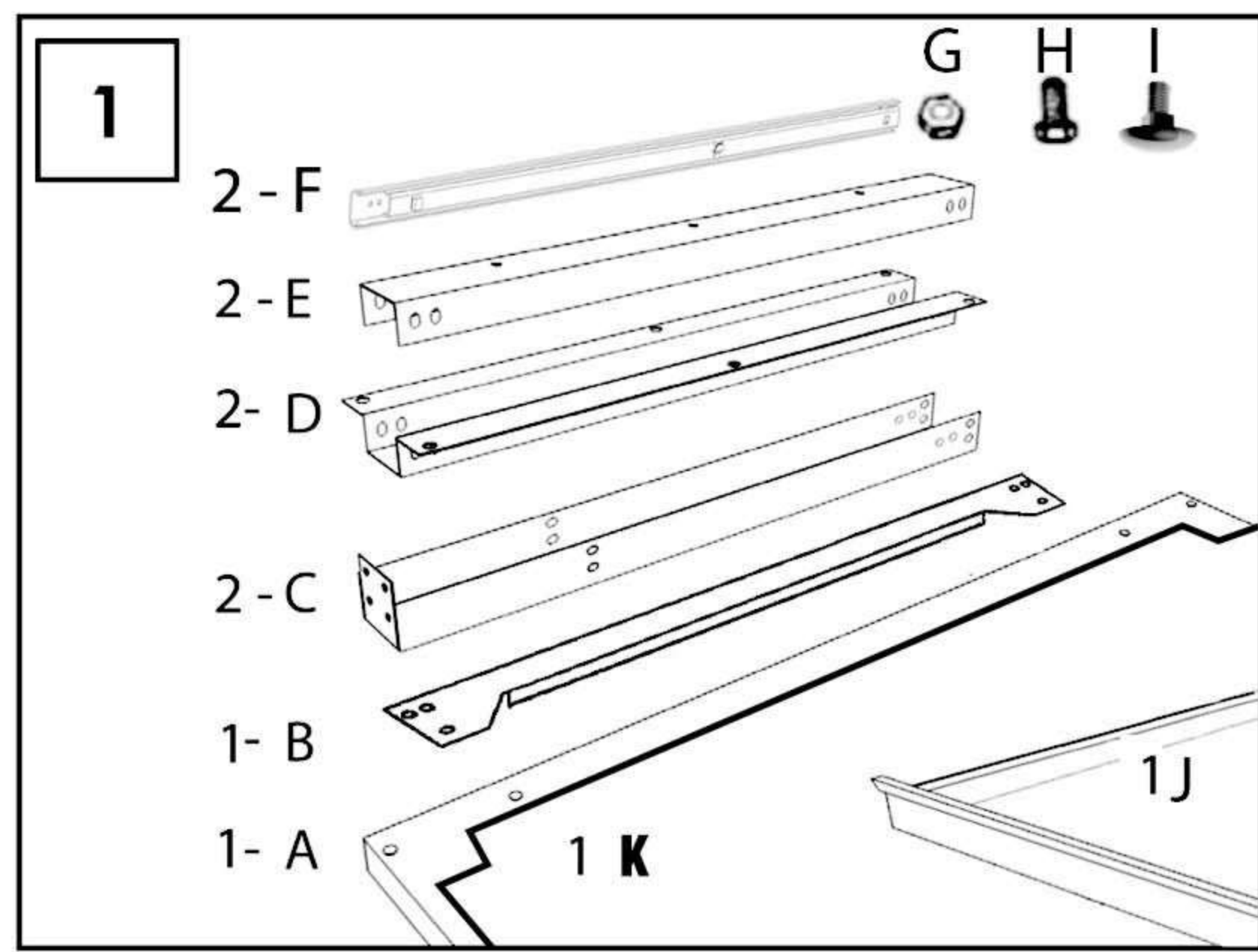
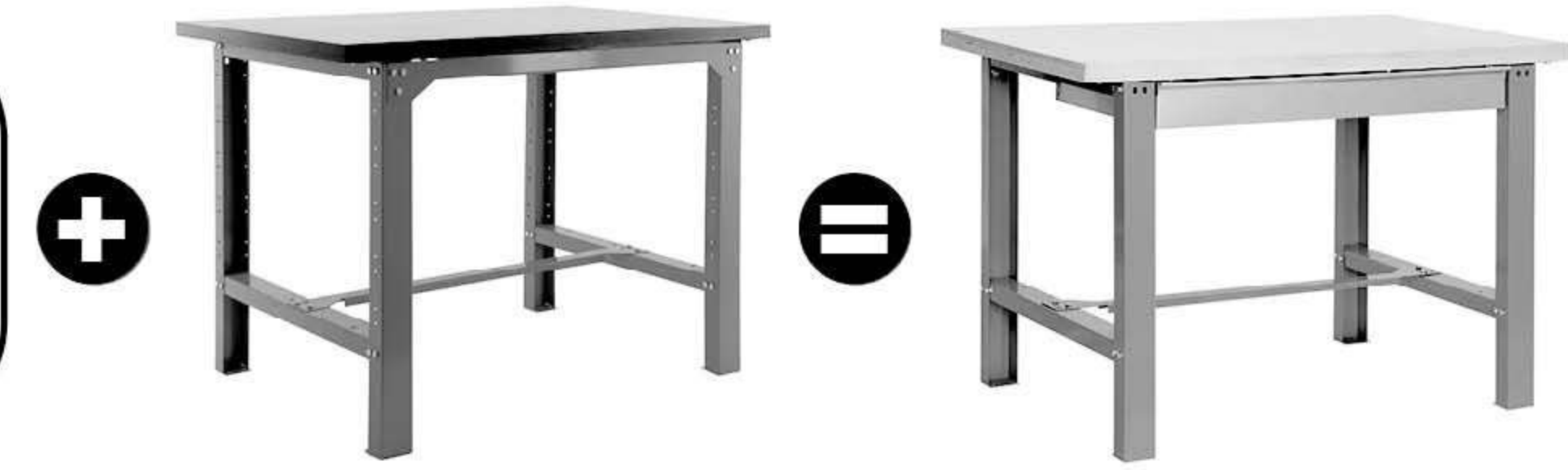
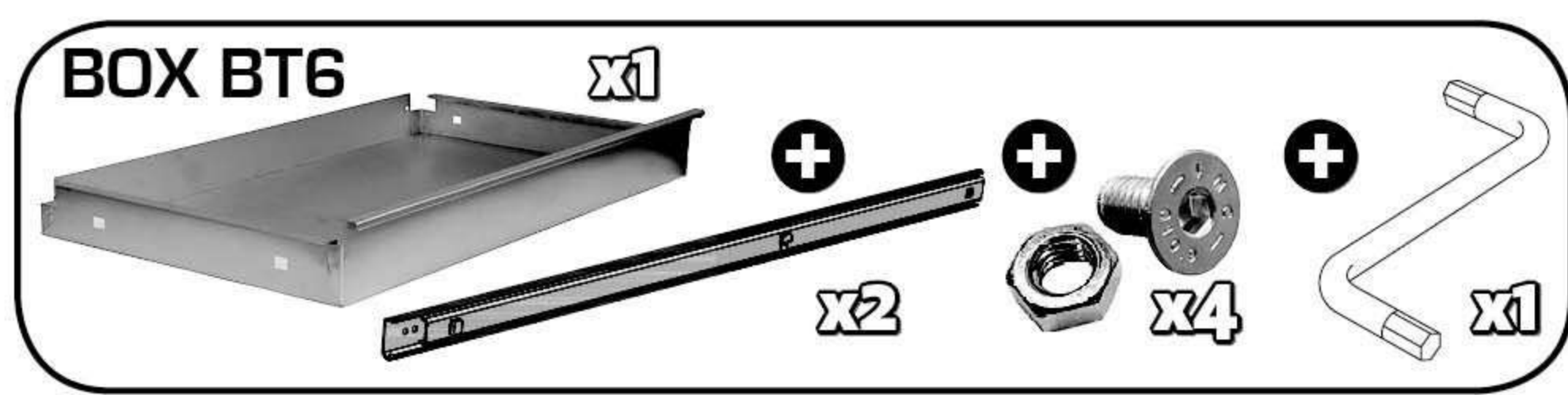
www.simonrack.com




INSTRUCCIONES
INSTRUCTIONS
ANLEITUNG
INSTRUCTIONS

SIMONWORK BOX BT6

BOX BT6 + BT6 = BT6 BOX




SIMONCLASSIC




150 kg
350 lb

SIMONCLICK




400 kg
900 lb

SIMONTALLER



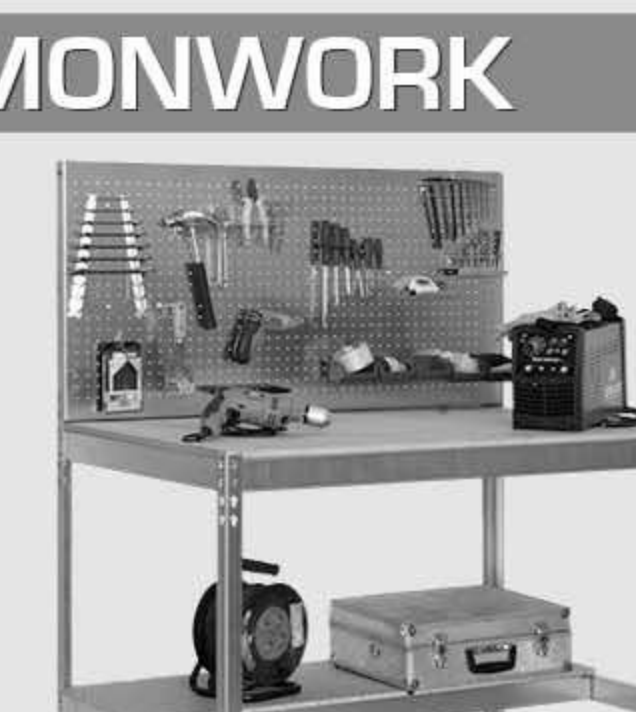
700 kg
1550 lb

SIMONAUTO




300 kg
660 lb

SIMONWORK




800 kg
1800 lb

SIMONLOCKER




SIMONOFFICE




275 kg
600 lb

SIMONHOME




150 kg
350 lb

SIMONGARDEN




600 kg
1350 lb

SIMONTITÁN




900 kg
1990 lb

SIMONINOX




SIMONINDUSTRIAL

SIMONPALET **SIMONLEVER**



4500 kg
9950 lb

ALTILLOS Y PASILLOS ELEVADOS
PLATFORMS AND MEZZANINES
LAGERBÜHNEN • PLATES-FORMES ET MEZZANINES



* Kg / lb per bandeja con carga uniformemente repartida
Kg / lb per shelf uniformly distributed load
Kg / lb pro fach bei gleichmäßig verteilter last
Kg / lb par plateau avec charge uniformément répartie