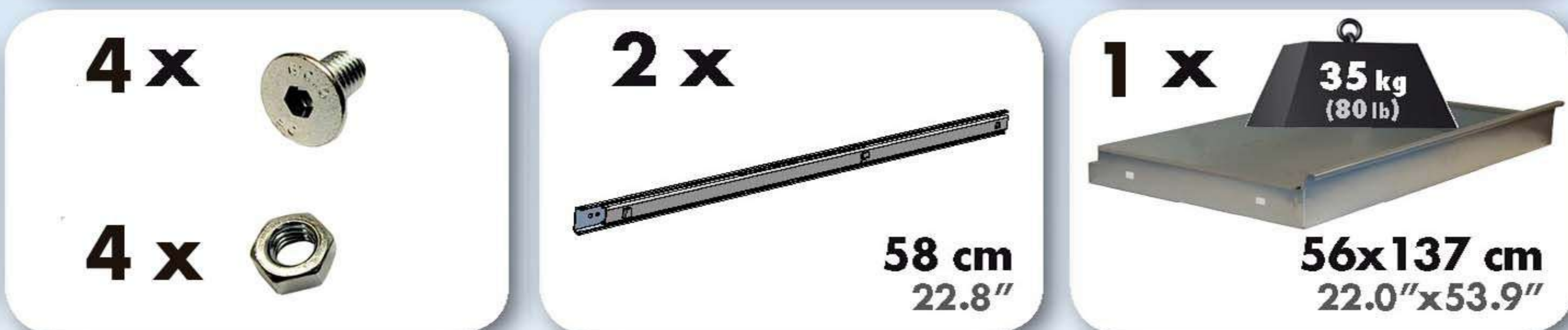
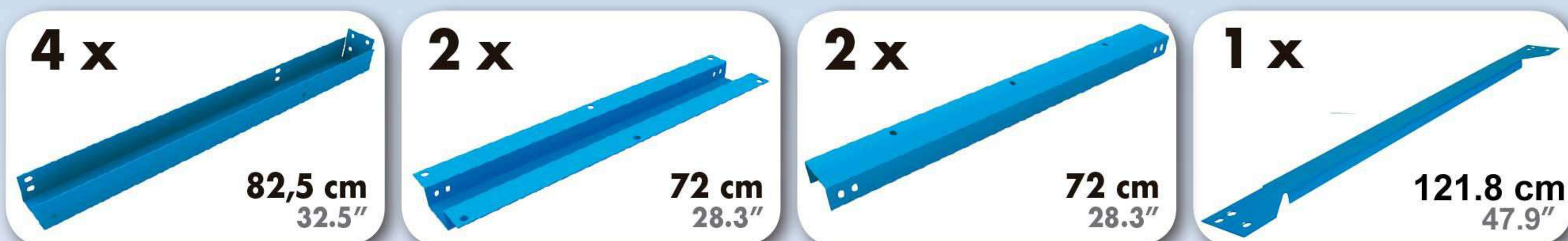
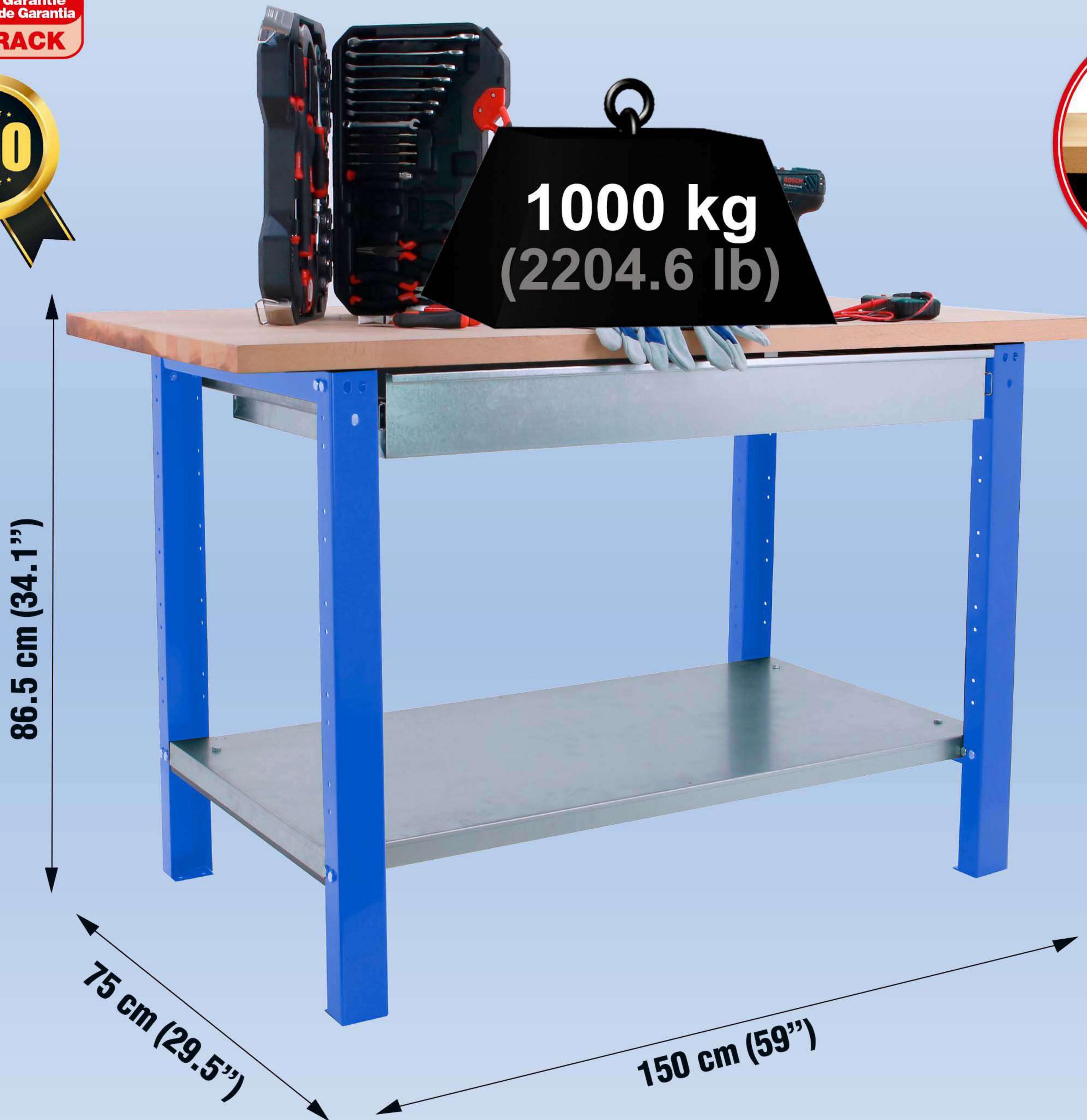


SIMONWORK BT6 PRO 1500

Laminate



5 Años Garantía
Years Guarantee
Jahre Garantie
Anos de Garantia
SIMONRACK



Simon Rack
SINCE 1964 - MANUFACTURER

ESTANTERIAS SIMON S.L. B.50.556.463
PG. ALFAMEN C/ POLIGONO C. Nº3
ALFAMEN (ZARAGOZA)



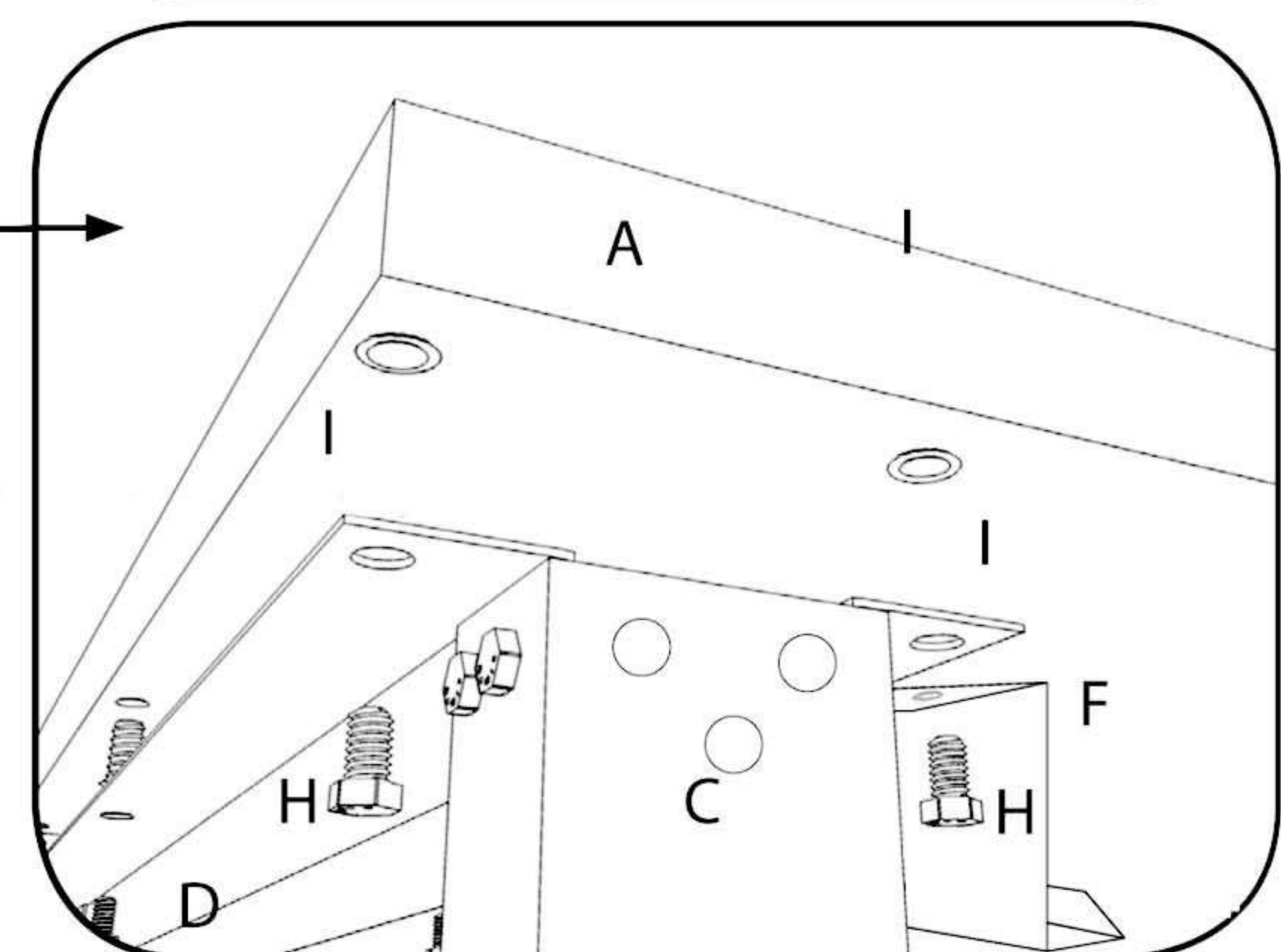
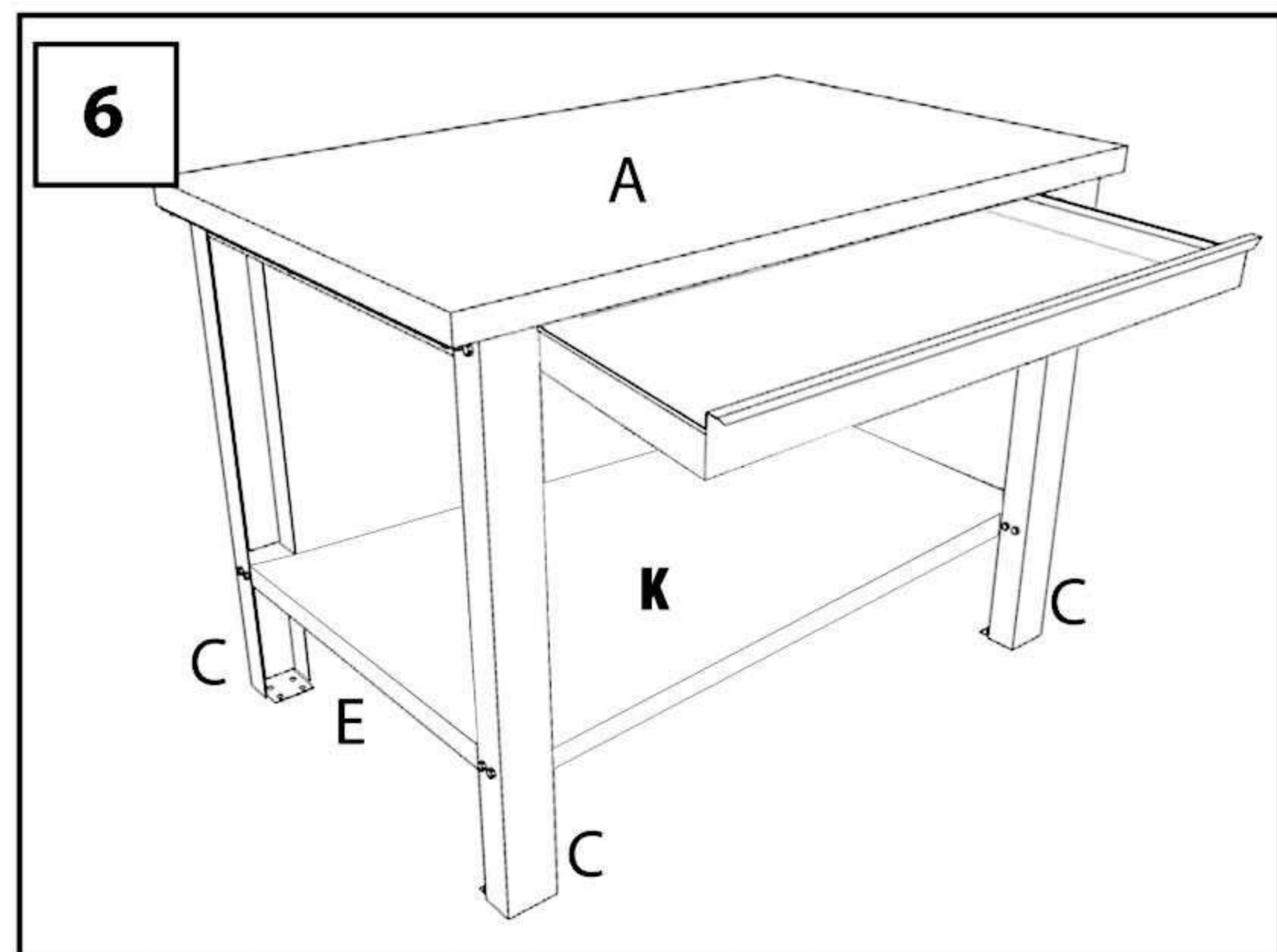
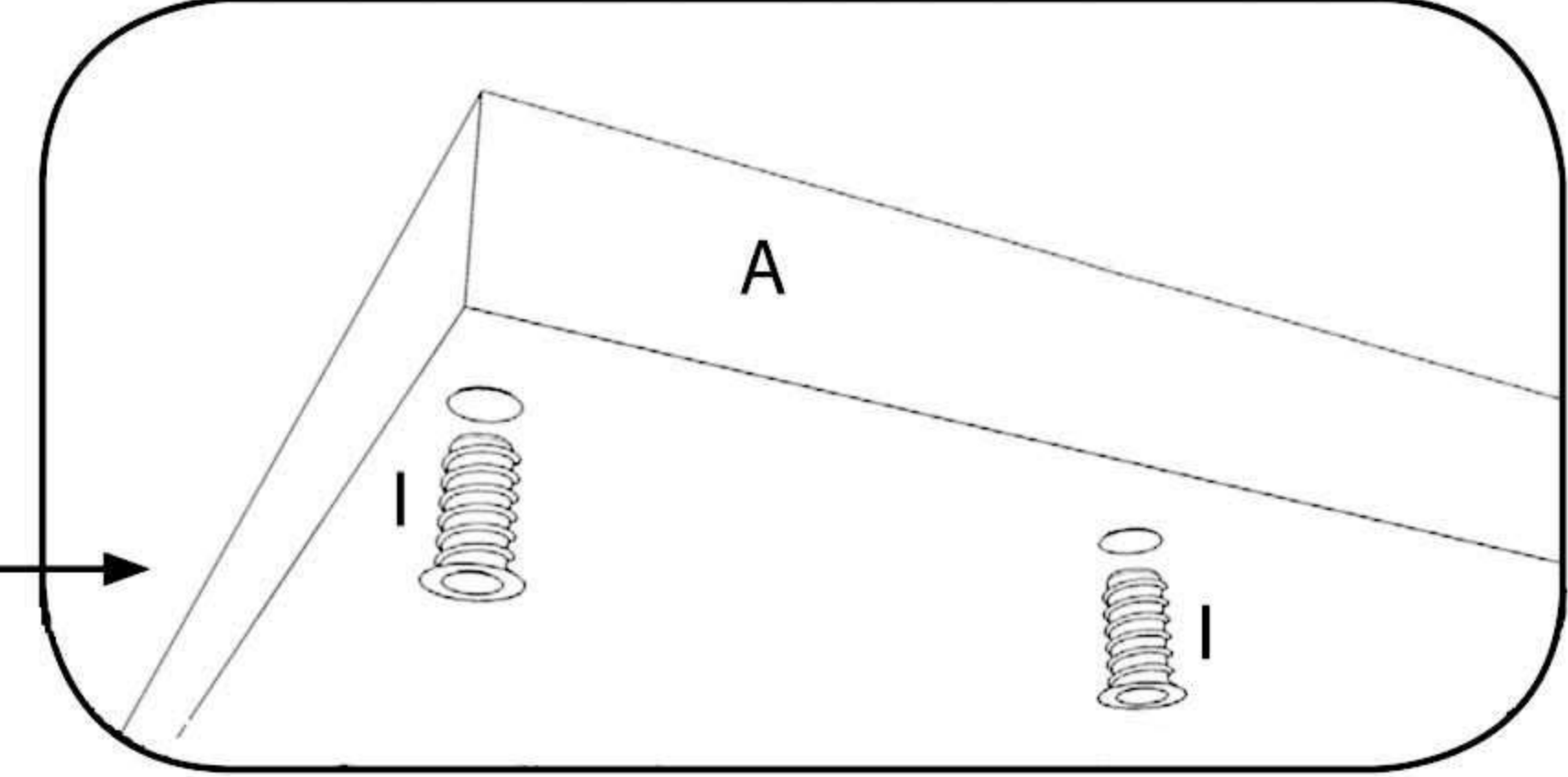
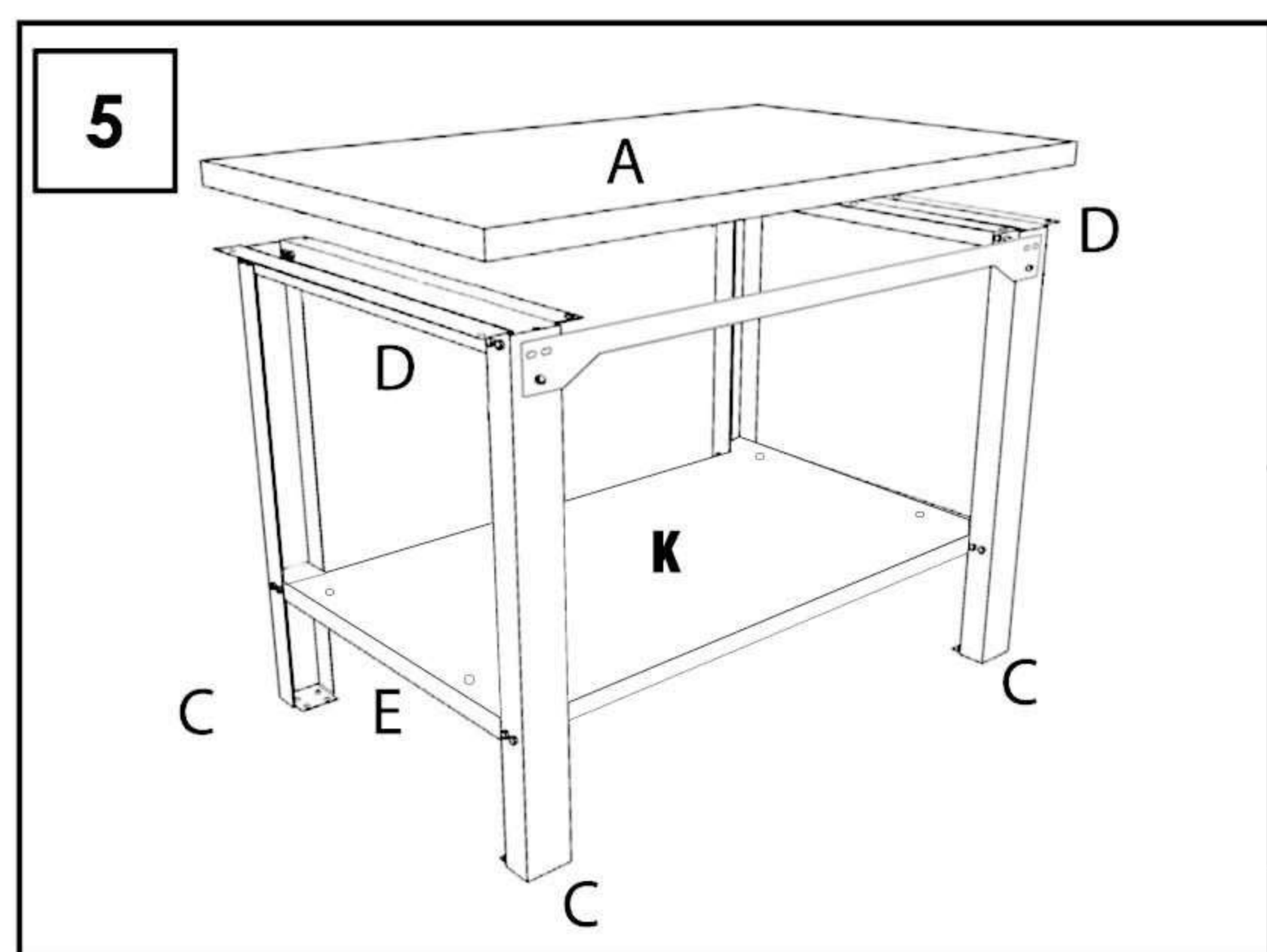
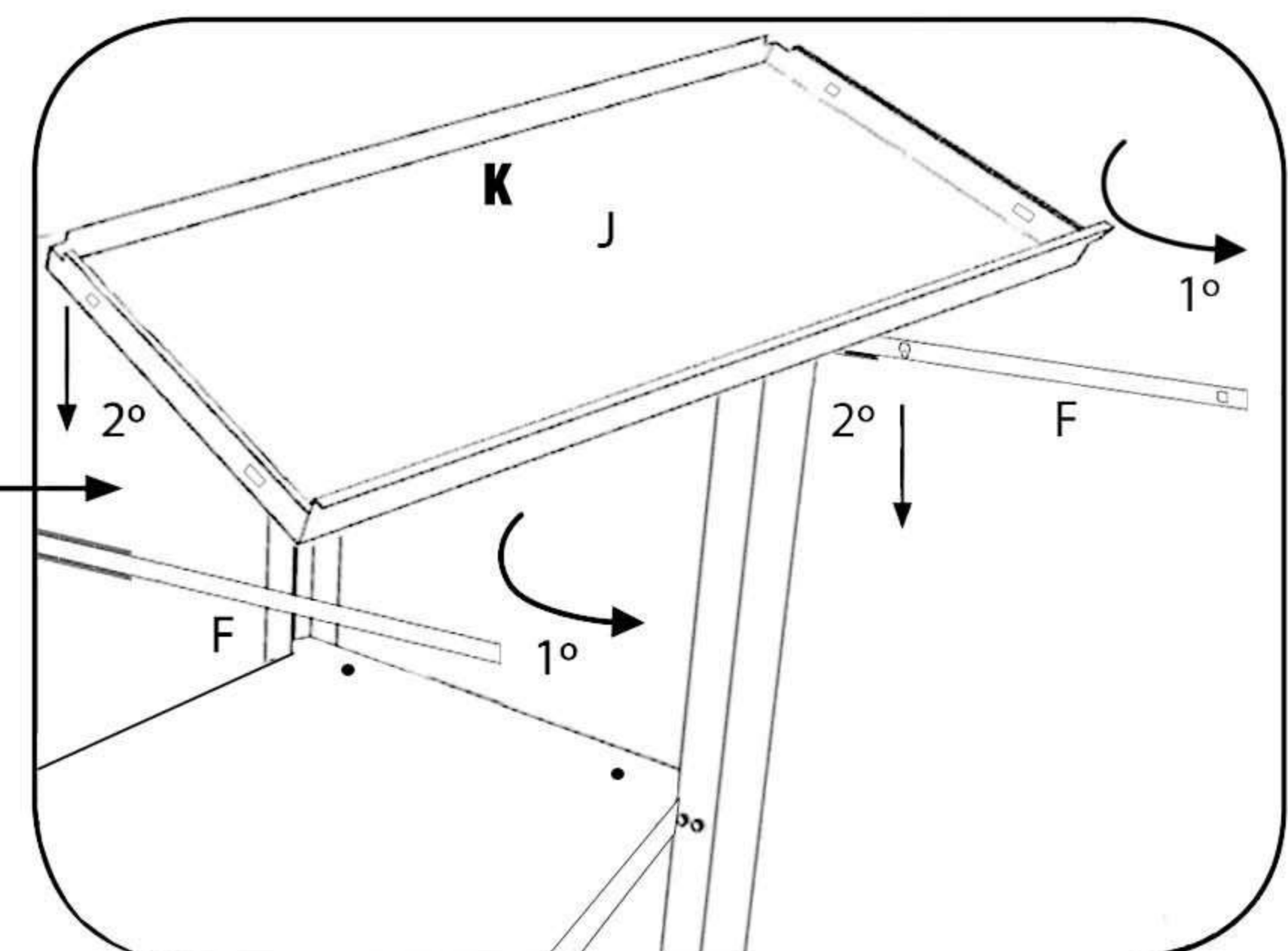
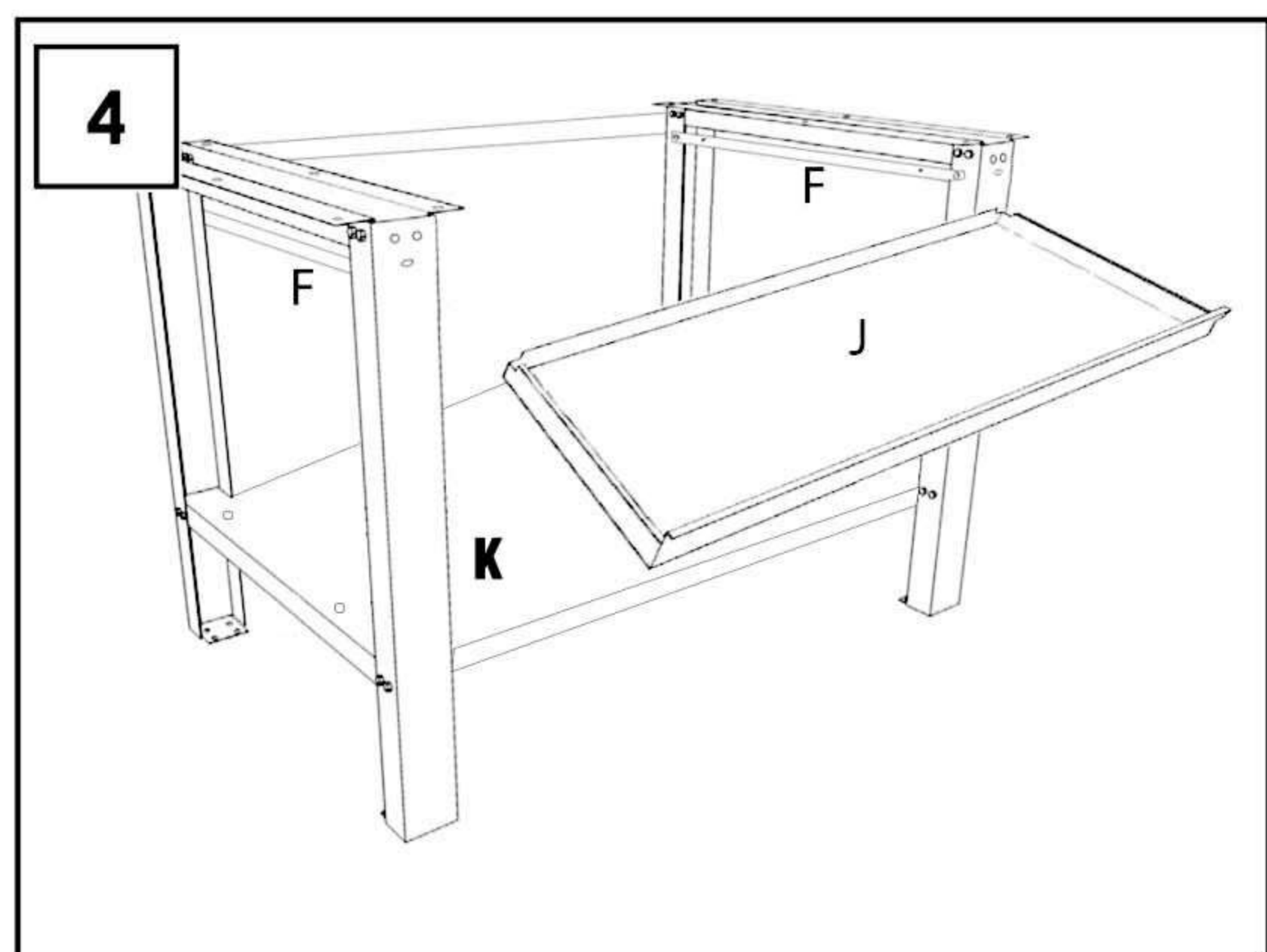
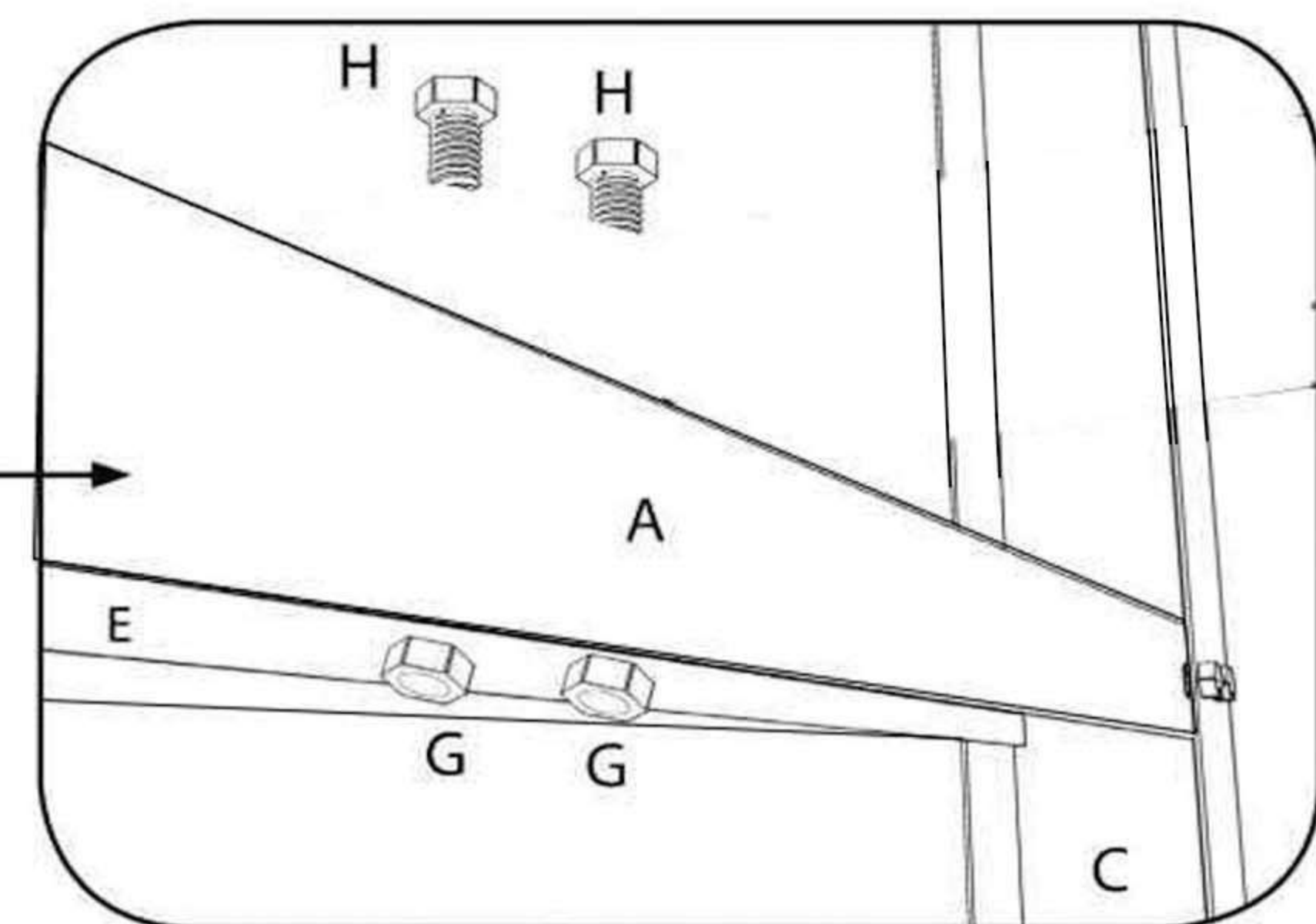
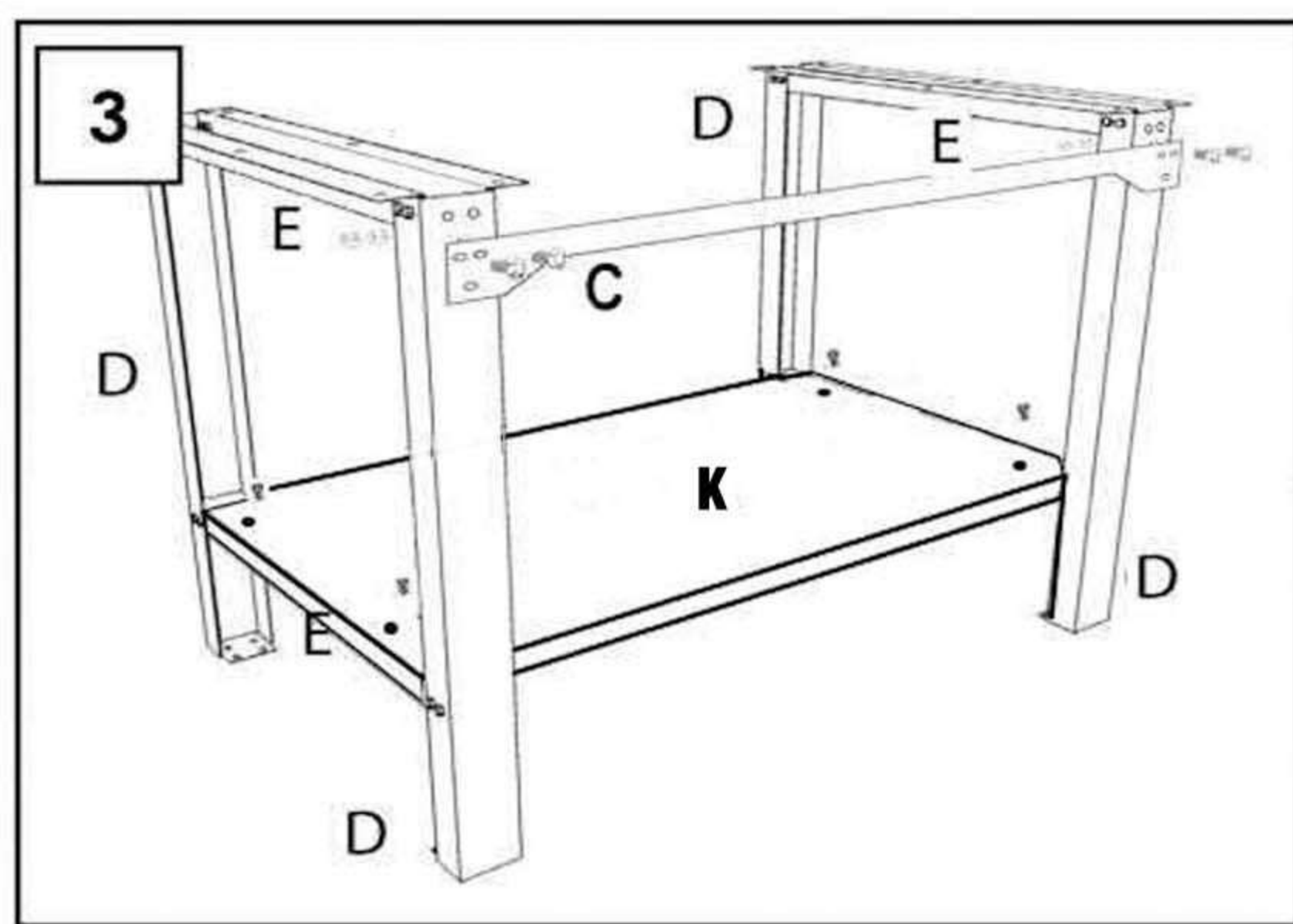
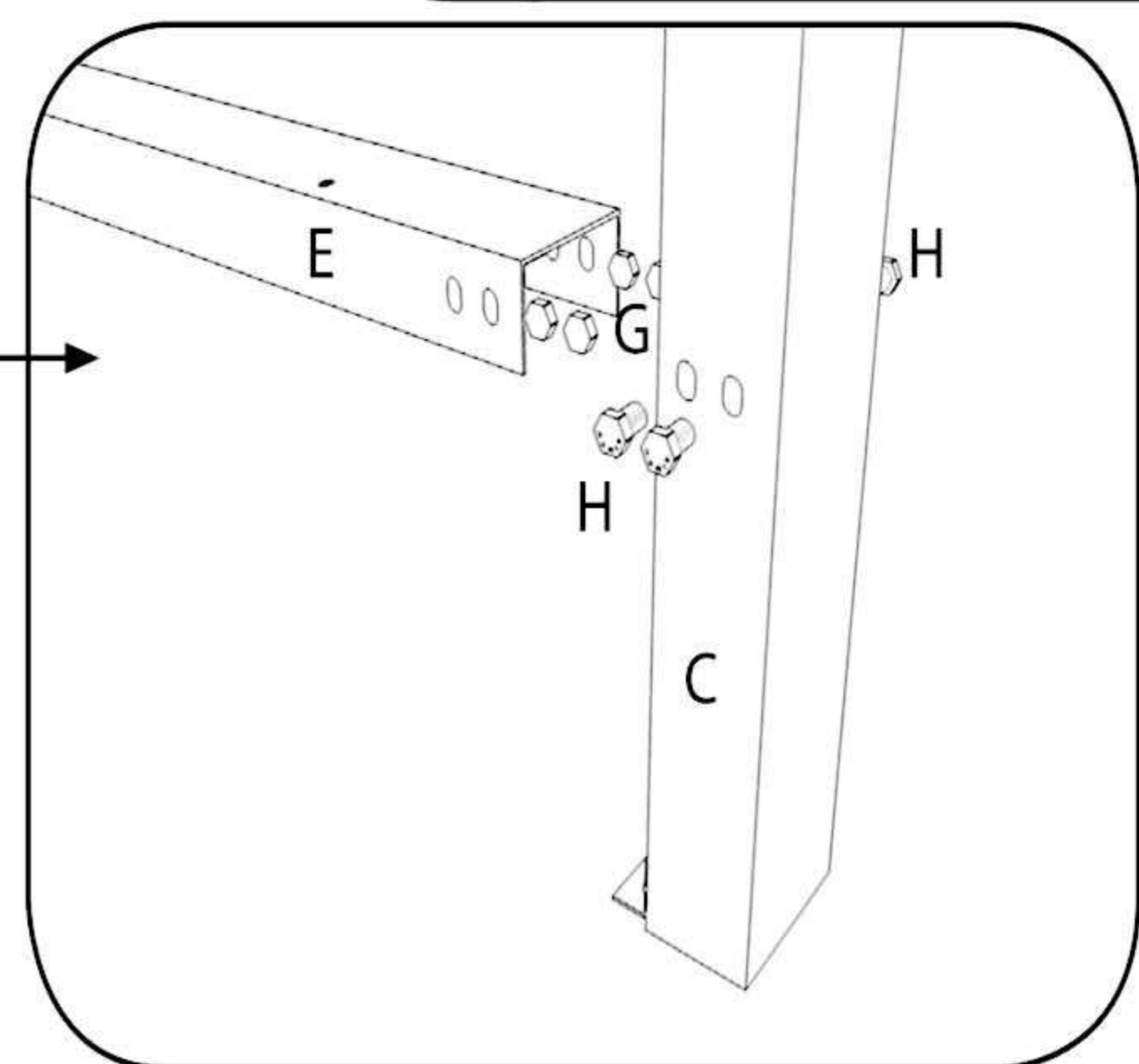
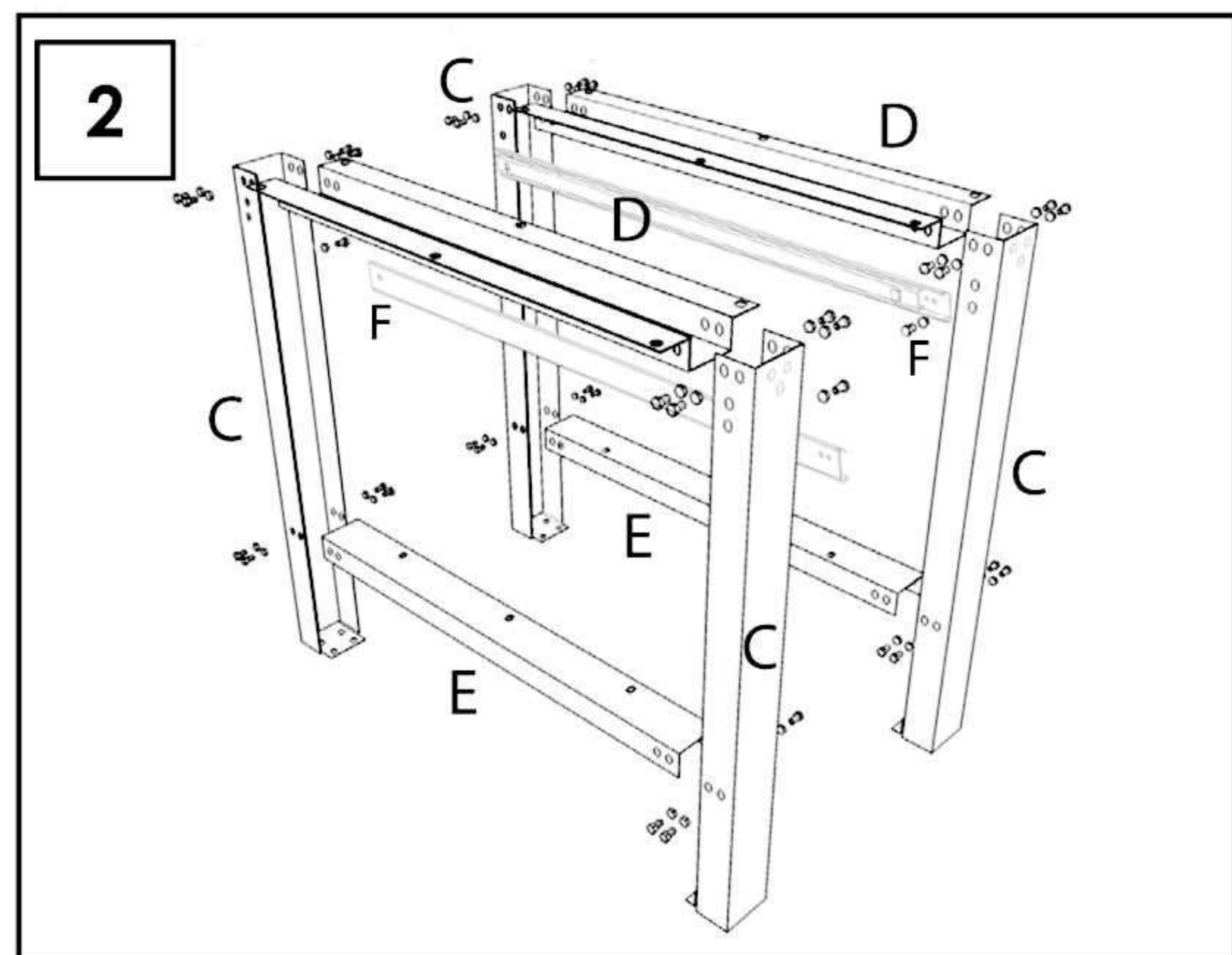
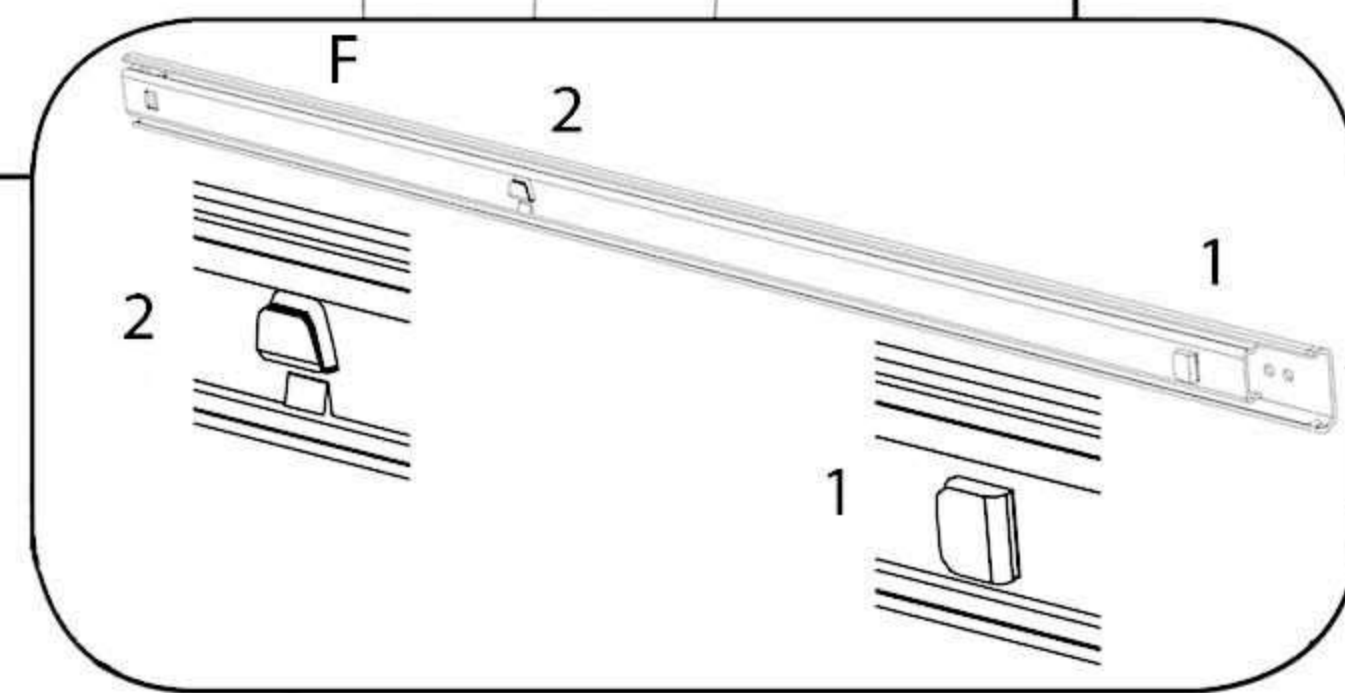
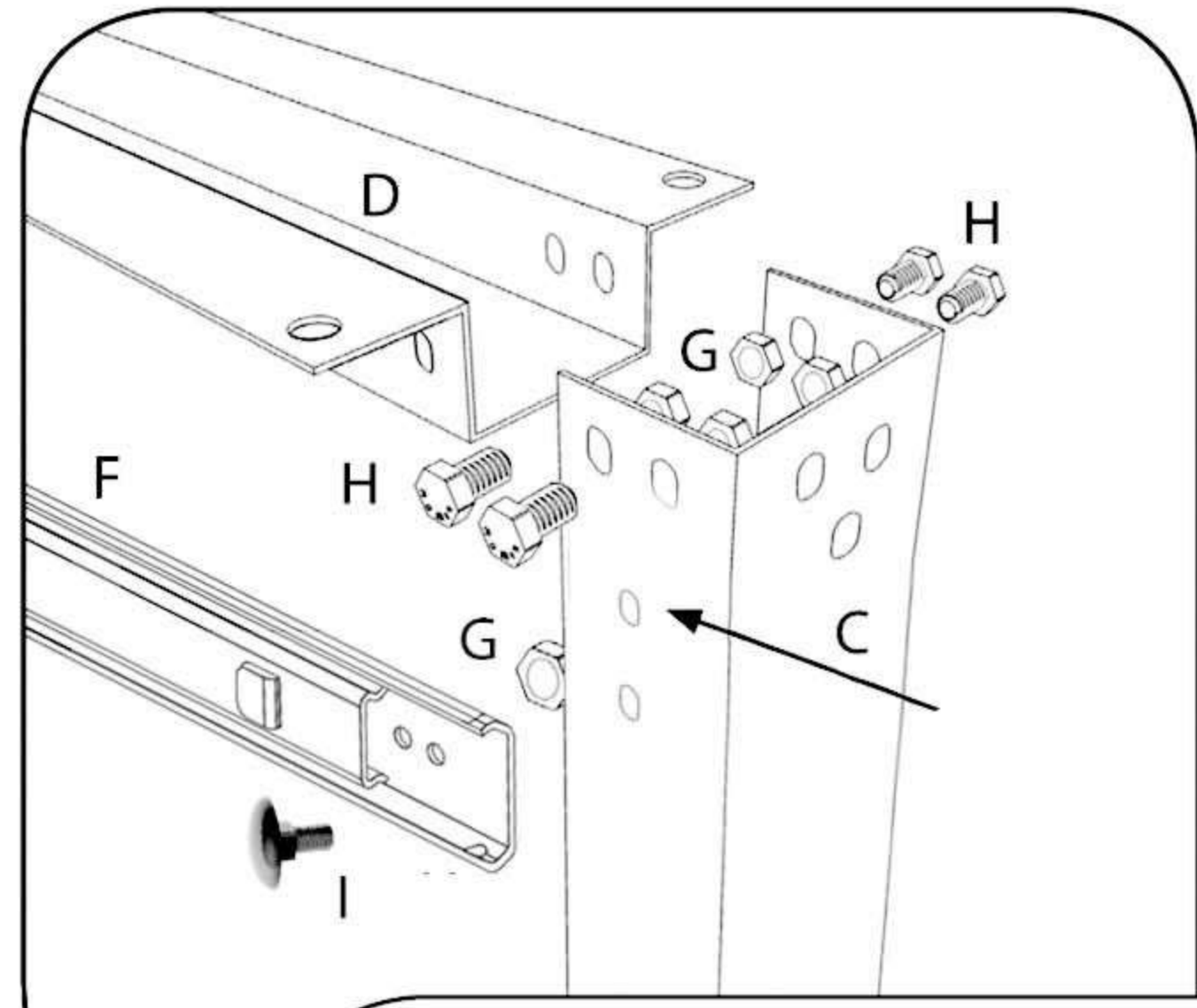
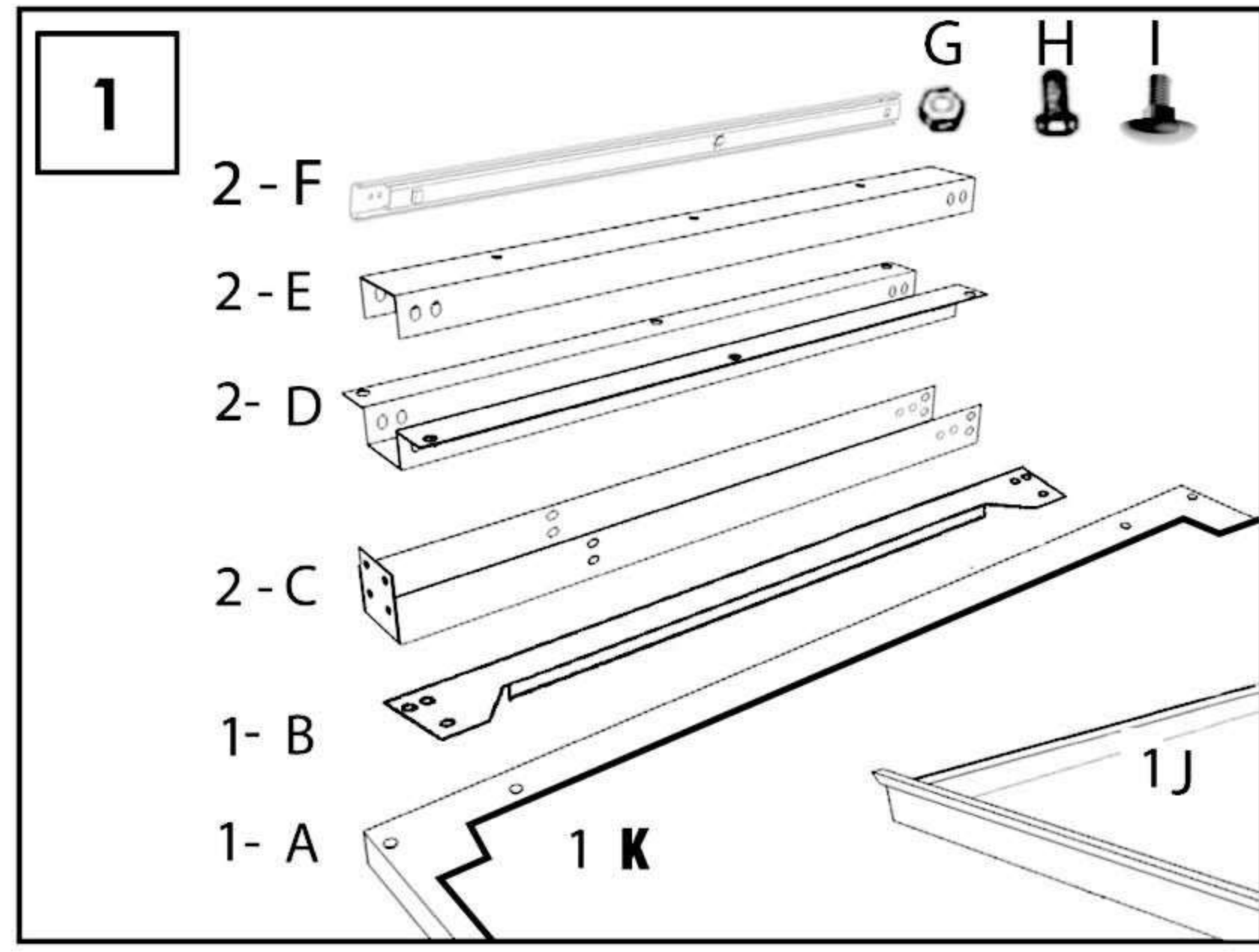
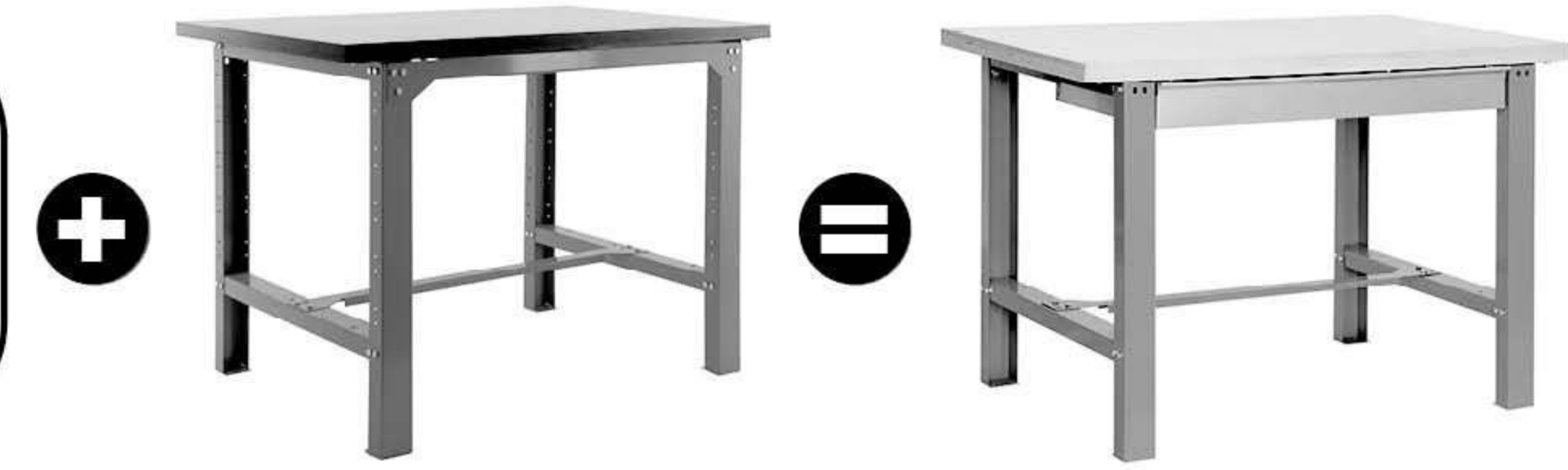
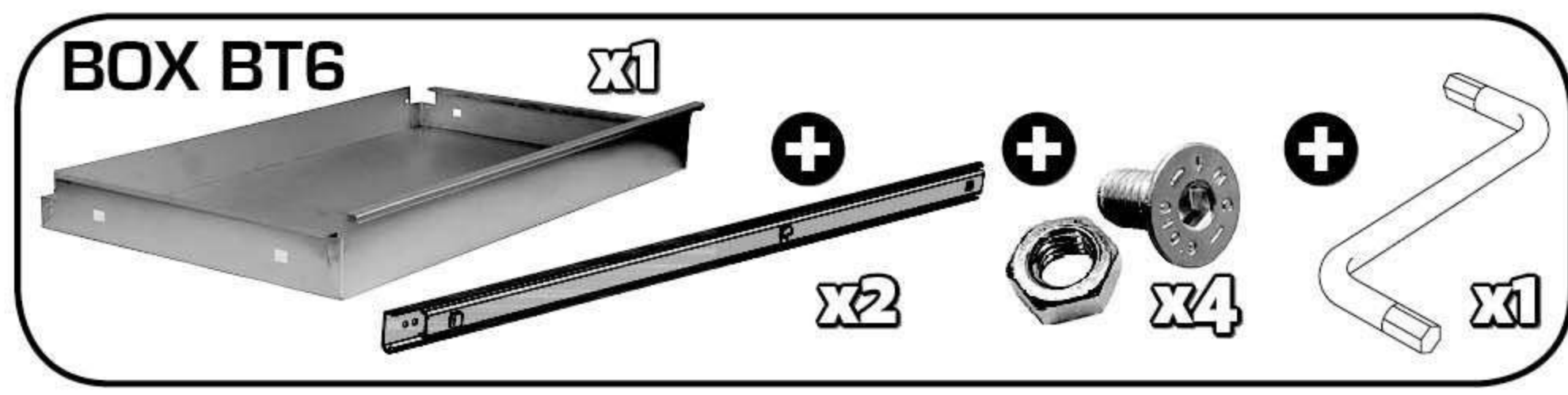
www.simonrack.com



INSTRUCCIONES
INSTRUCTIONS
ANLEITUNG
INSTRUCTIONS

SIMONWORK BOX BT6

BOX BT6 + BT6 = BT6 BOX



SIMONCLASSIC



150 kg
350 lb

SIMONCLICK



400 kg
900 lb

SIMONTALLER



700 kg
1550 lb

SIMONAUTO



300 kg
660 lb

SIMONWORK



800 kg
1800 lb

SIMONLOCKER



SIMONOFFICE



275 kg
600 lb

SIMONHOME



150 kg
350 lb

SIMONGARDEN



600 kg
1350 lb

SIMONTITÁN **SIMONINOX**




900 kg
1990 lb

SIMONINDUSTRIAL

SIMONPALET **SIMONLEVER**




4500 kg
9950 lb

ALTILLOS Y PASILLOS ELEVADOS
PLATFORMS AND MEZZANINES
LAGERBÜHNEN • PLATES-FORMES ET MEZZANINES



www.simonrack.com • www.instructionsrack.com

* Kg / lb per bandeja con carga uniformemente repartida
Kg / lb per shelf uniformly distributed load
Kg / lb pro fach bei gleichmäßig verteilter last
Kg / lb par plateau avec charge uniformément répartie