

# SIMONWORK BT6 1800 Plywood



**86,5 x 180 x 75 cm**  
**34.1" x 70.9" x 29.5"**



**5** Años Garantía  
 Years Guarantee  
 Jahre Garantie  
 Ans Garantie  
**SIMONRACK**



- |                                    |                                  |                                  |  |
|------------------------------------|----------------------------------|----------------------------------|--|
| <b>4 x</b><br><br>82,5 cm<br>32.5" | <b>2 x</b><br><br>72 cm<br>28.3" | <b>2 x</b><br><br>72 cm<br>28.3" | <b>2 x</b><br><br>100 cm<br>39.4"            |
| <b>12 x</b><br><br>12 x            | <b>54 x</b><br><br>54 x          | <b>42 x</b><br><br>42 x          | <b>1 x</b><br><br>75x180 cm<br>29.5" x 70.9" |



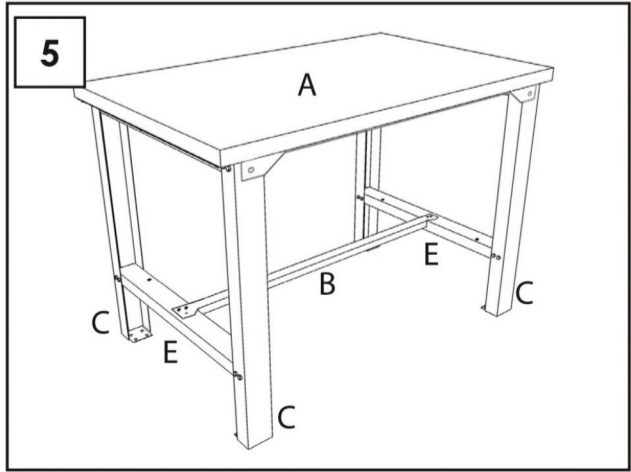
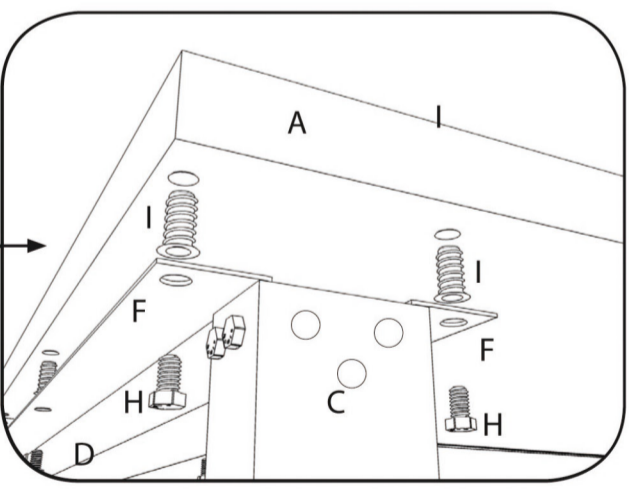
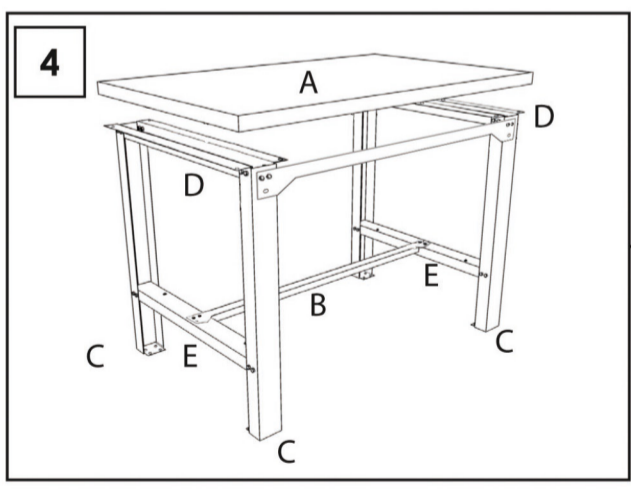
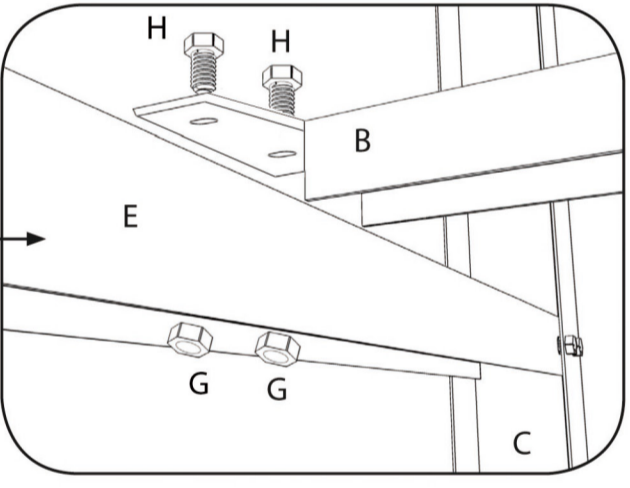
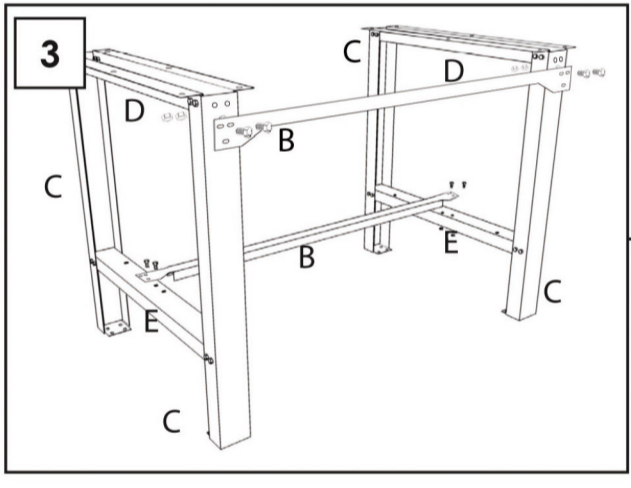
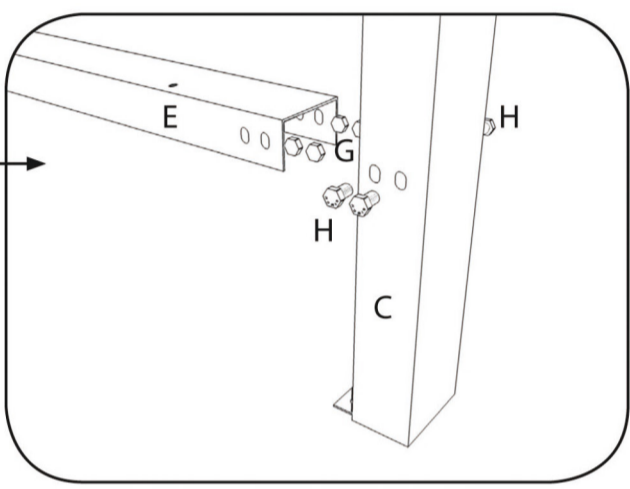
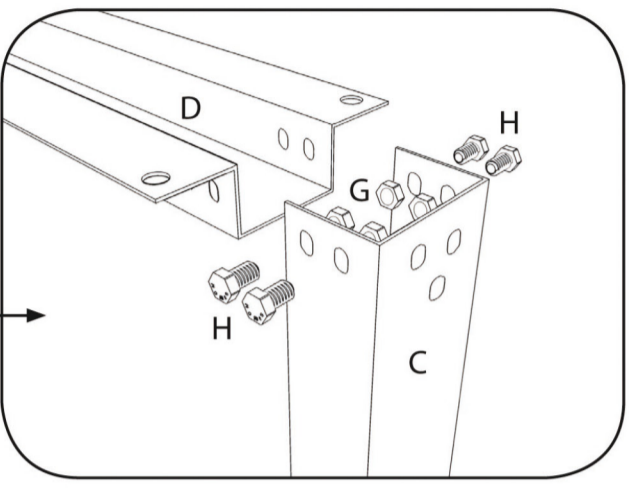
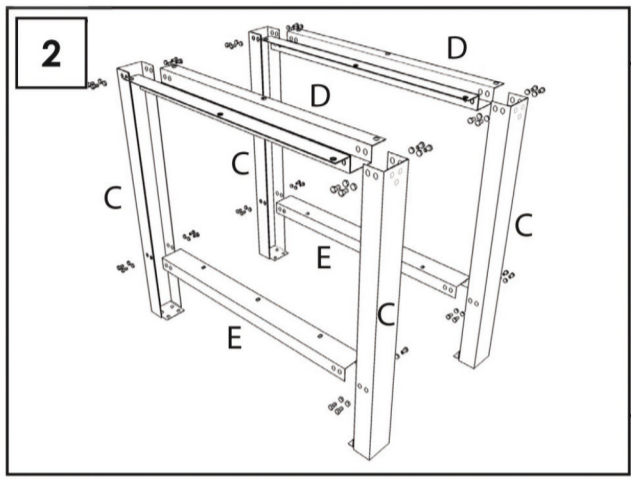
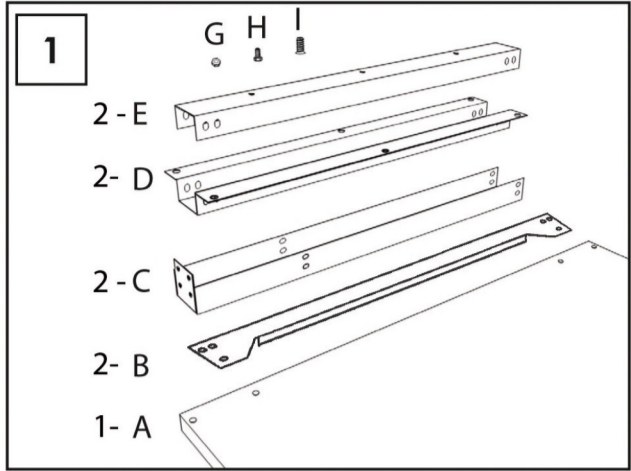
ESTANTERIAS SIMON S.L. B.50.556.463  
 PG. ALFAMEN C/ POLIGONO C. Nº3  
 ALFAMEN (ZARAGOZA)




[www.simonrack.com](http://www.simonrack.com)



**INSTRUCCIONES**  
**INSTRUCTIONS**  
**ANLEITUNG**  
**INSTRUCTIONS**

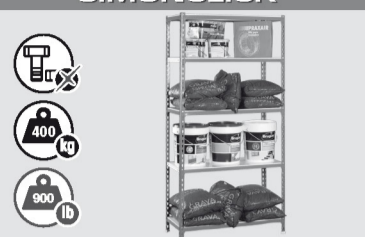


**SIMONCLASSIC**



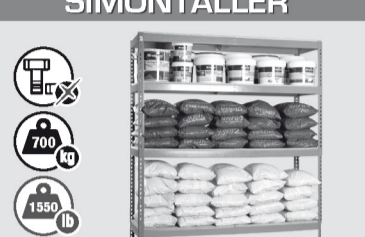
- 150 kg
- 330 lb

**SIMONCLICK**



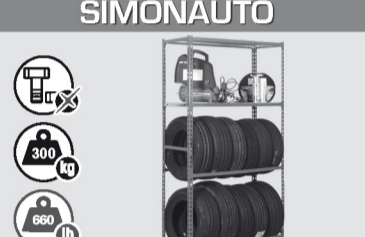
- 400 kg
- 900 lb

**SIMONTALLER**



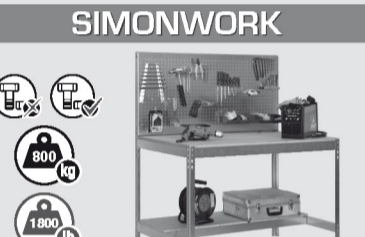
- 700 kg
- 1550 lb

**SIMONAUTO**




- 300 kg
- 660 lb

**SIMONWORK**




- 800 kg
- 1800 lb

**SIMONLOCKER**




**SIMONOFFICE**




- 275 kg
- 600 lb

**SIMONHOME**




- 150 kg
- 330 lb

**SIMONGARDEN**




- 600 kg
- 1350 lb

**SIMONTITÁN**



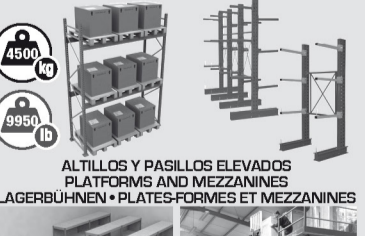
- 900 kg
- 1950 lb

**SIMONINOX**



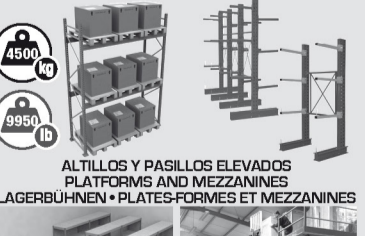
**SIMONINDUSTRIAL**

**SIMONPALET**




- 4500 kg
- 9950 lb

**SIMONLEVER**



ALTILLOS Y PASILLOS ELEVADOS  
PLATFORMS AND MEZZANINES  
LAGERBÜHNEN • PLATES-FORMES ET MEZZANINES



www.simonrack.com • www.simonrack.com • www.simonrack.com • www.simonrack.com

\* Kg / lb per bandeja con carga uniformemente repartida  
Kg / lb per shelf uniformly distributed load  
Kg / lb pro fach bei gleichmäßig verteilter Last  
Kg / lb par plateau avec charge uniformément répartie