

# 180 x 80 x 30 cm\*

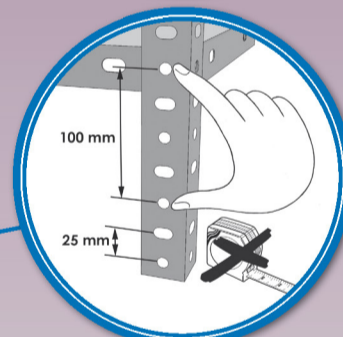
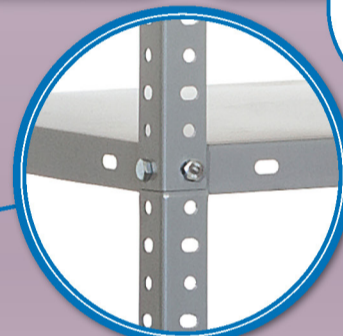
## 70.9" x 31.5" x 11.8"

### COMFORT MINI 5/300

**5** years  
SIMONRACK  
GUARANTEE



**500 kg**  
(1100 lb)  
Total



\*MEDIDAS EN USO: 1803 x 814 x 314 mm  
USED MEASUREMENTS: 70.93" x 32.05" x 12.36"



ESTANTERIAS SIMON S.L. B.50.556.463  
PG. ALFAMEN C/ POLIGONO C, N°3  
ALFAMEN (ZARAGOZA)



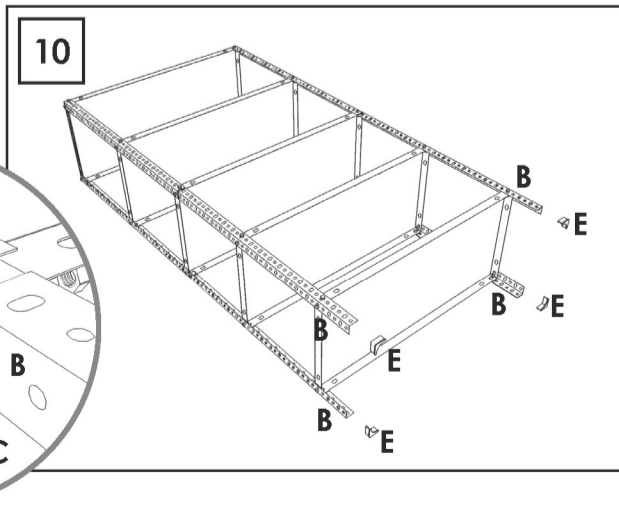
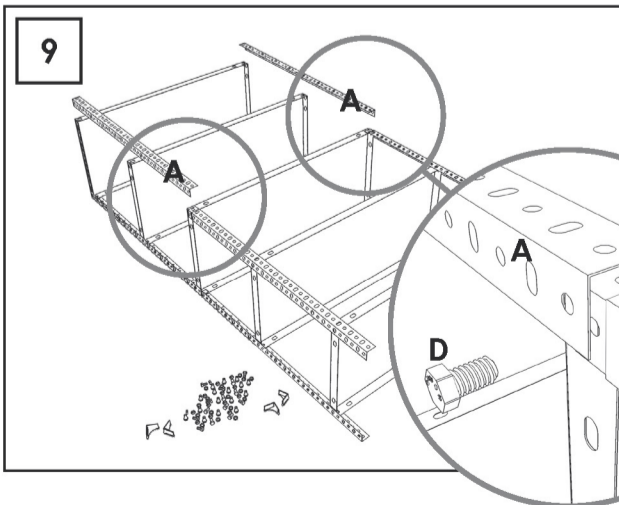
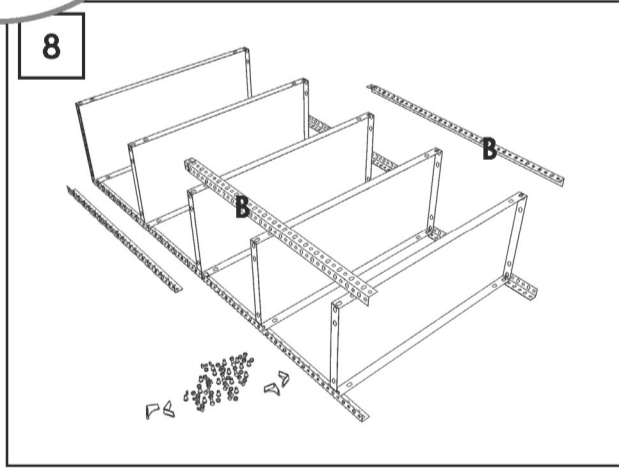
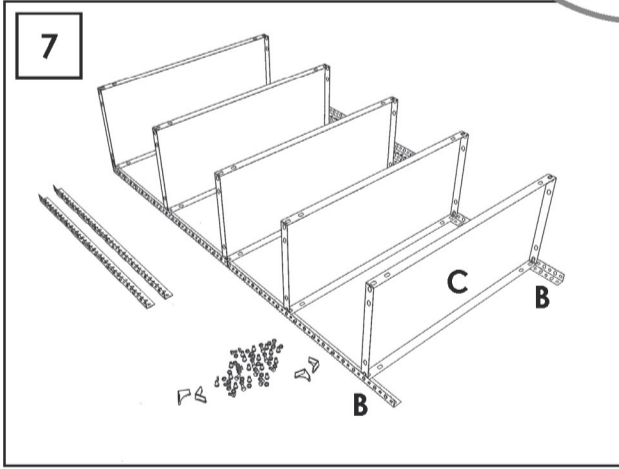
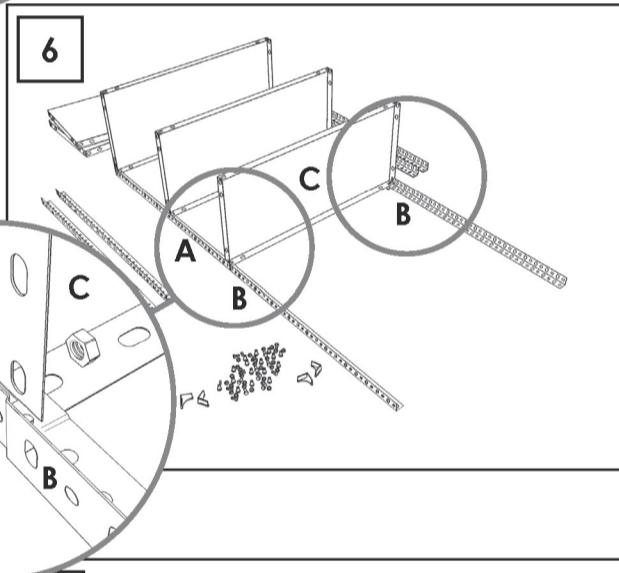
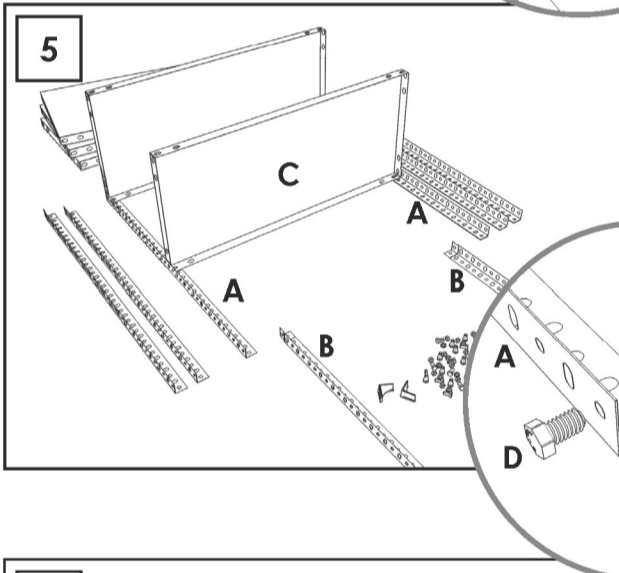
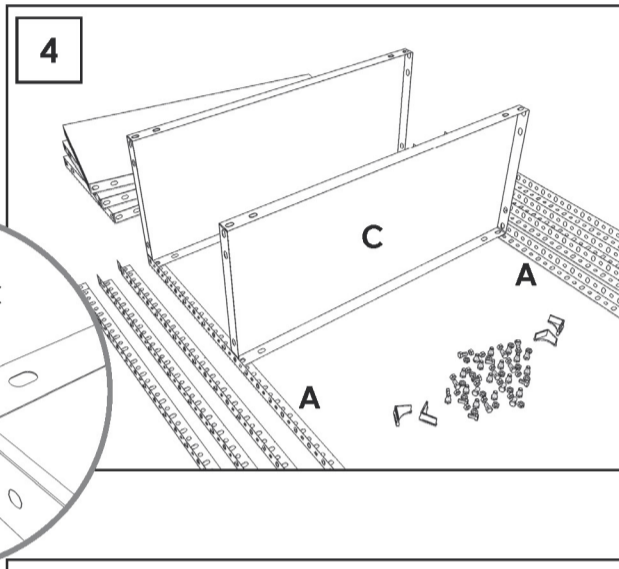
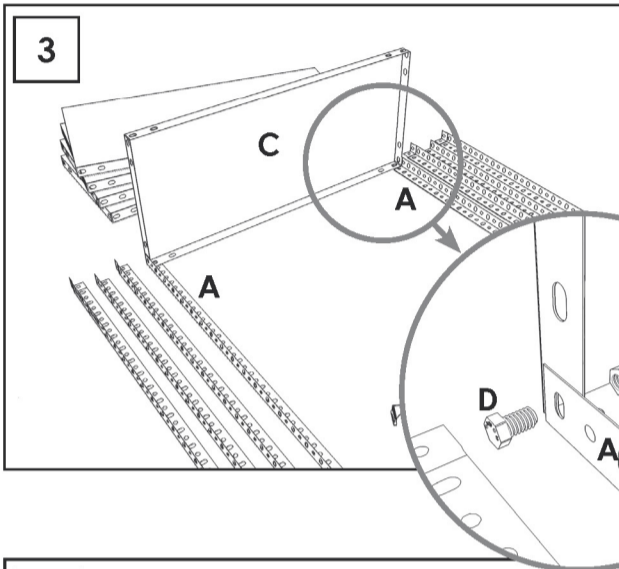
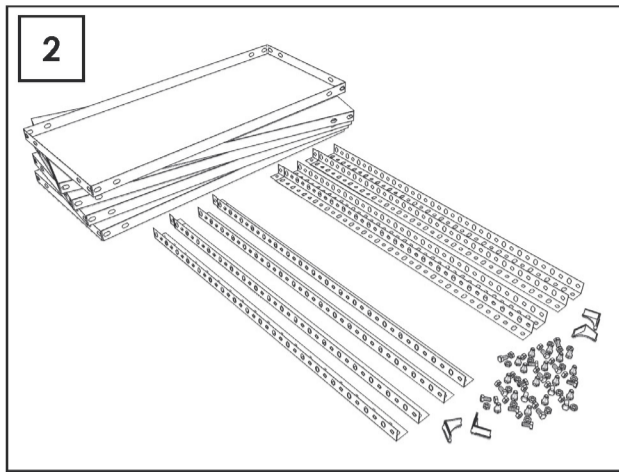
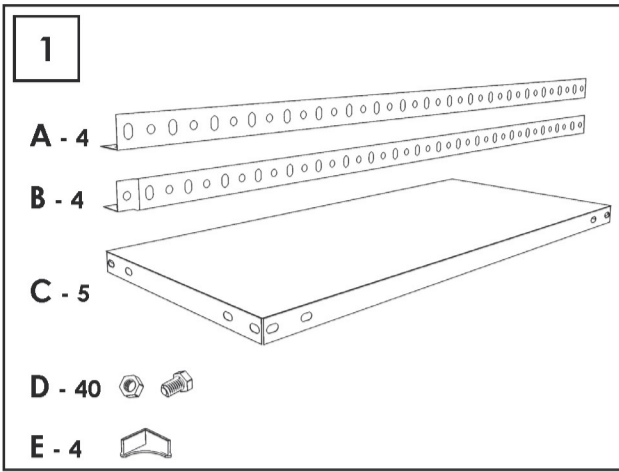
[www.simonrack.com](http://www.simonrack.com)

**Simon**  
Rack  
SINCE 1964 - MANUFACTURER



Management System  
ISO 9001:2008  
[www.tuv.com](http://www.tuv.com)  
ID 910604425

INSTRUCTIONS



**SIMONCLASSIC**



Up to: **150 Kg**  
 (331 lb)  
Kg/Shelf  
Uniformly Distributed Load



**SIMONCLICK**



Up to: **400 Kg**  
 (882 lb)  
Kg/Shelf  
Uniformly Distributed Load



**SIMONOFFICE**



Up to: **275 Kg**  
 (606 lb)  
Kg/Shelf  
Uniformly Distributed Load



**SIMONTALLER**

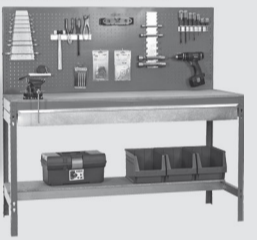


Up to: **700 Kg**  
 (1543 lb)  
Kg/Shelf  
Uniformly Distributed Load



**BANCOS DE TRABAJO  
 WORK BENCHES**

Up to: **800 Kg**  
 (1764 lb)  
Kg/Shelf  
Uniformly Distributed Load



**SIMONHOME**

Up to: **150 Kg**  
 (331 lb)  
Kg/Shelf  
Uniformly Distributed Load



**TAQUILLAS  
 LOCKER**



**SIMONTITÁN**

Up to: **900 Kg**  
 (1980 lb)  
Kg/Shelf  
Uniformly Distributed Load



**SIMONINOX**

Up to: **900 Kg**  
 (1980 lb)  
Kg/Shelf  
Uniformly Distributed Load



**SIMONPALET**

Up to: **4500 Kg**  
 (9923 lb)  
Kg/Shelf  
Uniformly Distributed Load



**SIMONLEVER**



**ALTILLOS Y PASILLOS ELEVADOS  
 PLATFORMS AND MEZZANINES**

