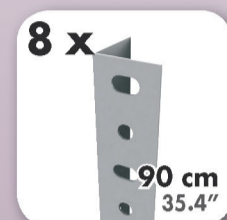


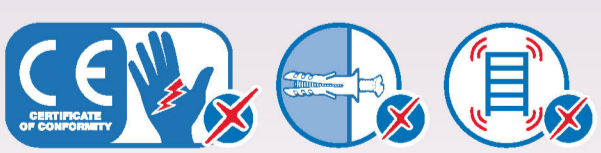
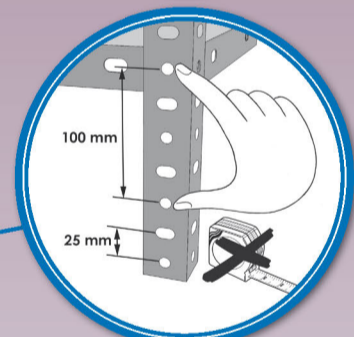
# 180 x 90 x 30 cm\* 70.9" x 35.4" x 11.8"

## COMFORT 5/300

**5** years  
SIMONRACK  
GUARANTEE



**500 kg  
(1102 lb)  
Total**



\*MEDIDAS EN USO: 1803 x 914 x 314 mm  
USED MEASUREMENTS: 70.98" x 35.98" x 12.36"



ESTANTERIAS SIMON S.L. B.50.556.463  
PG. ALFAMEN C/ POLIGONO C, N°3  
ALFAMEN (ZARAGOZA)



[www.simonrack.com](http://www.simonrack.com)



Management System  
ISO 9001:2008  
www.tuv.com  
ID 910604425

INSTRUCTIONS

