

180 x 90 x 30 cm*

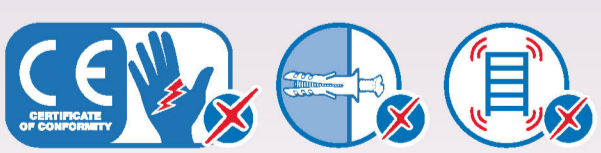
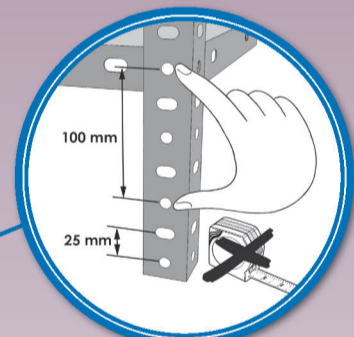
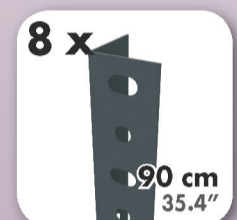
70.9" x 35.4" x 11.8"

COMFORT 5/300

5 years
SIMONRACK
GUARANTEE



500 kg
(1102 lb)
Total



*MEDIDAS EN USO: 1803 x 914 x 314 mm
USED MEASUREMENTS: 70.98" x 35.98" x 12.36"



ESTANTERIAS SIMON S.L. B.50.556.463
PG. ALFAMEN C/ POLIGONO C, N°3
ALFAMEN (ZARAGOZA)



www.simonrack.com



Management System
ISO 9001:2008
www.tuv.com
ID 910604225

INSTRUCTIONS

