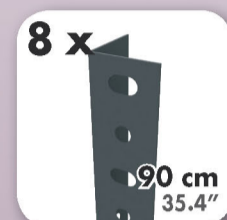


180 x 90 x 40 cm*

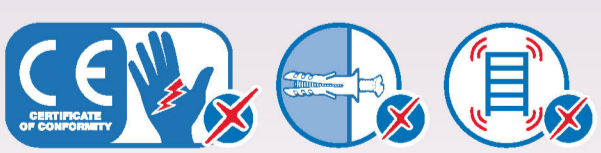
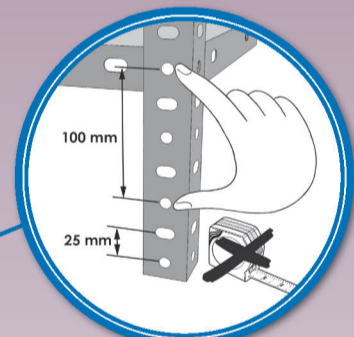
70.9" x 35.4" x 15.8"

COMFORT 5/400

5 years
SIMONRACK
GUARANTEE



500 kg
(1102 lb)
Total



*MEDIDAS EN USO: 1803 x 914 x 414 mm
USED MEASUREMENTS: 70.98" x 35.98" x 16.30"



ESTANTERIAS SIMON S.L. B.50.556.463
PG. ALFAMEN C/ POLIGONO C, N°3
ALFAMEN (ZARAGOZA)

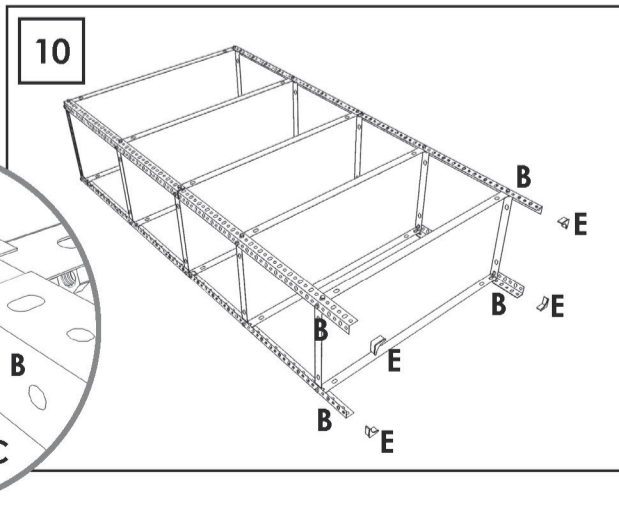
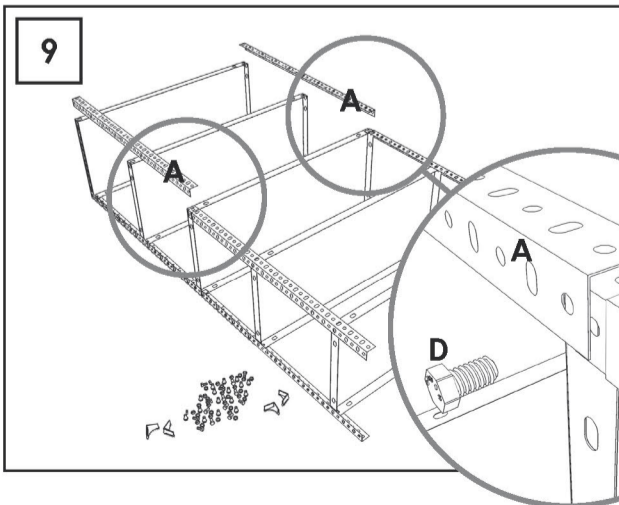
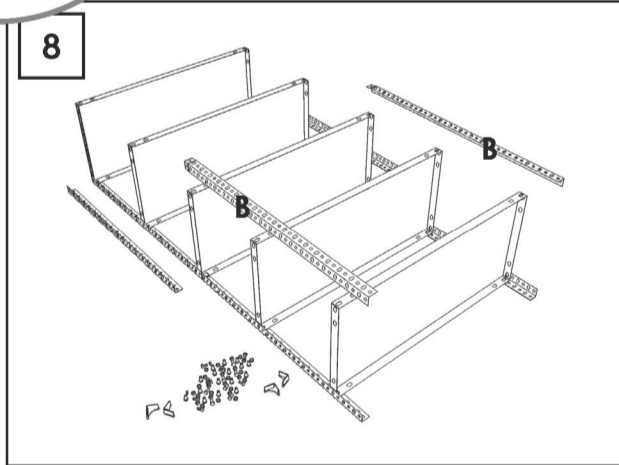
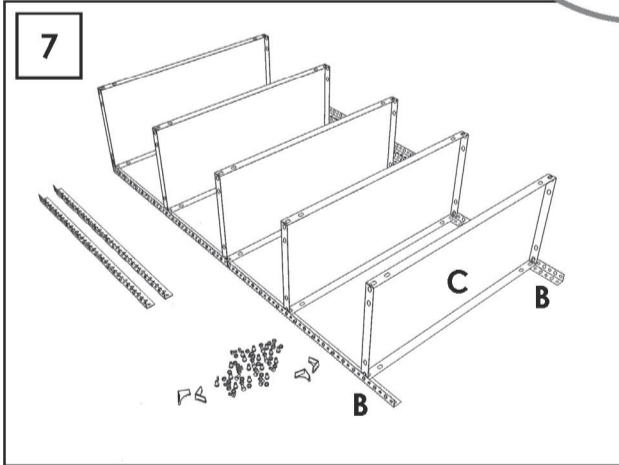
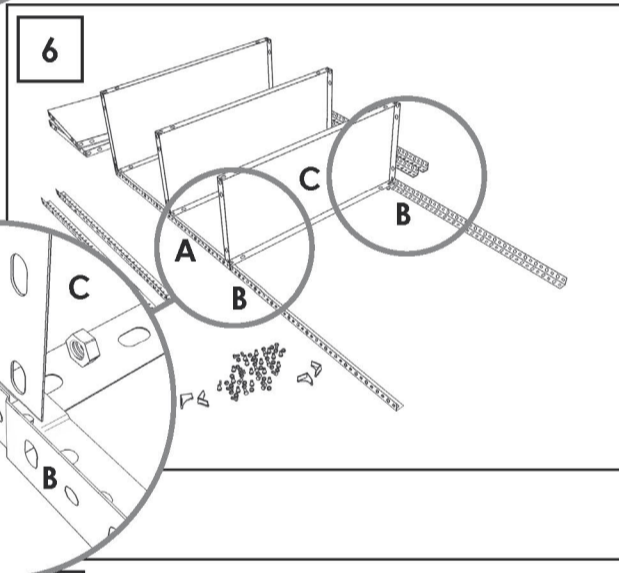
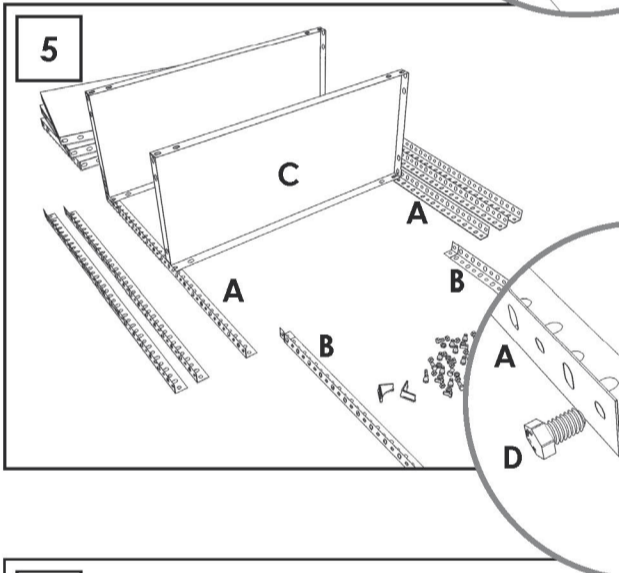
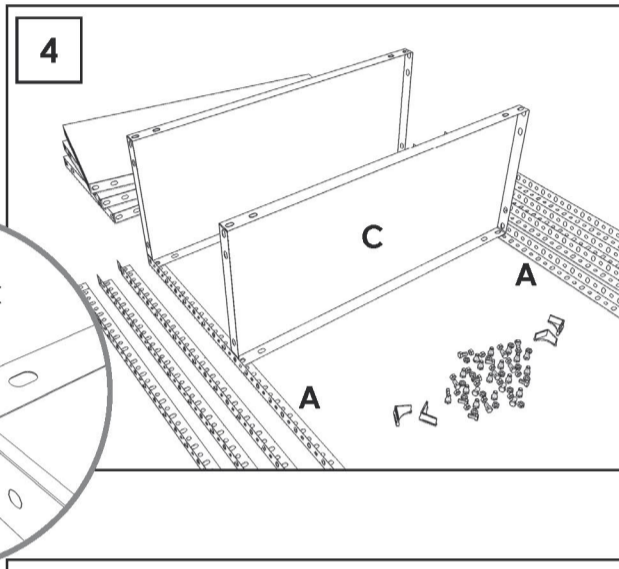
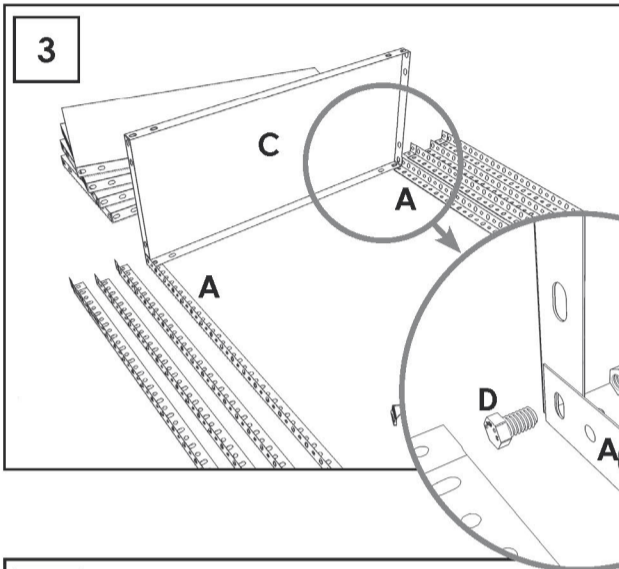
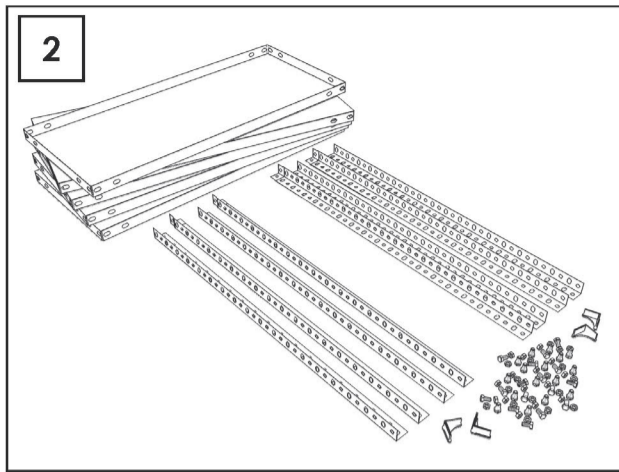
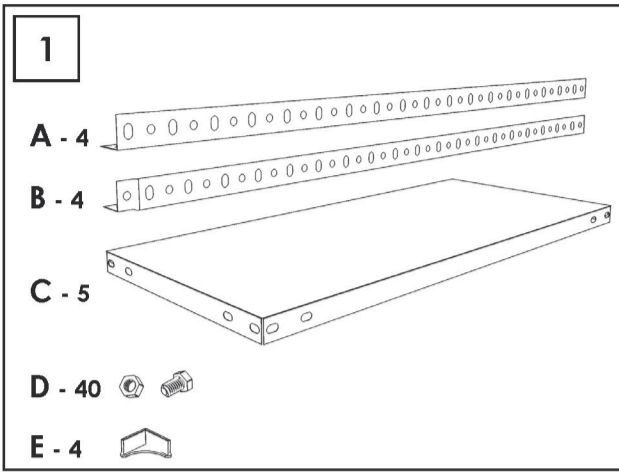


www.simonrack.com



Management System
ISO 9001:2008
www.tuv.com
ID 910604425

INSTRUCTIONS



www.simonrack.com • www.instructionsrack.com • www.simonrack.com • www.simonrack.com • www.simonrack.com • www.simonrack.com • www.simonrack.com • www.simonrack.com • www.simonrack.com • www.simonrack.com • www.simonrack.com • www.simonrack.com

SIMONCLASSIC

BOLTS SYSTEM

Up to **150 Kg (331 lb)**
Kg/Shelf
Uniformly Distributed Load



SIMONCLICK

NO BOLTS SYSTEM


Up to **400 Kg (882 lb)**
Kg/Shelf
Uniformly Distributed Load



SIMONOFFICE

NO BOLTS SYSTEM

Up to **275 Kg (606 lb)**
Kg/Shelf
Uniformly Distributed Load



SIMONTALLER


NO BOLTS SYSTEM

Up to **700 Kg (1543 lb)**
Kg/Shelf
Uniformly Distributed Load



**BANCOS DE TRABAJO
WORK BENCHES**

Up to **800 Kg (1764 lb)**
Kg/Shelf
Uniformly Distributed Load



SIMONHOME

Up to **150 Kg (331 lb)**
Kg/Shelf
Uniformly Distributed Load



**TAQUILLAS
LOCKER**



SIMONTITÁN

NO BOLTS SYSTEM

Up to **900 Kg (1984 lb)**
Kg/Shelf
Uniformly Distributed Load



SIMONINOX

NO BOLTS SYSTEM




SIMONPALET

Up to **4500 Kg (9923 lb)**
Kg/Shelf
Uniformly Distributed Load



SIMONLEVER



**ALTILOS Y PASILLOS ELEVADOS
PLATFORMS AND MEZZANINES**

