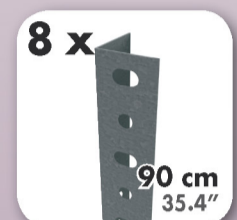
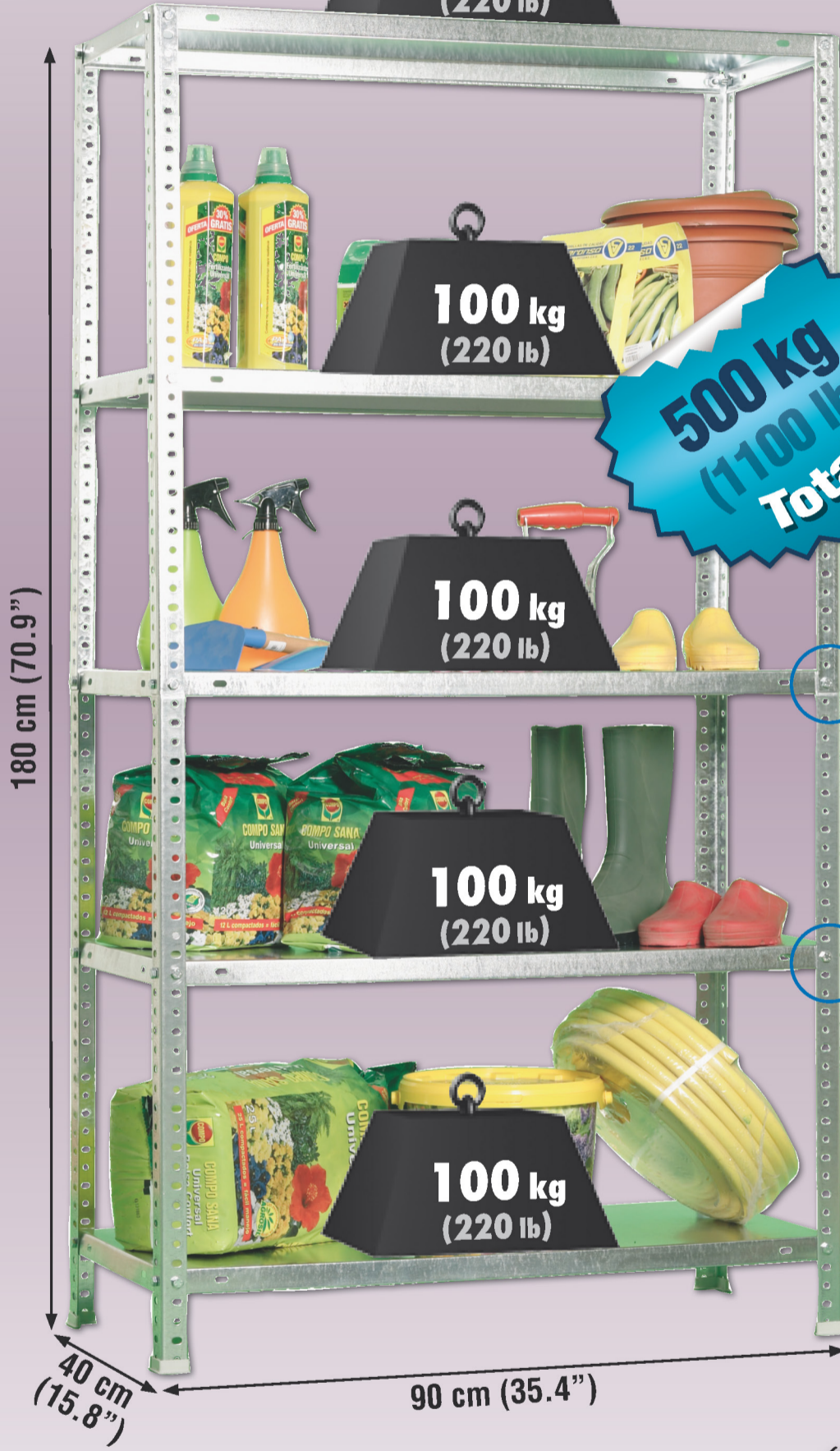


# 180 x 90 x 40 cm\*

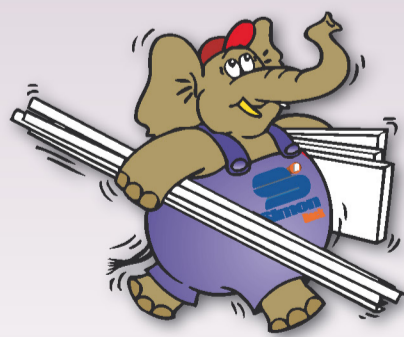
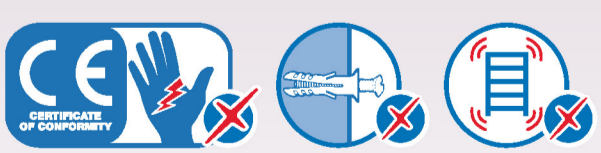
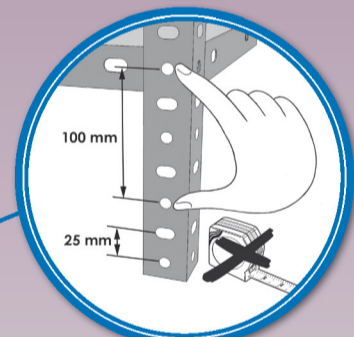
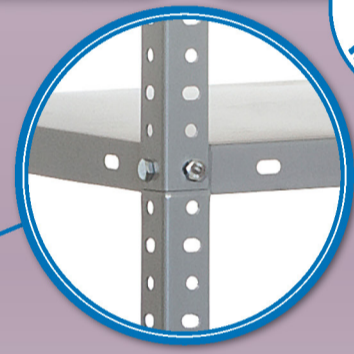
## 70.9" x 35.4" x 15.8"

### COMFORT 5/400

**5 years**  
SIMONRACK  
GUARANTEE



**500 kg**  
(1100 lb)  
Total



\*MEDIDAS EN USO: 1803 x 914 x 414 mm  
USED MEASUREMENTS: 70.98" x 35.98" x 16.30"



ESTANTERIAS SIMON S.L. B.50.556.463  
PG. ALFAMEN C/ POLIGONO C, N°3  
ALFAMEN (ZARAGOZA)



[www.simonrack.com](http://www.simonrack.com)



Management System  
ISO 9001:2008  
[www.tuv.com](http://www.tuv.com)  
ID: 910604425

INSTRUCTIONS

