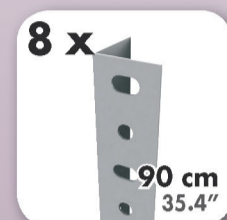


180 x 90 x 50 cm*

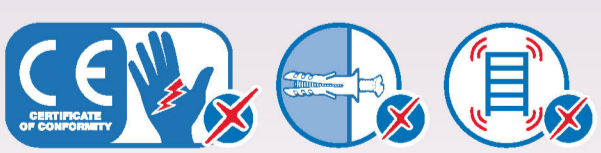
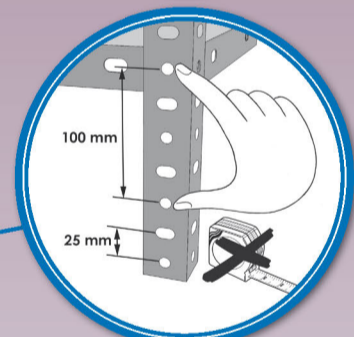
70.9" x 35.4" x 19.7"

COMFORT 5/500

5 years
SIMONRACK
GUARANTEE



500 kg
(1102 lb)
Total



*MEDIDAS EN USO: 1803 x 914 x 514 mm
USED MEASUREMENTS: 70.98" x 35.98" x 20.24"



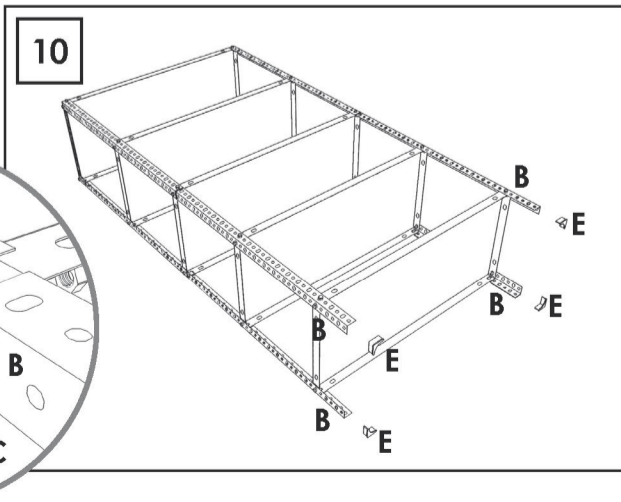
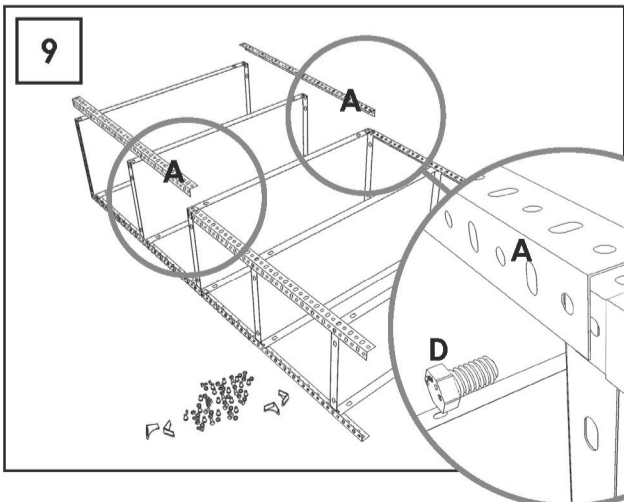
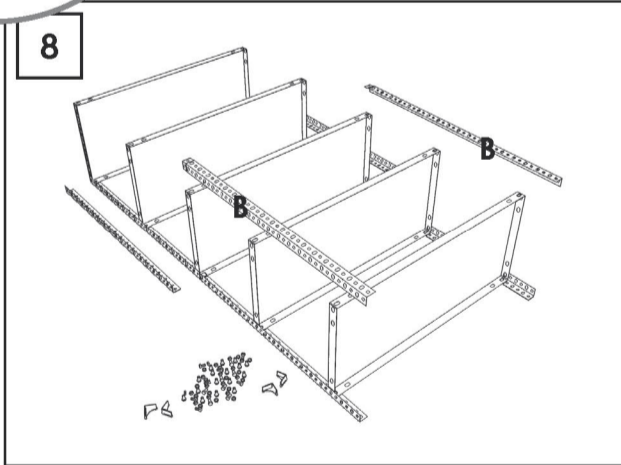
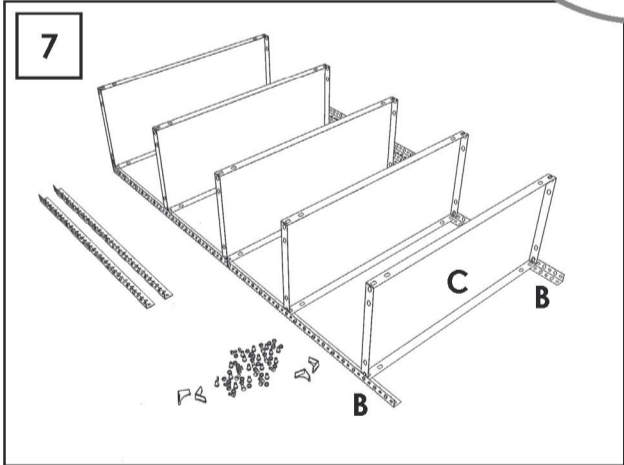
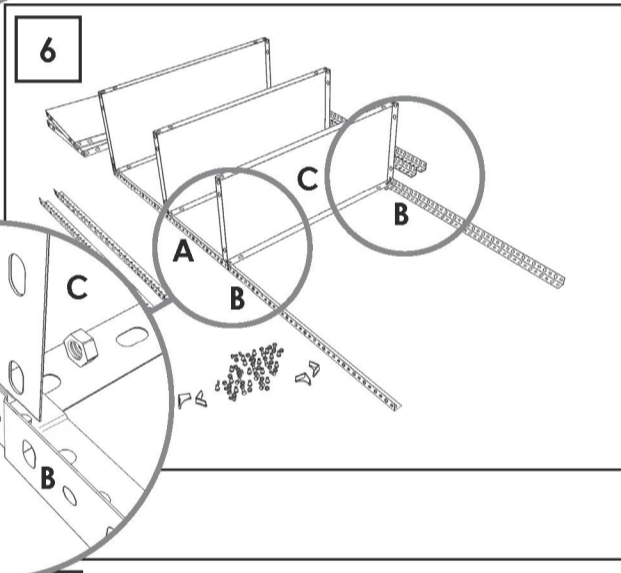
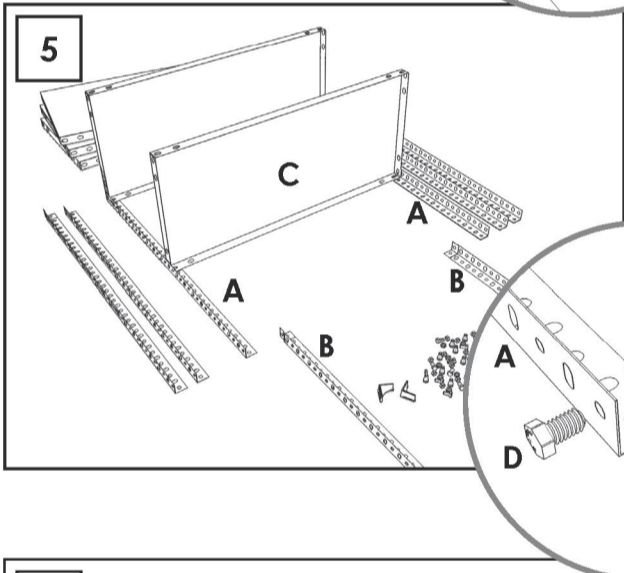
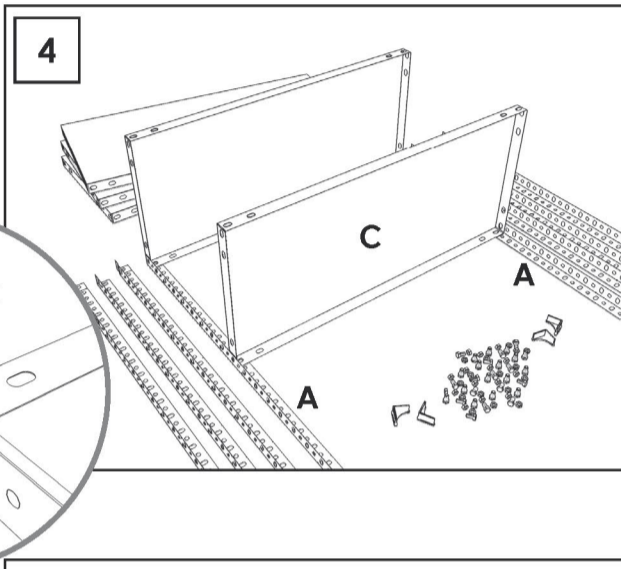
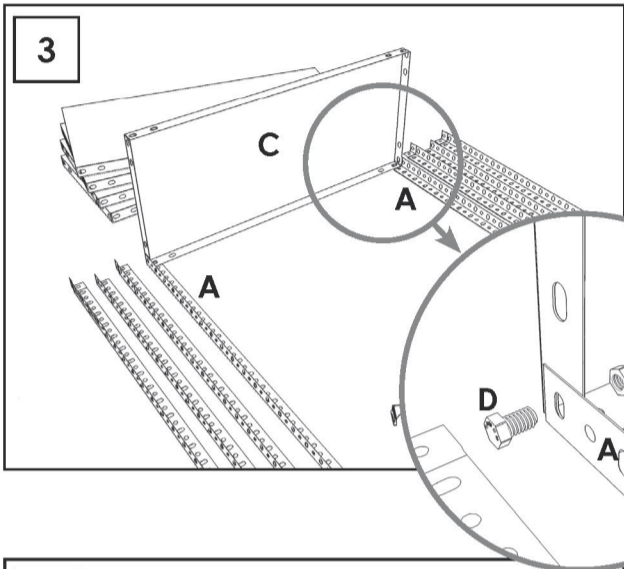
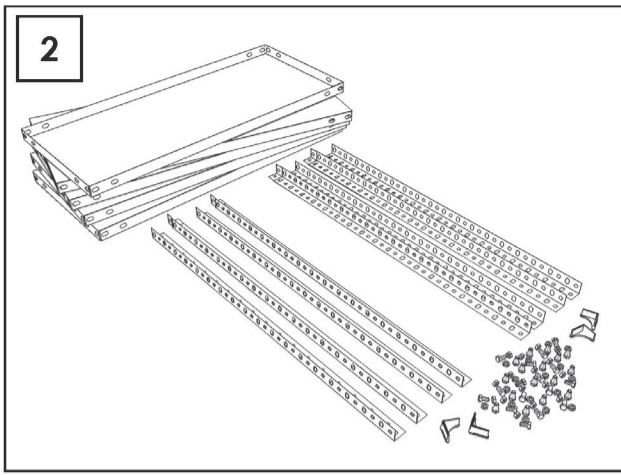
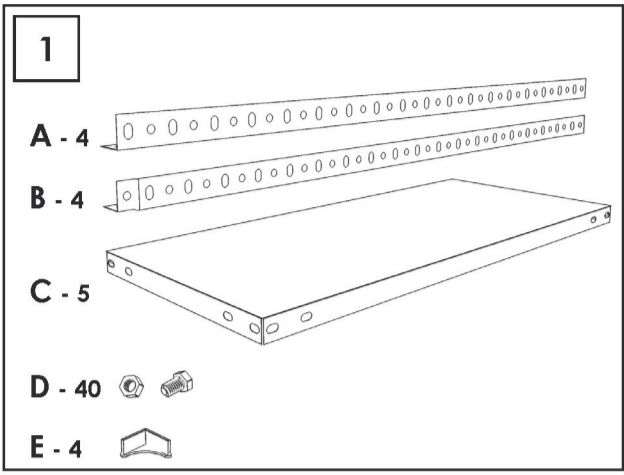
ESTANTERIAS SIMON S.L. B.50.556.463
PG. ALFAMEN C/ POLIGONO C, N°3
ALFAMEN (ZARAGOZA)



www.simonrack.com



INSTRUCTIONS



www.simonrack.com • www.simonrack.com • www.simonrack.com • www.simonrack.com • www.simonrack.com • www.simonrack.com • www.simonrack.com • www.simonrack.com • www.simonrack.com • www.simonrack.com

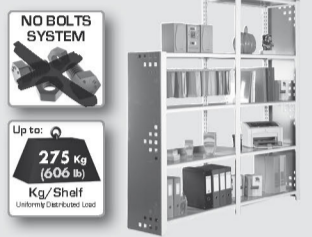
SIMONCLASSIC



SIMONCLICK



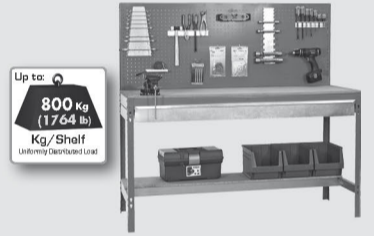
SIMONOFFICE



SIMONTALLER



BANCOS DE TRABAJO
 WORK BENCHES



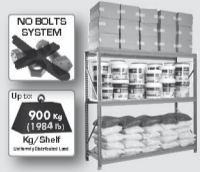
SIMONHOME



TAQUILLAS
 LOCKER



SIMONTITÁN



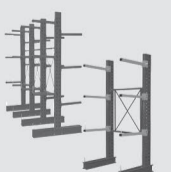
SIMONINOX



SIMONPALET



SIMONLEVER



ALTILLOS Y PASILLOS ELEVADOS
 PLATFORMS AND MEZZANINES

