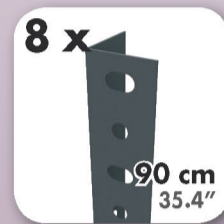
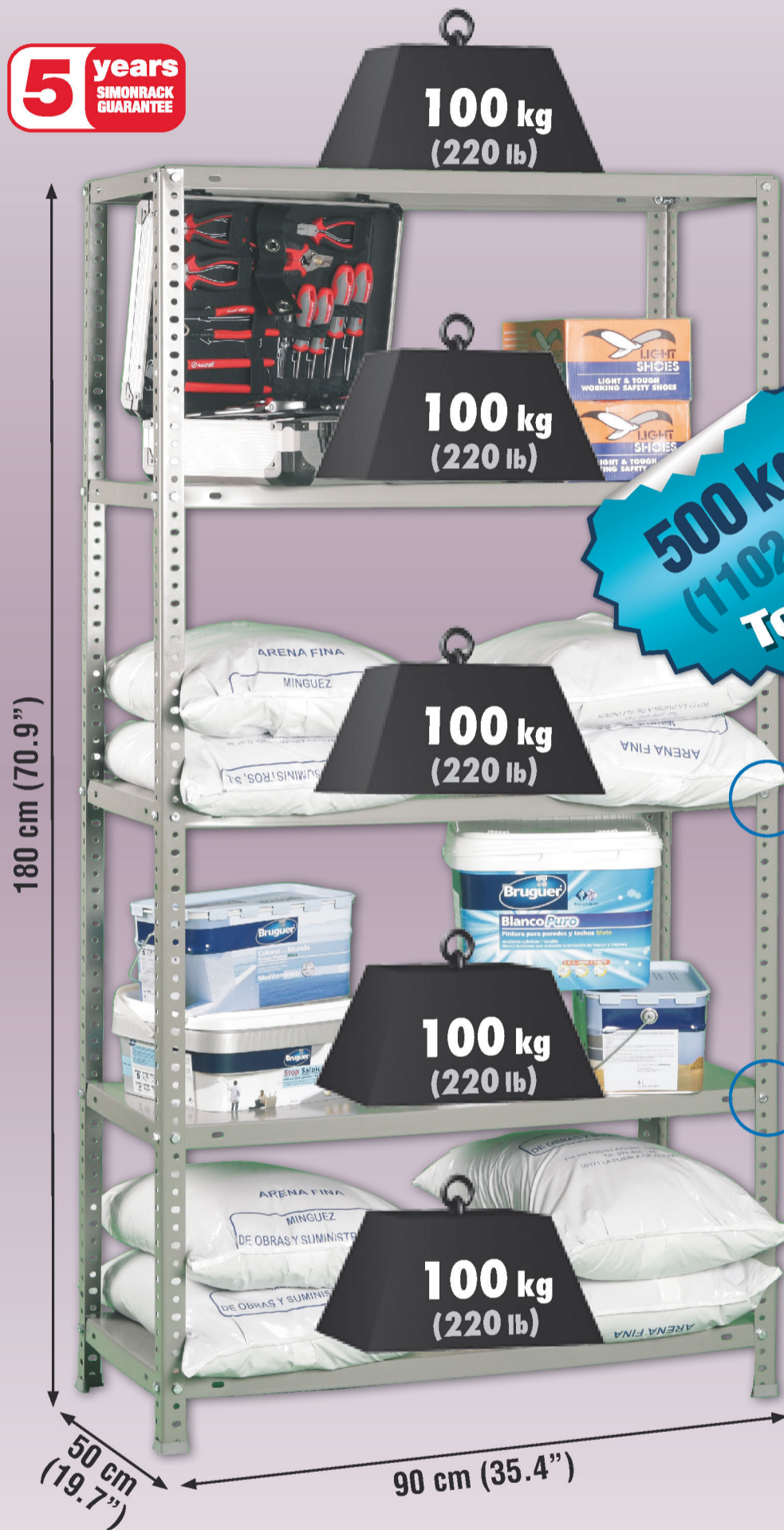


# 180 x 90 x 50 cm\*

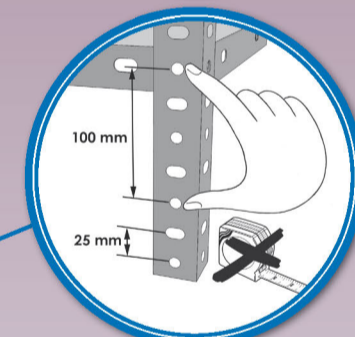
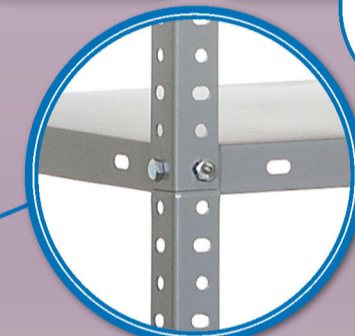
## 70.9" x 35.4" x 19.7"

### COMFORT 5/500

**5** years  
SIMONRACK  
GUARANTEE



**500 kg**  
(1102 lb)  
Total



\*MEDIDAS EN USO: 1803 x 914 x 514 mm  
USED MEASUREMENTS: 70.98" x 35.98" x 20.24"



ESTANTERIAS SIMON S.L. B.50.556.463  
PG. ALFAMEN C/ POLIGONO C, N°3  
ALFAMEN (ZARAGOZA)



[www.simonrack.com](http://www.simonrack.com)



Management System  
ISO 9001:2008  
[www.tuv.com](http://www.tuv.com)  
ID 910604425

INSTRUCTIONS

