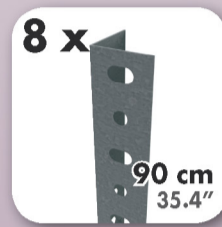


180 x 90 x 50 cm*

70.9" x 35.4" x 19.7"

COMFORT 5/500

5 years
SIMONRACK
GUARANTEE



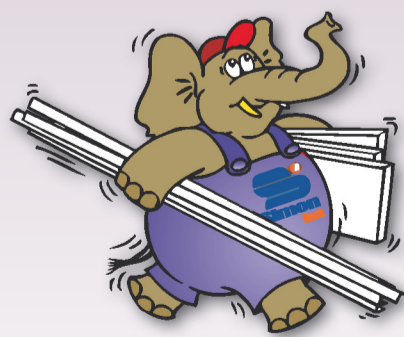
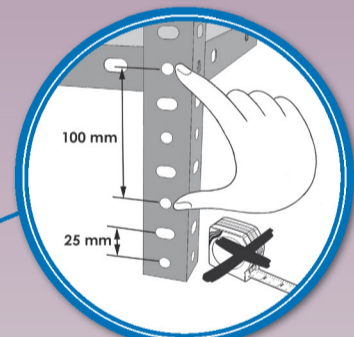
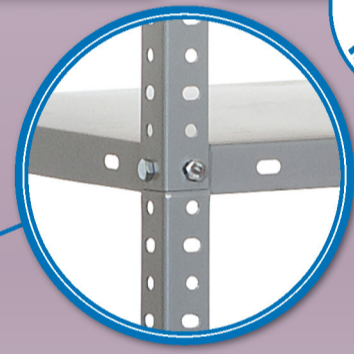
500 kg
(1100 lb)
Total



180 cm (70.9")

50 cm
(19.7")

90 cm (35.4")



ESTANTERIAS SIMON S.L. B.50.556.463
PG. ALFAMEN C/ POLIGONO C, Nº3
ALFAMEN (ZARAGOZA)



www.simonrack.com



INSTRUCTIONS

