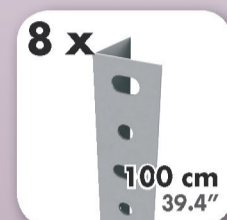


# 200 x 100 x 30 cm\*

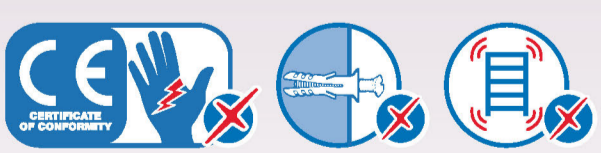
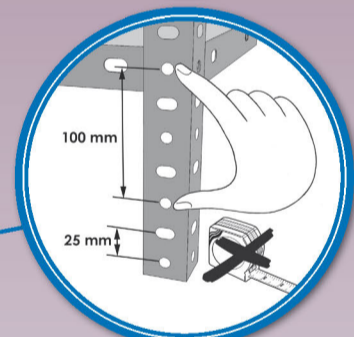
## 78.7" x 39.4" x 11.8"

### COMFORT PLUS 5/300

**5** years  
SIMONRACK  
GUARANTEE



**500 kg**  
**(1102 lb)**  
**Total**



\*MEDIDAS EN USO: 2003 x 1014 x 314 mm  
USED MEASUREMENTS: 78.86" x 39.92" x 12.36"



ESTANTERIAS SIMON S.L. B.50.556.463  
PG. ALFAMEN C/ POLIGONO C, N°3  
ALFAMEN (ZARAGOZA)



[www.simonrack.com](http://www.simonrack.com)



INSTRUCTIONS

