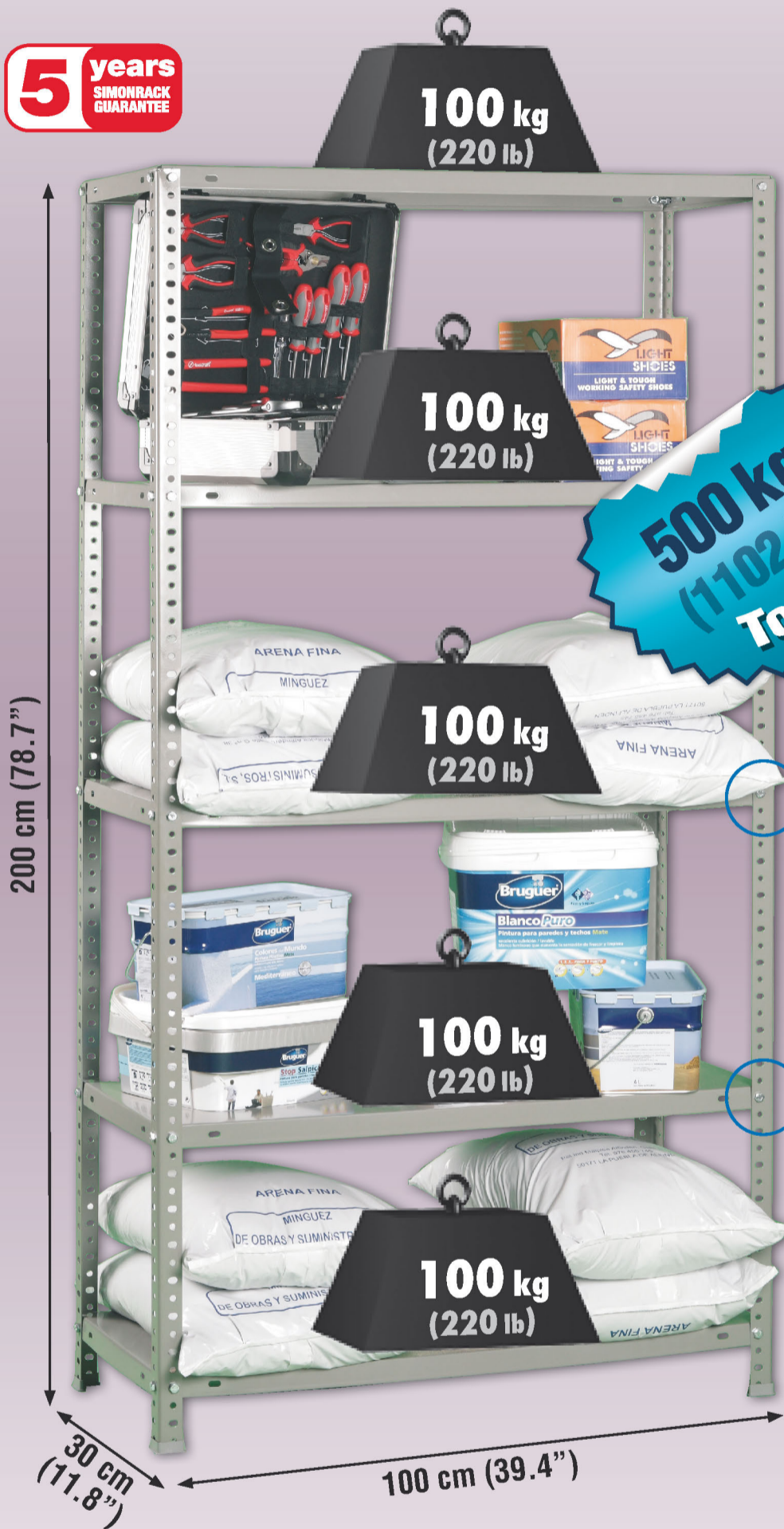


200 x 100 x 30 cm*

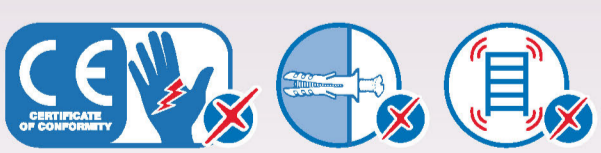
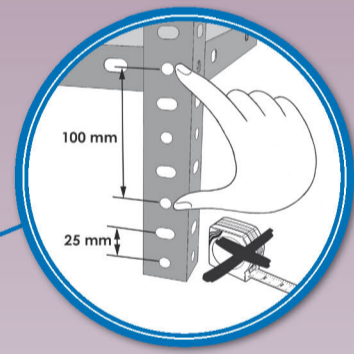
78.7" x 39.4" x 11.8"

COMFORT PLUS 5/300

5 years
SIMONRACK
GUARANTEE



500 kg
(1102 lb)
Total



*MEDIDAS EN USO: 2003 x 1014 x 314 mm
USED MEASUREMENTS: 78.86" x 39.92" x 12.36"



ESTANTERIAS SIMON S.L. B.50.556.463
PG. ALFAMEN C/ POLIGONO C, N°3
ALFAMEN (ZARAGOZA)

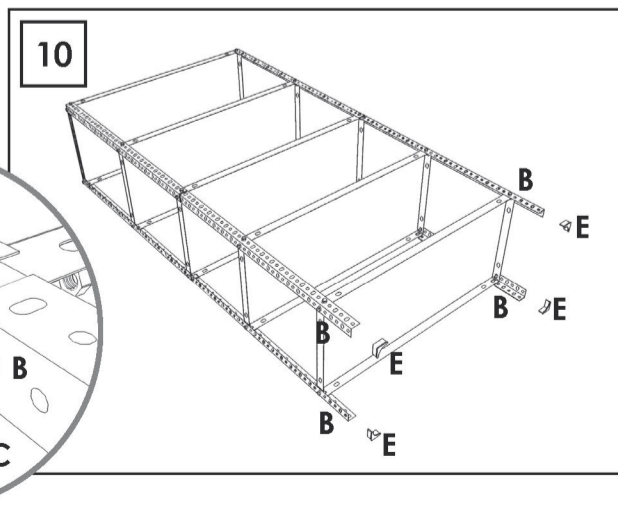
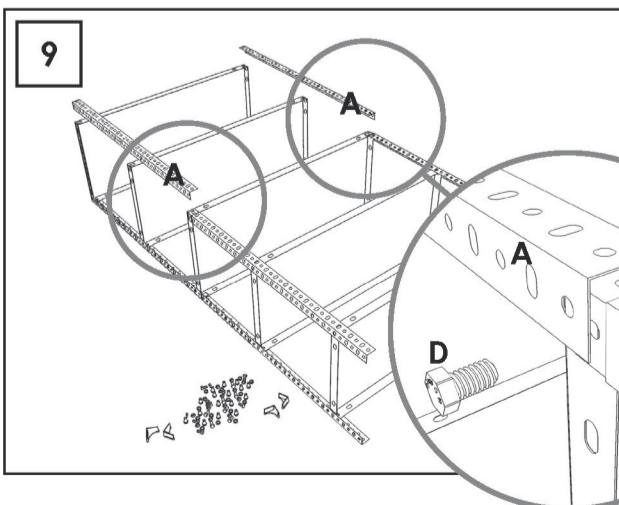
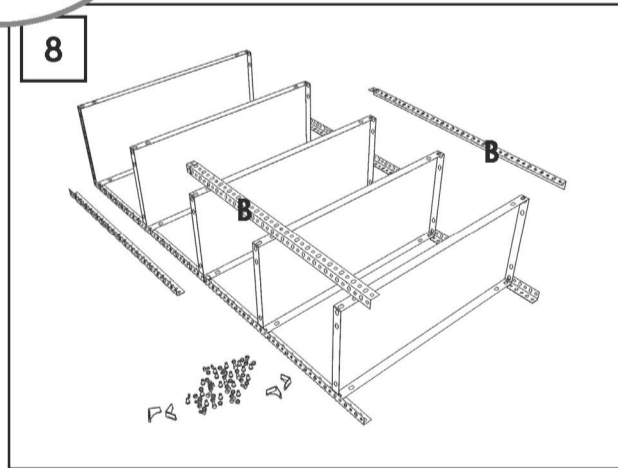
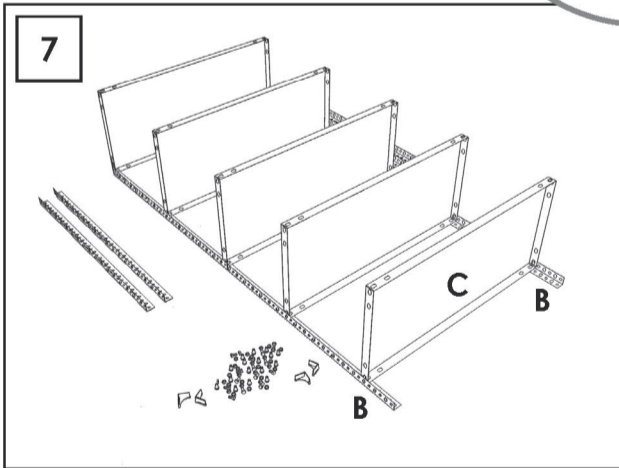
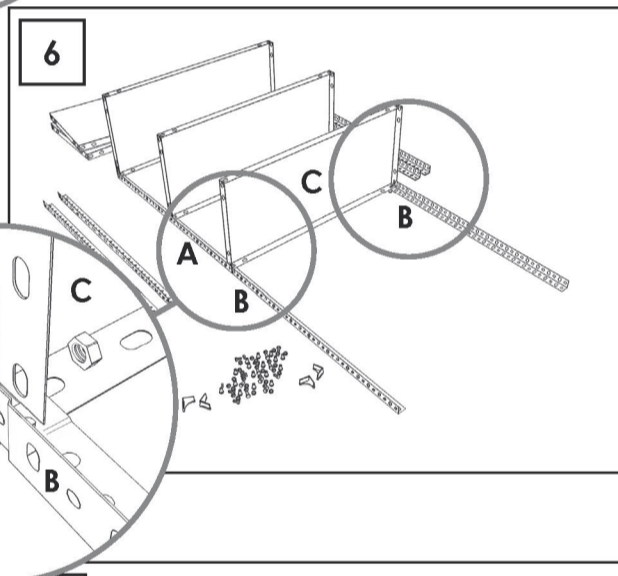
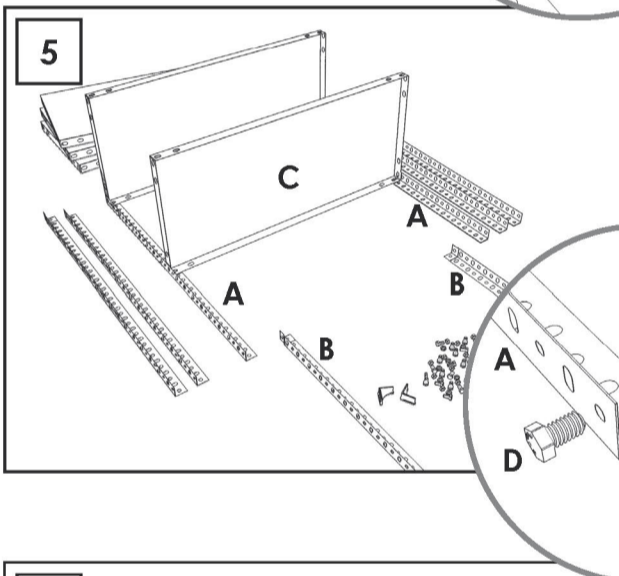
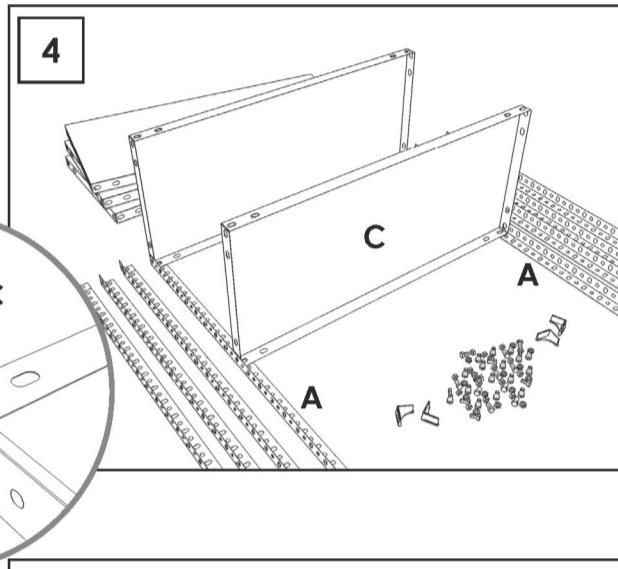
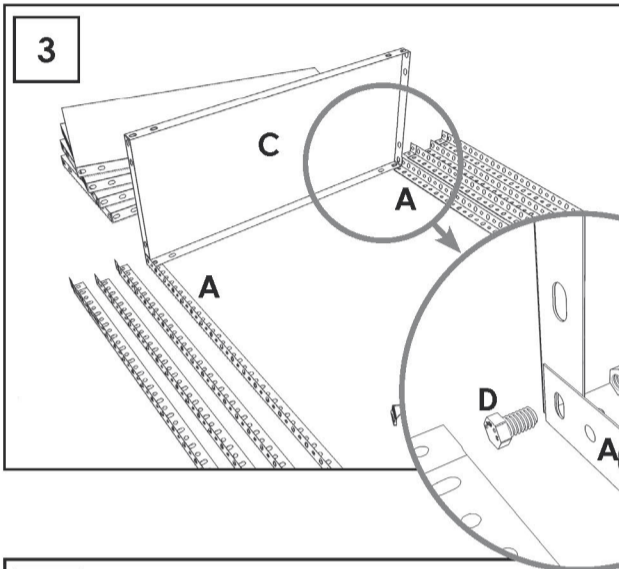
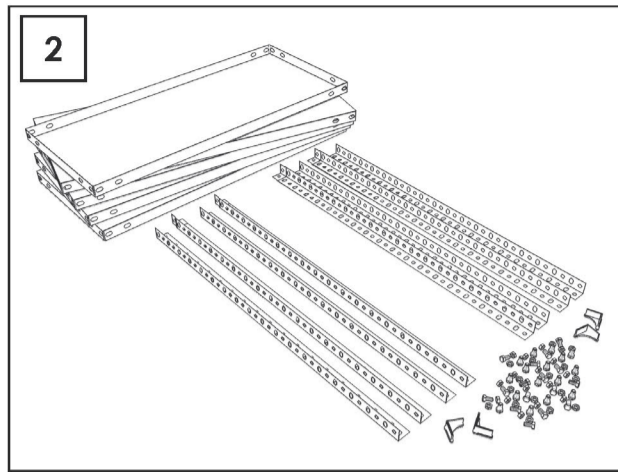
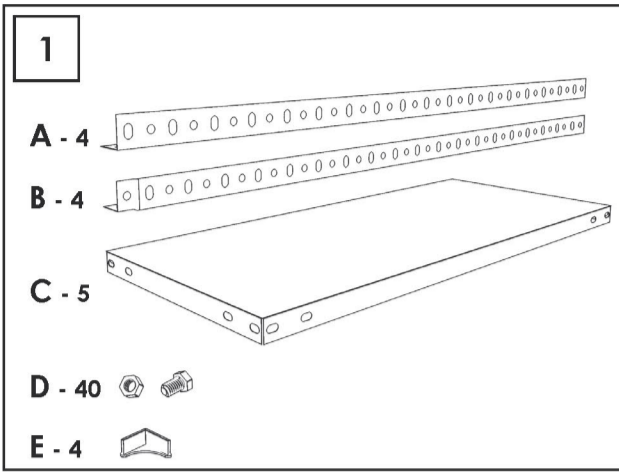


www.simonrack.com



Management System
ISO 9001:2008
www.tuv.com
ID 910604225

INSTRUCTIONS



On-line instructions: www.instructionsrack.com/simonclassic

SIMONCLASSIC

BOLTS SYSTEM

Up to: **150 Kg** (331 lb)
Kg/Shelf
Uniformly Distributed Load



SIMONCLICK

NO BOLTS SYSTEM

Up to: **400 Kg** (882 lb)
Kg/Shelf
Uniformly Distributed Load



SIMONOFFICE

NO BOLTS SYSTEM

Up to: **275 Kg** (606 lb)
Kg/Shelf
Uniformly Distributed Load



SIMONTALLER

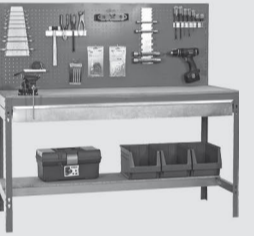
NO BOLTS SYSTEM

Up to: **700 Kg** (1543 lb)
Kg/Shelf
Uniformly Distributed Load



BANCOS DE TRABAJO WORK BENCHES

Up to: **800 Kg** (1764 lb)
Kg/Shelf
Uniformly Distributed Load



SIMONHOME

Up to: **150 Kg** (331 lb)
Kg/Shelf
Uniformly Distributed Load



TAQUILLAS LOCKER



SIMONTITÁN

NO BOLTS SYSTEM

Up to: **900 Kg** (1984 lb)
Kg/Shelf
Uniformly Distributed Load



SIMONINOX

NO BOLTS SYSTEM

Up to: **900 Kg** (1984 lb)
Kg/Shelf
Uniformly Distributed Load



SIMONPALET

Up to: **4500 Kg** (9921 lb)
Kg/Shelf
Uniformly Distributed Load



SIMONLEVER

Up to: **4500 Kg** (9921 lb)
Kg/Shelf
Uniformly Distributed Load



ALTILLOS Y PASILLOS ELEVADOS PLATFORMS AND MEZZANINES

