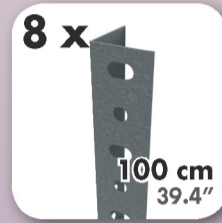


200 x 100 x 30 cm*

78.7" x 39.4" x 11.8"

COMFORT PLUS 5/300

5 years
SIMONRACK
GUARANTEE



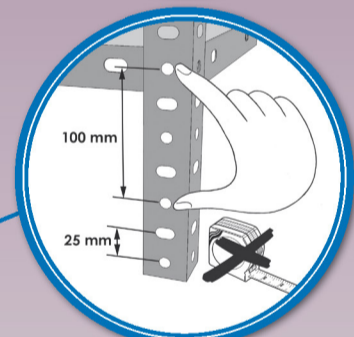
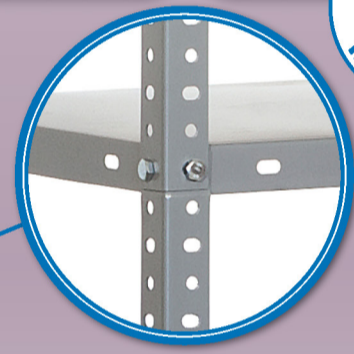
500 kg
(1100 lb)
Total



200 cm (78.7")

30 cm (11.8")

100 cm (39.4")



*MEDIDAS EN USO: 2003 x 1014 x 314 mm
USED MEASUREMENTS: 78.86" x 39.92" x 12.36"



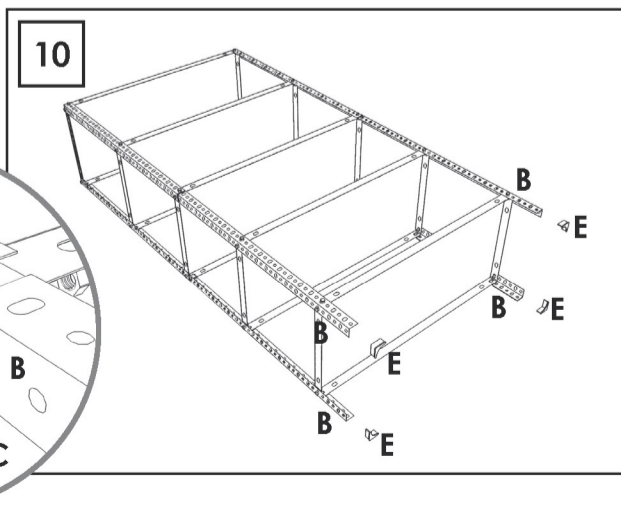
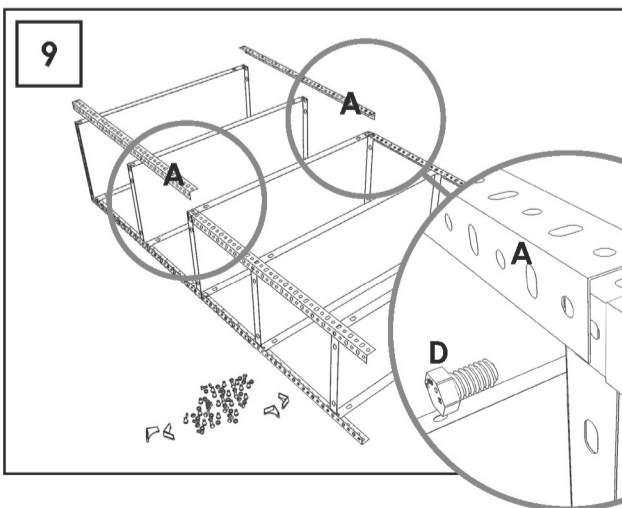
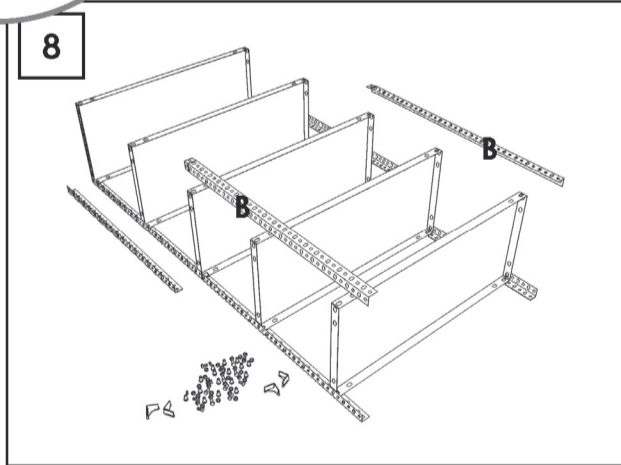
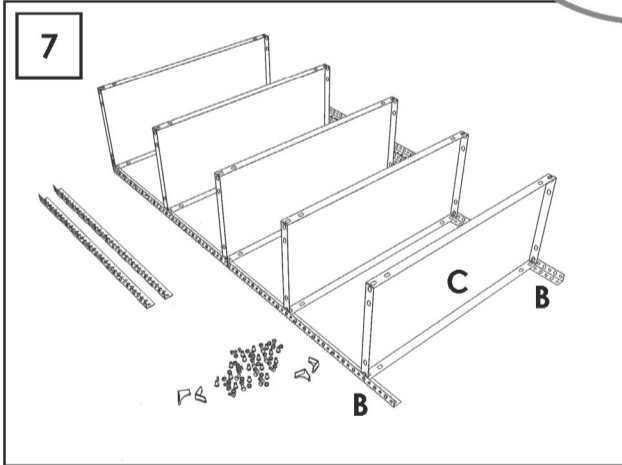
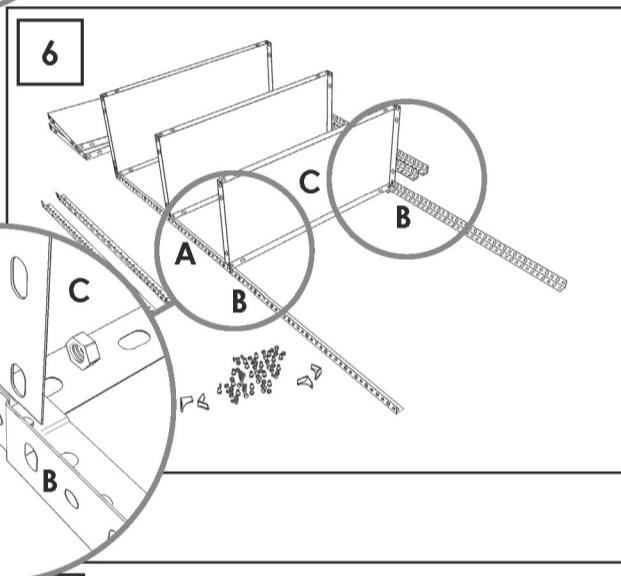
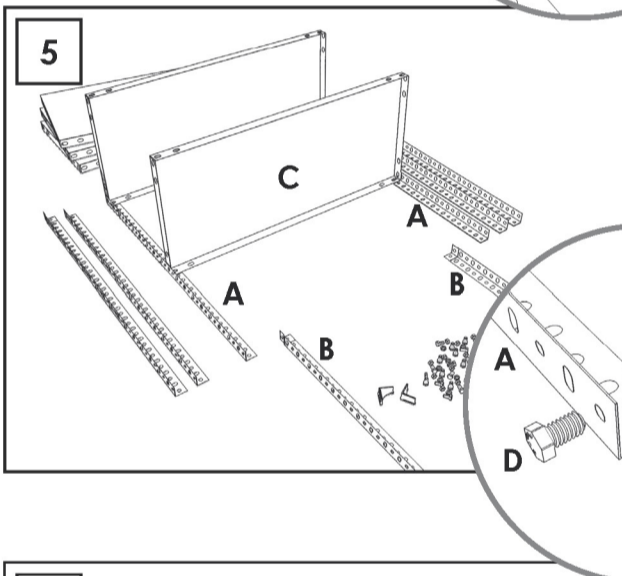
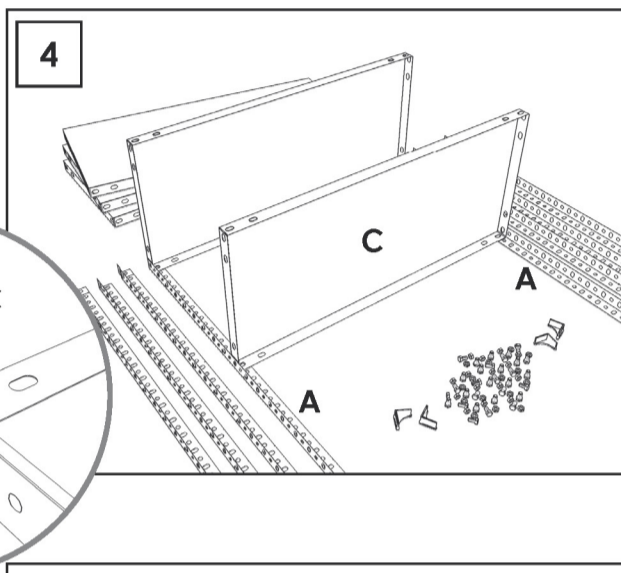
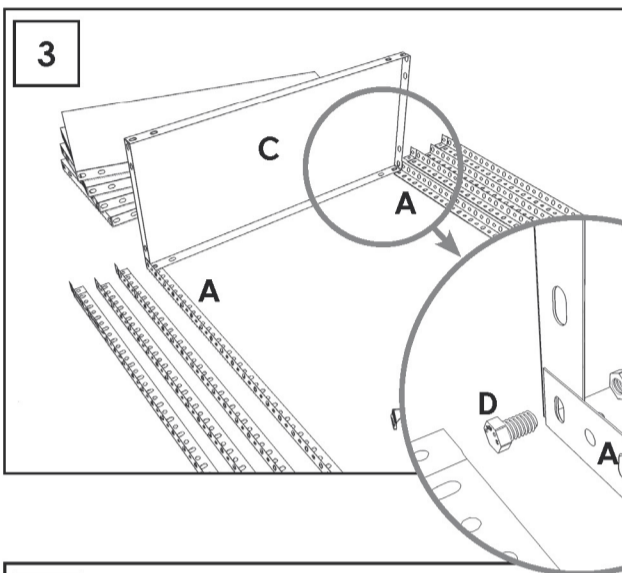
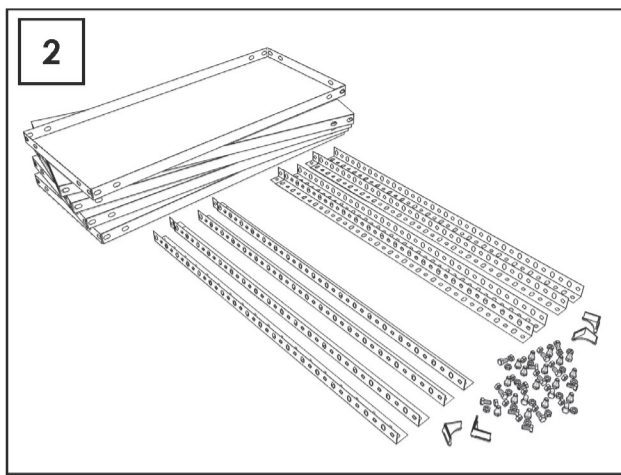
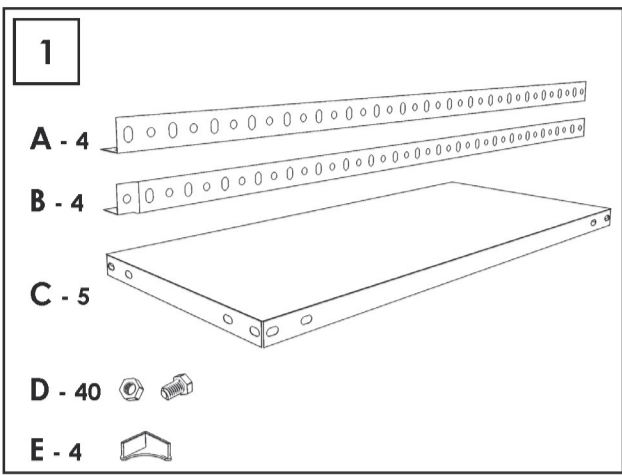
ESTANTERIAS SIMON S.L. B.50.556.463
PG. ALFAMEN C/ POLIGONO C, Nº3
ALFAMEN (ZARAGOZA)



www.simonrack.com



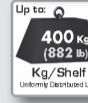
INSTRUCTIONS



SIMONCLASSIC



SIMONCLICK



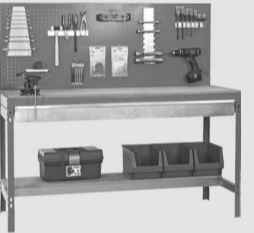
SIMONOFFICE



SIMONTALLER



**BANCOS DE TRABAJO
WORK BENCHES**



SIMONHOME



**TAQUILLAS
LOCKER**



SIMONTITÁN



SIMONINOX



SIMONPALET



SIMONLEVER



**ALTILOS Y PASILLOS ELEVADOS
PLATFORMS AND MEZZANINES**

