

200 x 100 x 40 cm*

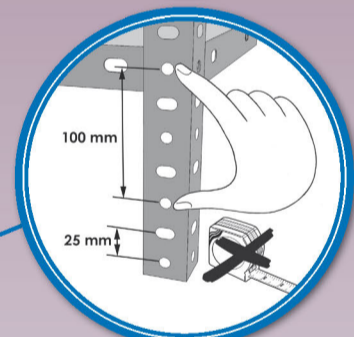
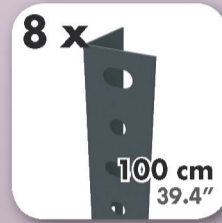
78.7" x 39.4" x 15.8"

COMFORT PLUS 5/400

5 years
SIMONRACK
GUARANTEE



500 kg
(1102 lb)
Total



*MEDIDAS EN USO: 2003 x 1014 x 414 mm
USED MEASUREMENTS: 78.86" x 39.92" x 16.30"



ESTANTERIAS SIMON S.L. B.50.556.463
PG. ALFAMEN C/ POLIGONO C, N°3
ALFAMEN (ZARAGOZA)



www.simonrack.com



Management System
ISO 9001:2008
www.tuv.com
ID 910604425

INSTRUCTIONS

