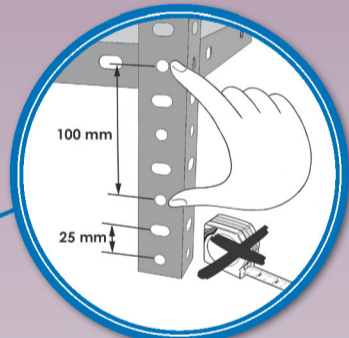
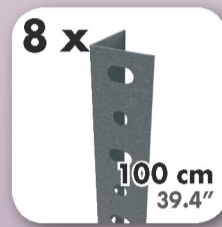


200 x 100 x 50 cm*

78.7" x 39.4" x 19.7"

COMFORT PLUS 5/500

5 years
SIMONRACK
GUARANTEE



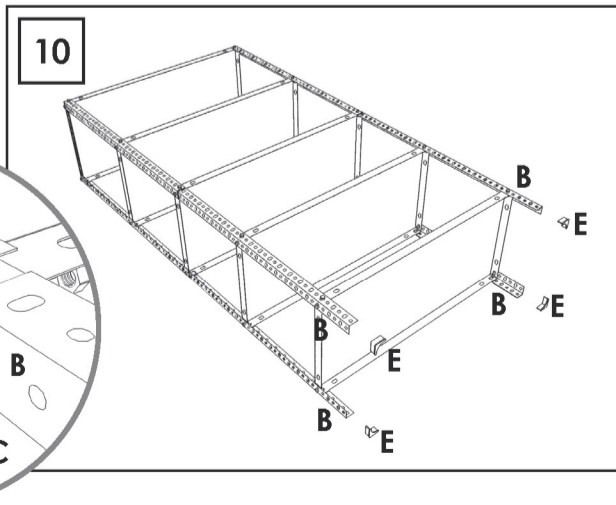
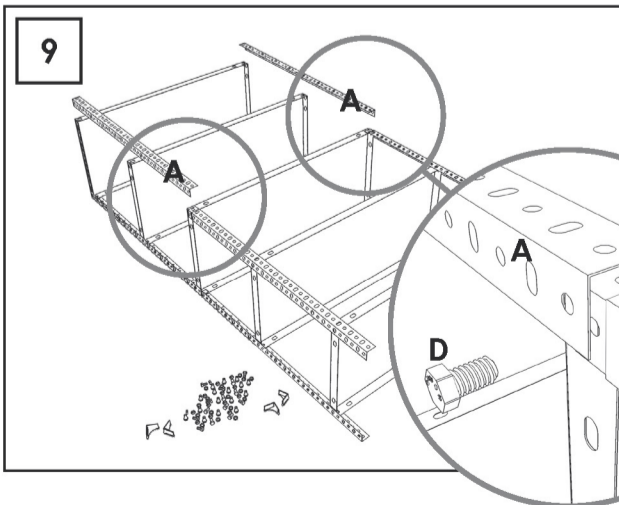
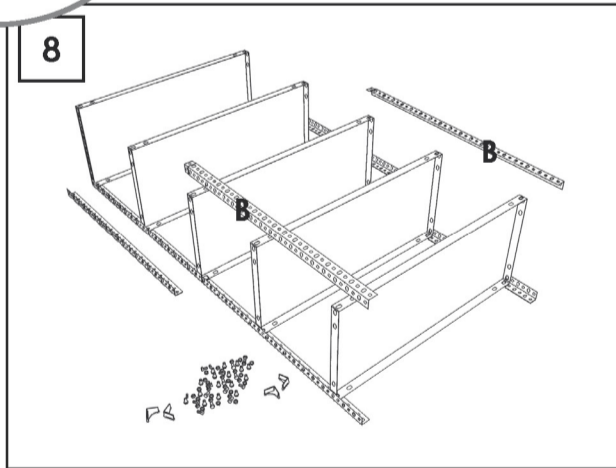
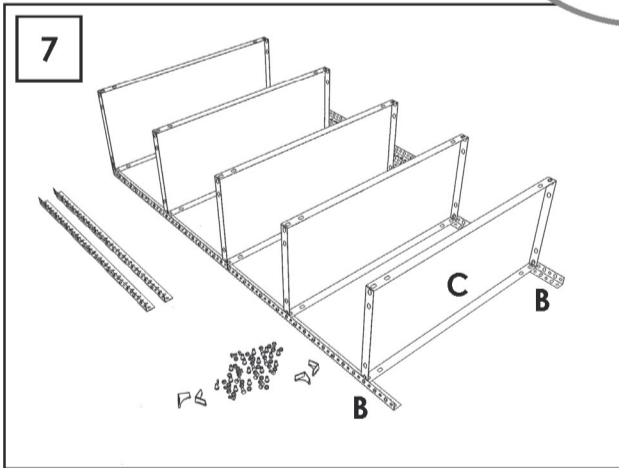
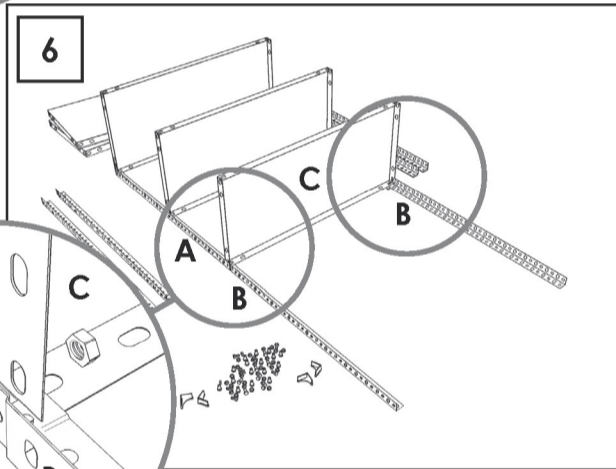
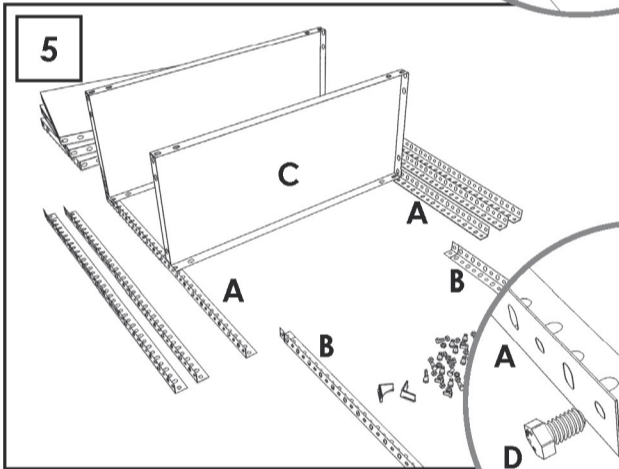
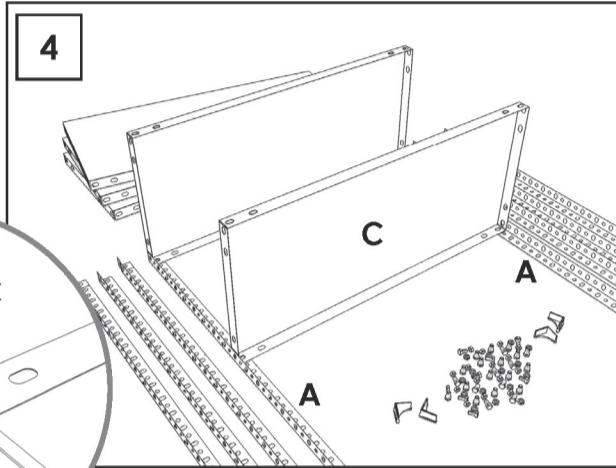
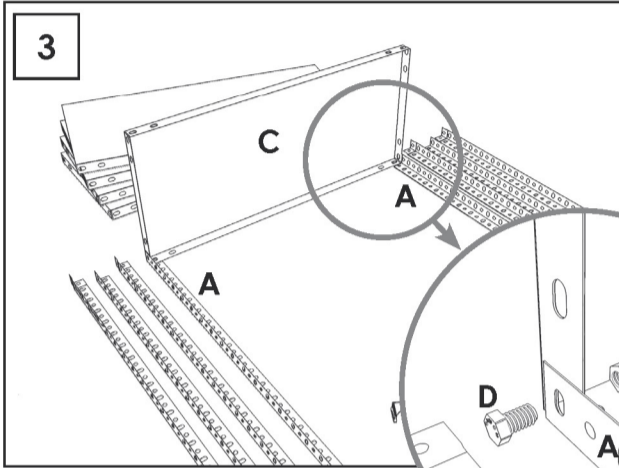
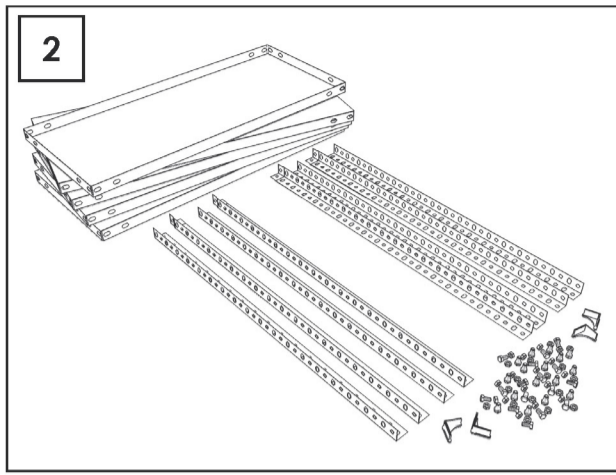
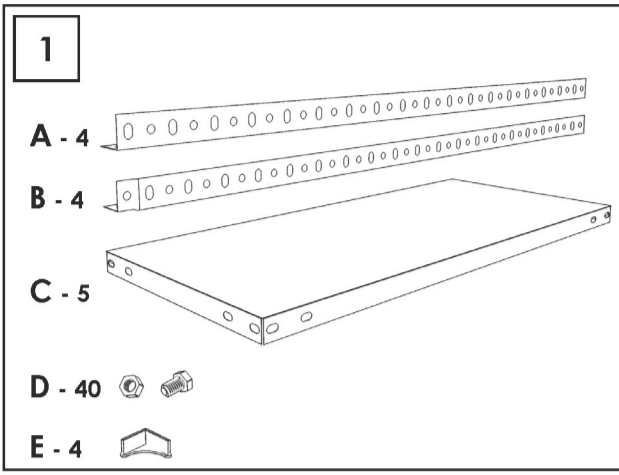
ESTANTERIAS SIMON S.L. B.50.556.463
PG. ALFAMEN C/ POLIGONO C, Nº3
ALFAMEN (ZARAGOZA)



www.simonrack.com



INSTRUCTIONS


SIMONCLASSIC

SIMONCLICK

SIMONOFFICE

SIMONTALLER

BANCOS DE TRABAJO WORK BENCHES

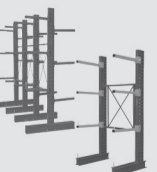
SIMONHOME

TAQUILLAS LOCKER

SIMONTITÁN

SIMONINOX

SIMONPALET

SIMONLEVER

ALTILLOS Y PASILLOS ELEVADOS PLATFORMS AND MEZZANINES
