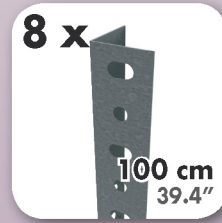
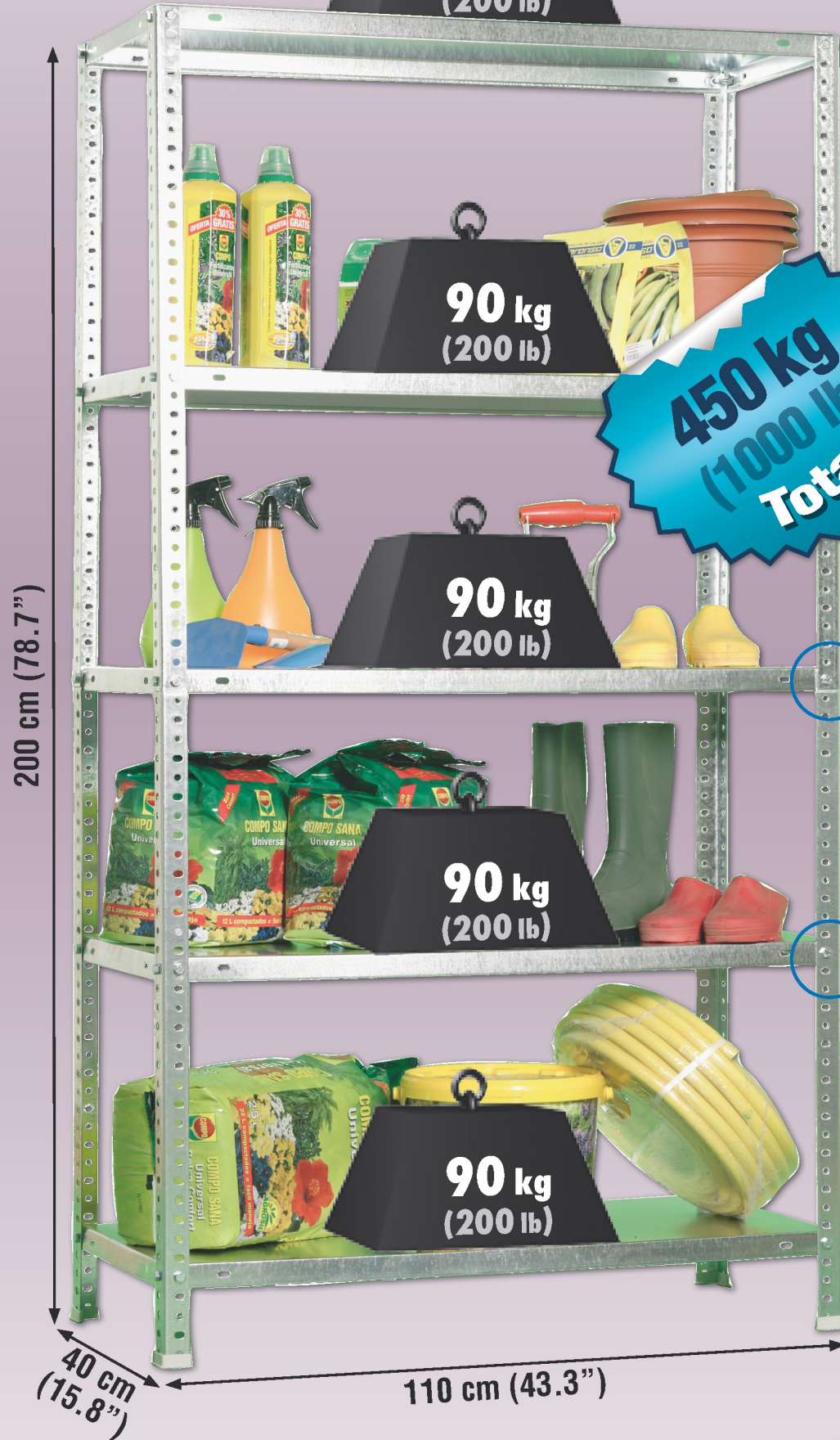


# 200 x 110 x 40 cm\*

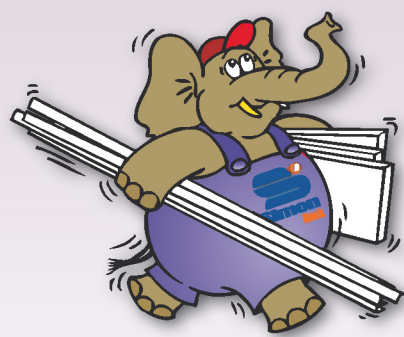
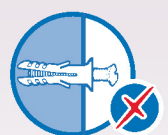
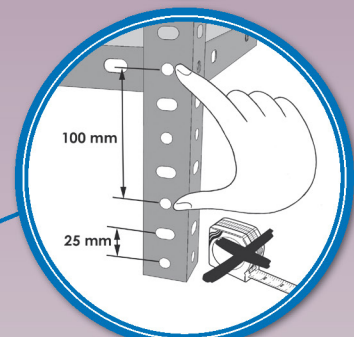
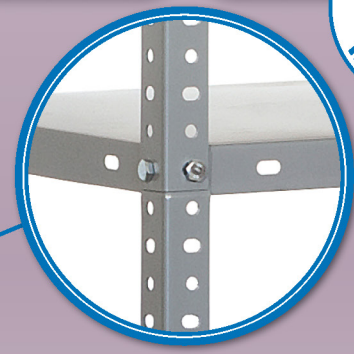
## 78.7" x 43.3" x 15.8"

### COMFORT SUPERPLUS 5/400

**5** years  
SIMONRACK  
GUARANTEE



**450 kg  
(1000 lb)  
Total**



\*MEDIDAS EN USO: 2003 x 1114 x 414 mm  
USED MEASUREMENTS: 78.86" x 43.86" x 16.30"



ESTANTERIAS SIMON S.L. B.50.556.463  
PG. ALFAMEN C/ POLIGONO C, N°3  
ALFAMEN (ZARAGOZA)



[www.simonrack.com](http://www.simonrack.com)



Management System  
ISO 9001:2008  
[www.tuv.com](http://www.tuv.com)  
ID: 9130544225

INSTRUCTIONS



