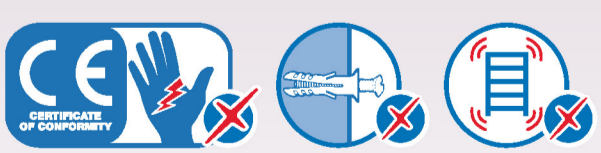
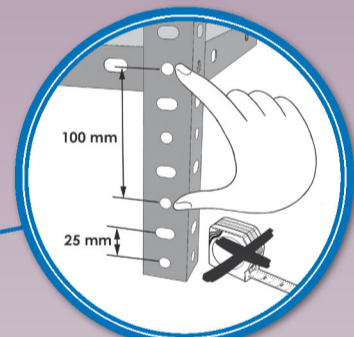
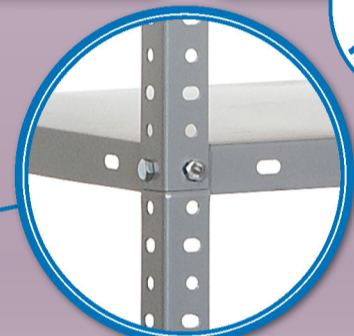
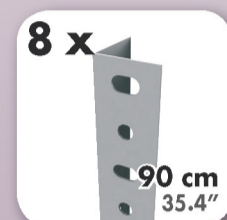


180 x 80 x 40 cm* 70.9" x 31.5" x 15.8" COMFORT MINI 5/400

5 years
SIMONRACK
GUARANTEE



**500 kg
(1100 lb)
Total**



*MEDIDAS EN USO: 1803 x 814 x 414 mm
USED MEASUREMENTS: 70.98" x 32.05" x 16.30"



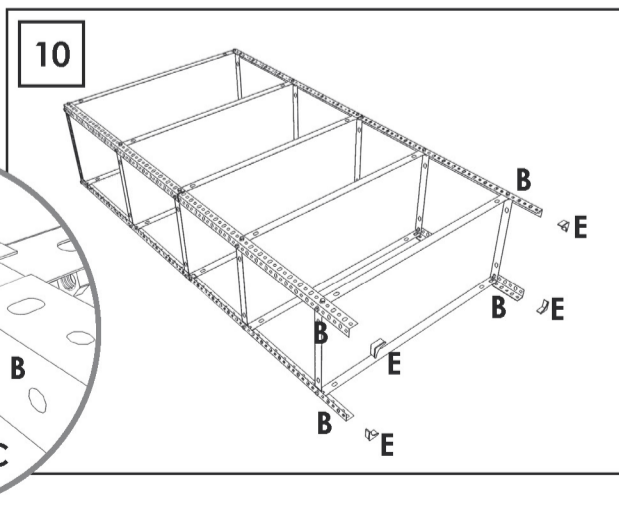
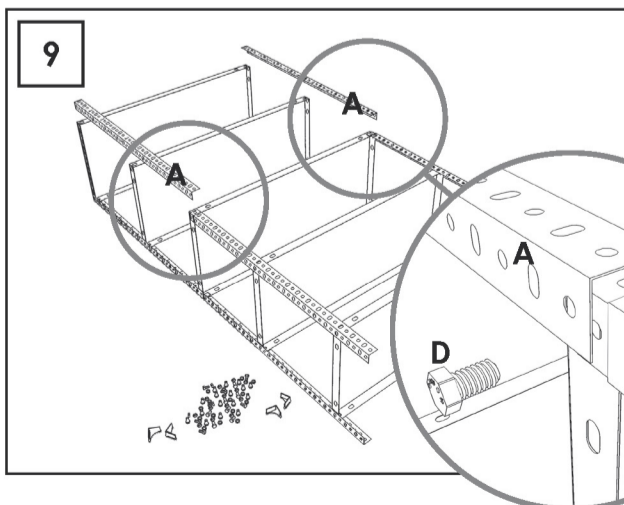
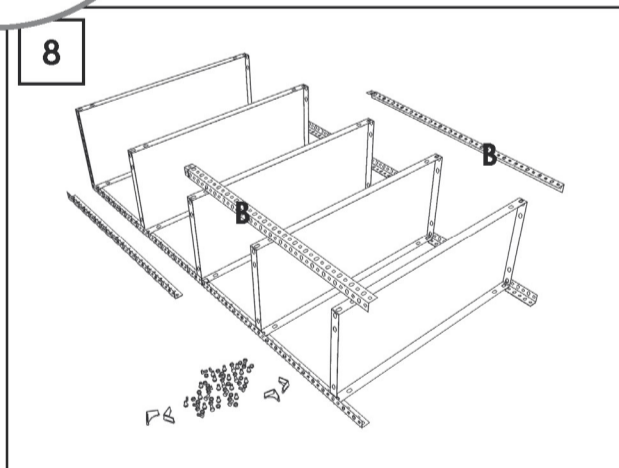
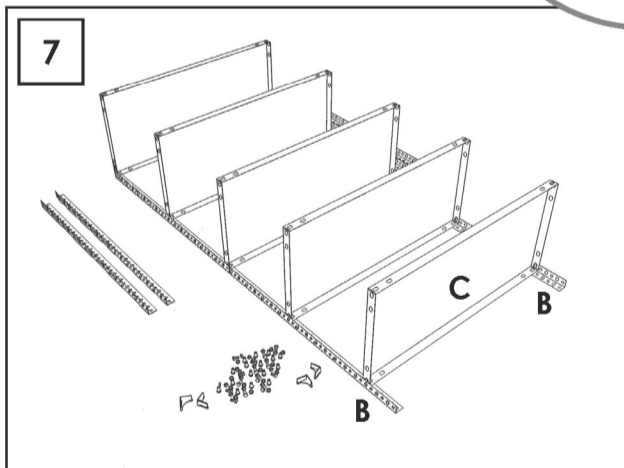
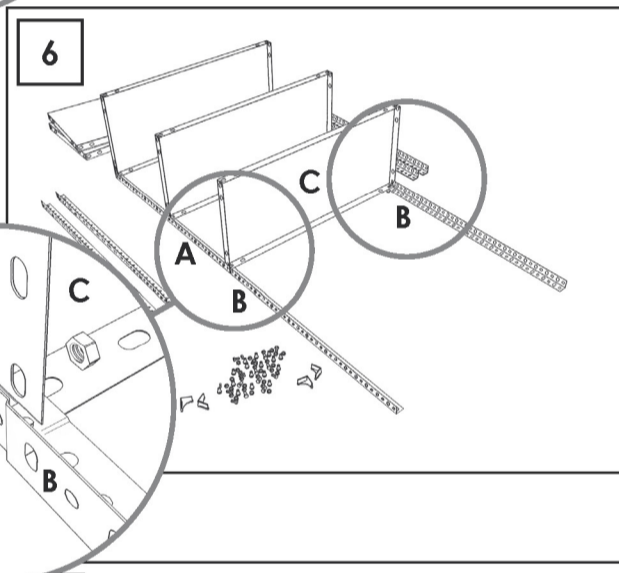
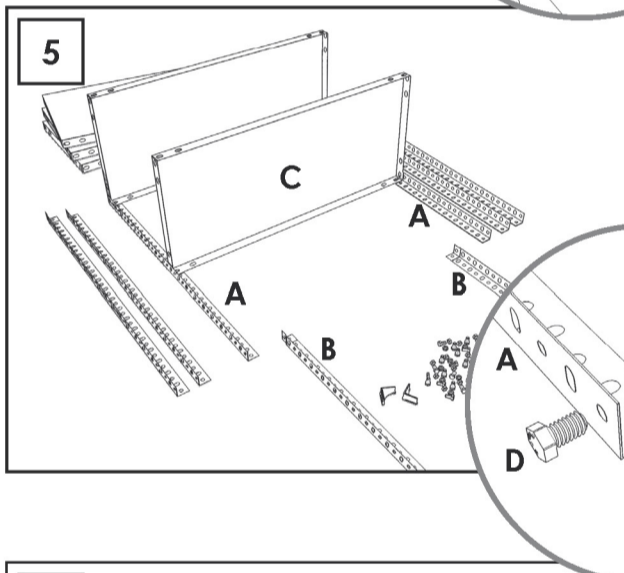
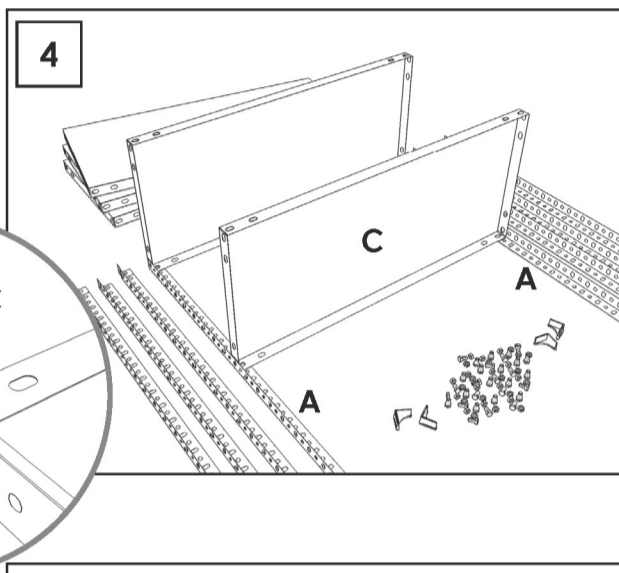
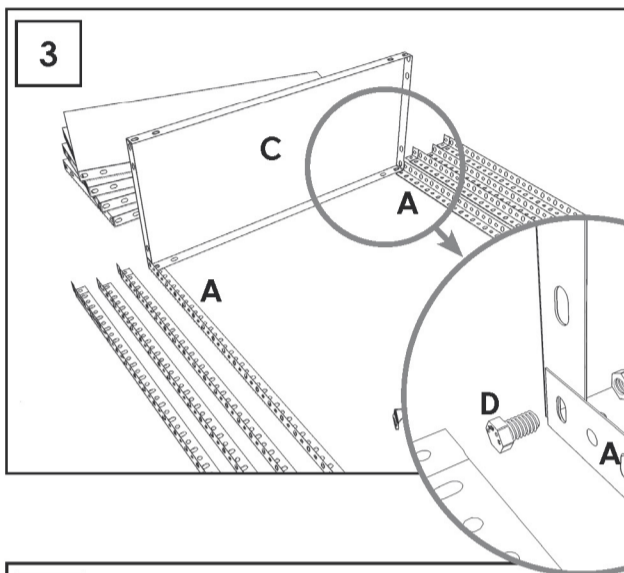
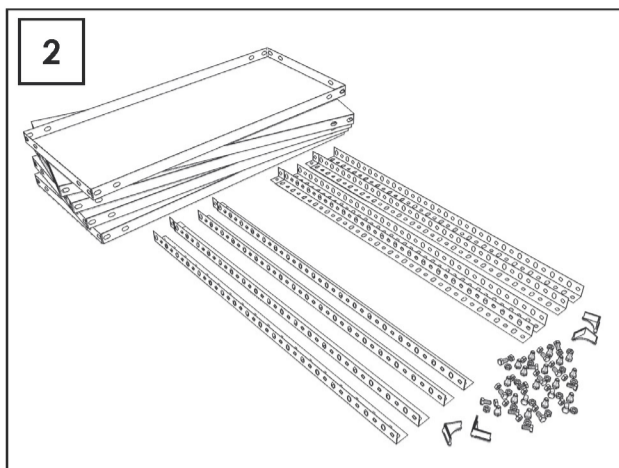
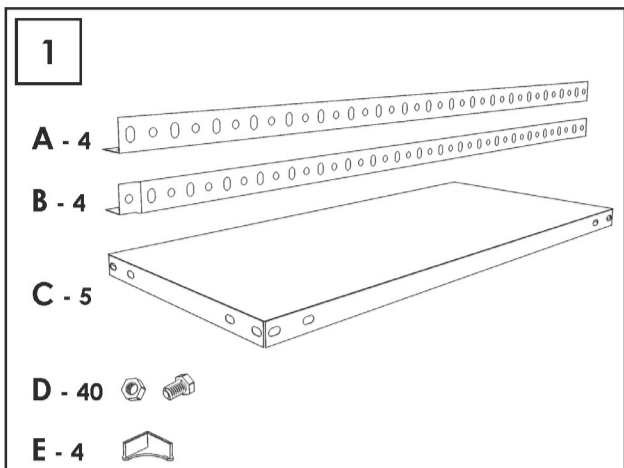
ESTANTERIAS SIMON S.L. B.50.556.463
PG. ALFAMEN C/ POLIGONO C, Nº3
ALFAMEN (ZARAGOZA)



www.simonrack.com



INSTRUCTIONS



On-line instructions: www.instructionsrack.com/simonclassic

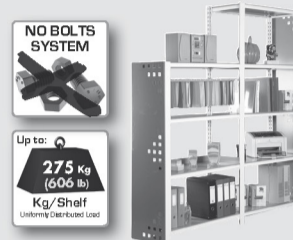
SIMONCLASSIC



SIMONCLICK



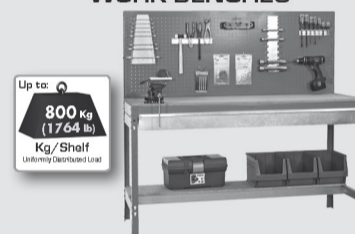
SIMONOFFICE



SIMONTALLER



BANCOS DE TRABAJO WORK BENCHES



SIMONHOME



TAQUILLAS LOCKER



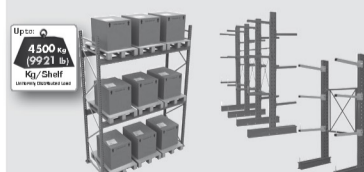
SIMONTITÁN

SIMONINOX



SIMONPALET

SIMONLEVER



ALTILLOS Y PASILLOS ELEVADOS PLATFORMS AND MEZZANINES



www.simonrack.com • www.instructionsrack.com • www.simonrack.com • www.simonrack.com • www.simonrack.com • www.simonrack.com • www.simonrack.com • www.simonrack.com