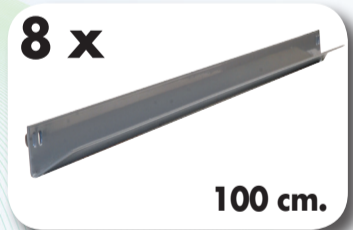
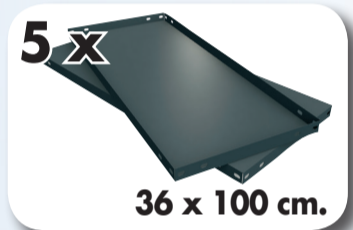


# FILECLICK Plus 5-360

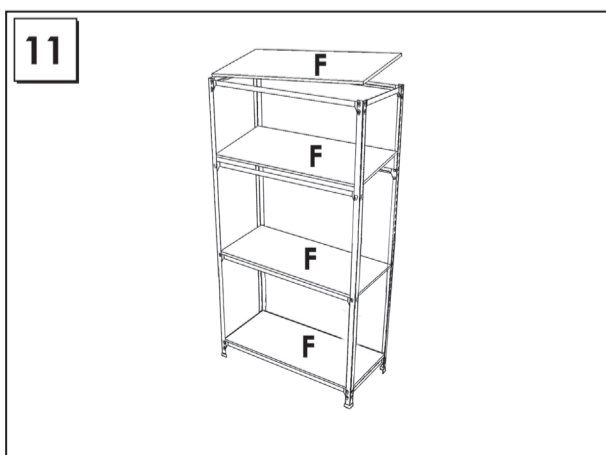
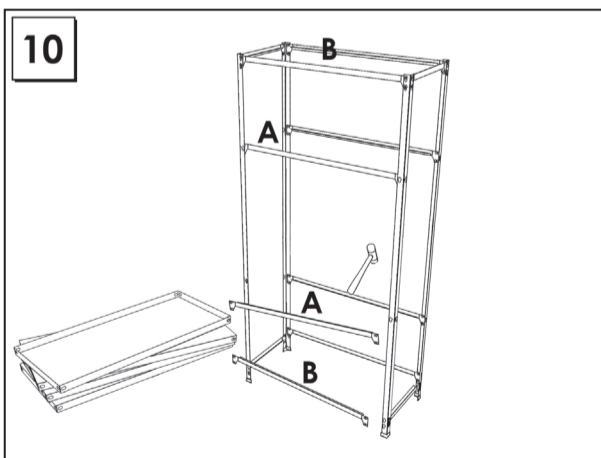
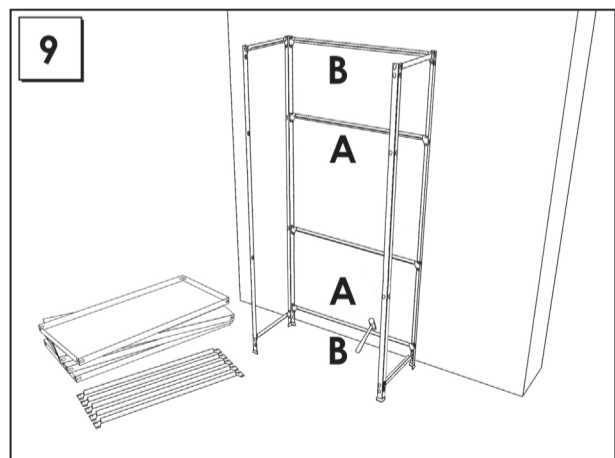
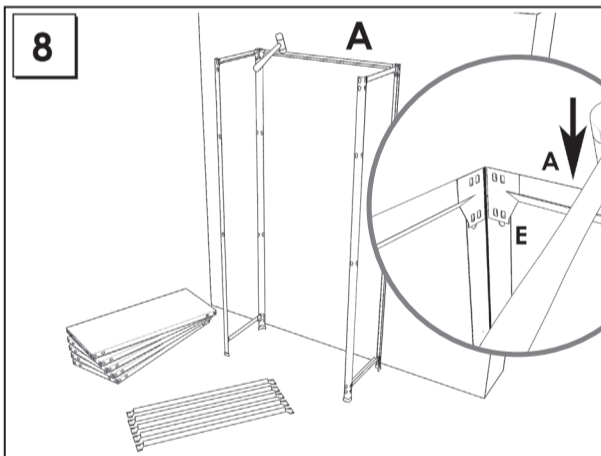
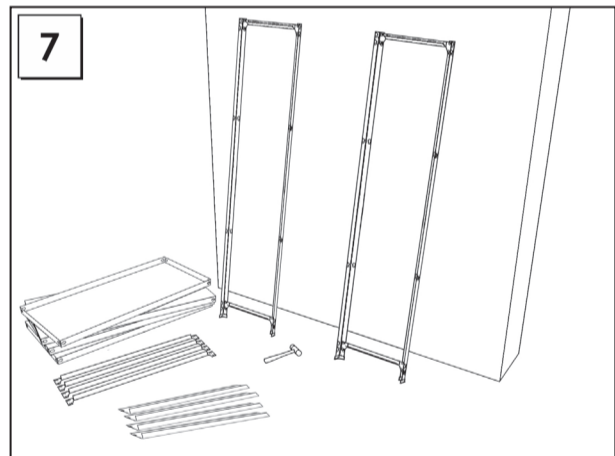
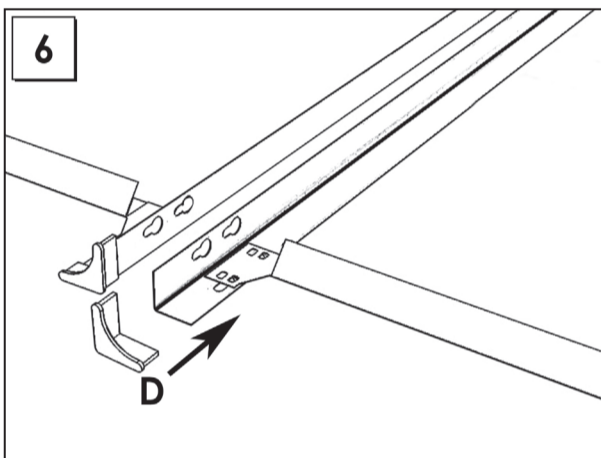
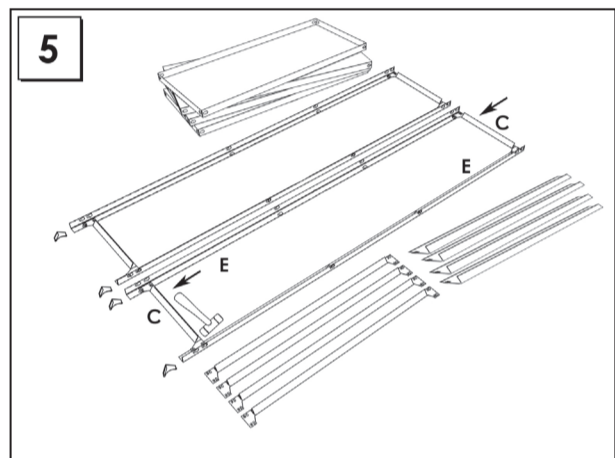
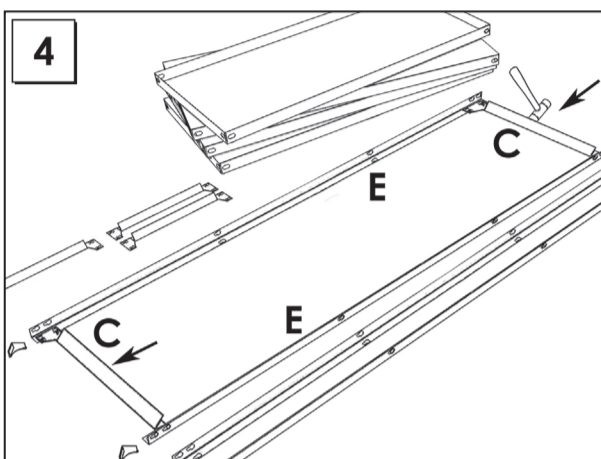
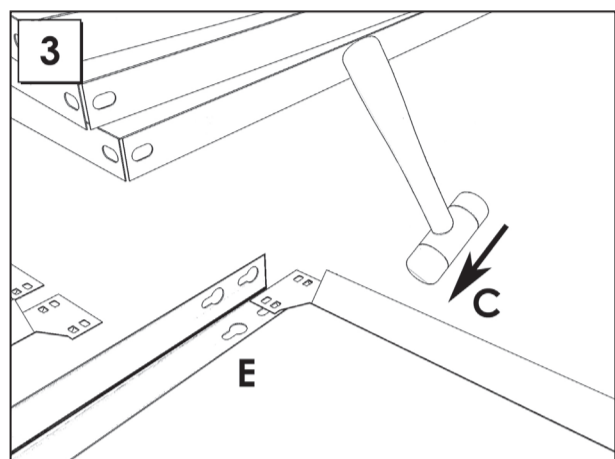
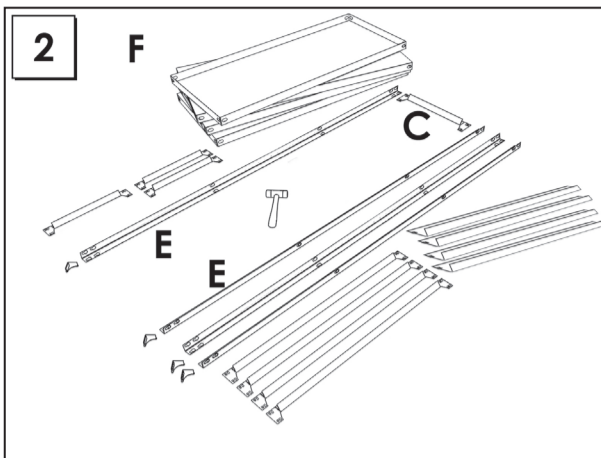
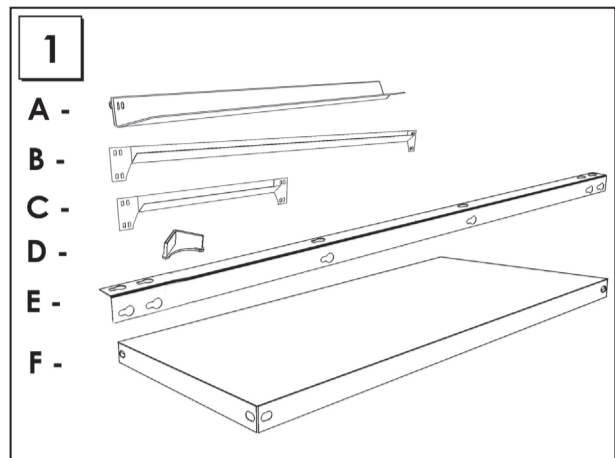
180 x 100 x 36 cm.



www.simonrack.com

MADE IN SPAIN

INSTRUCTIONS



#### SIMONCLASSIC

**BOLTS SYSTEM**

Up to: **100 Kg.**  
Kg./Shelf  
Uniformly Distributed Load

#### SIMONCLICK

**NO BOLTS SYSTEM**

Up to: **180 Kg.**  
Kg./Shelf  
Uniformly Distributed Load

#### SIMONOFFICE

**NO BOLTS SYSTEM**

Up to: **275 Kg.**  
Kg./Shelf  
Uniformly Distributed Load

#### SIMONTALLER

**NO BOLTS SYSTEM**

Up to: **600 Kg.**  
Kg./Shelf  
Uniformly Distributed Load

#### BANCOS DE TRABAJO

Up to: **800 Kg.**  
Kg./Shelf  
Uniformly Distributed Load

#### SIMONHOME

Up to: **150 Kg.**  
Kg./Shelf  
Uniformly Distributed Load

#### TAQUILLAS

#### SIMONTITÁN

**NO BOLTS SYSTEM**

Up to: **900 Kg.**  
Kg./Shelf  
Uniformly Distributed Load

#### SIMONINOX

**NO BOLTS SYSTEM**

#### SIMONPALET

Up to: **4500 Kg.**  
Kg./Shelf  
Uniformly Distributed Load

#### SIMONLEVER

#### ALTILLOS Y PASILLOS ELEVADOS

