

180 x 80 x 40 cm*

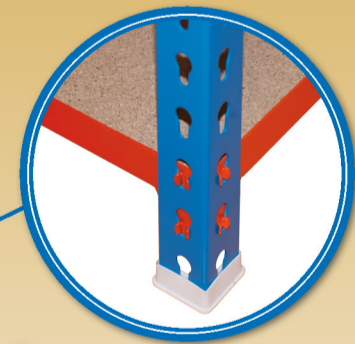
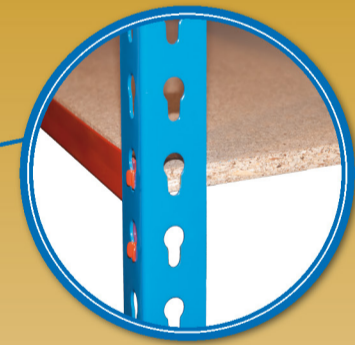
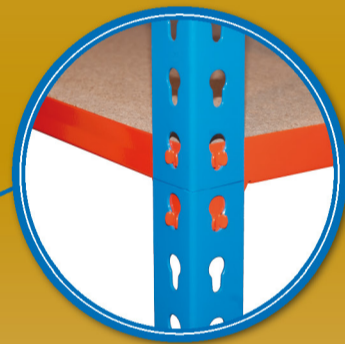
70.9" x 31.5" x 15.8"

MADERCLICK MINI 5/400

5 years
SIMONRACK
GUARANTEE



750 kg
(1654 lb)
Total



*MEDIDAS EN USO: 1781 x 811 x 410 mm
USED MEASUREMENTS: 70.12" x 31.93" x 16.14"



ESTANTERIAS SIMON S.L. B.50.556.463
PG. ALFAMEN C/ POLIGONO C, Nº3
ALFAMEN (ZARAGOZA)

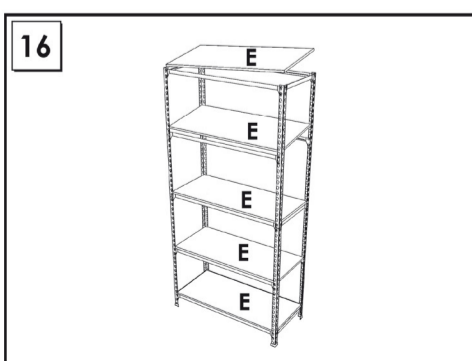
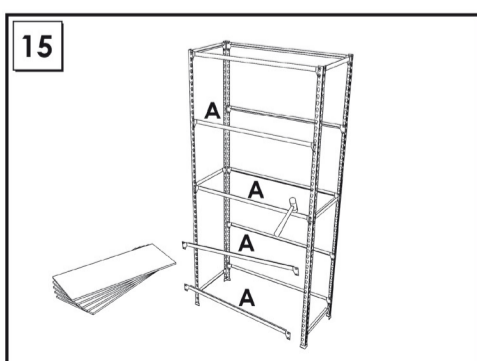
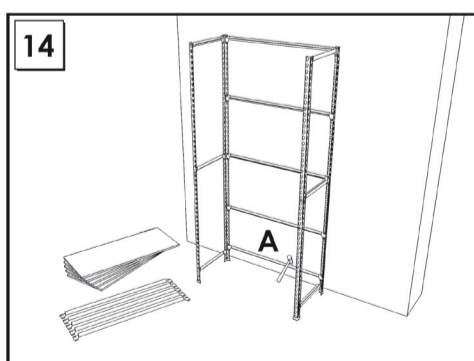
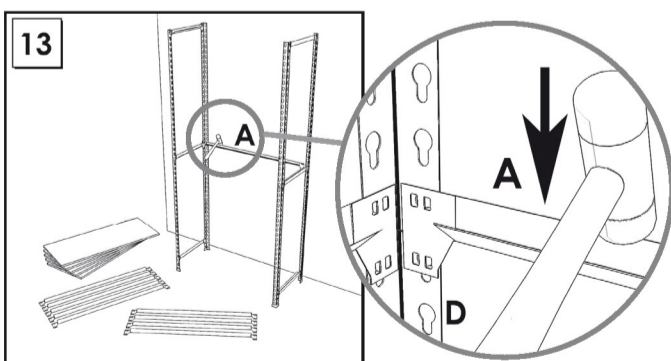
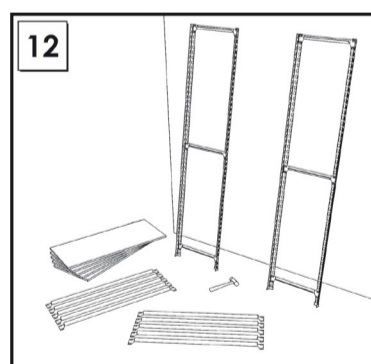
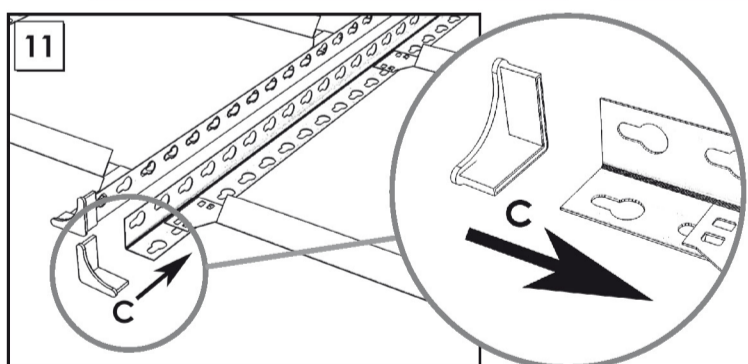
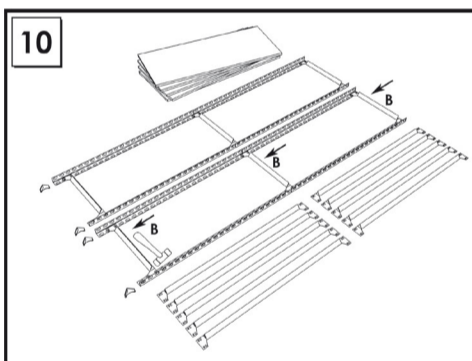
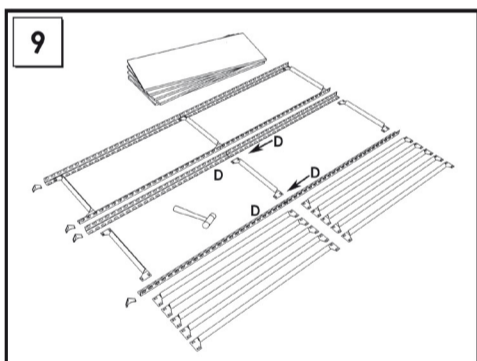
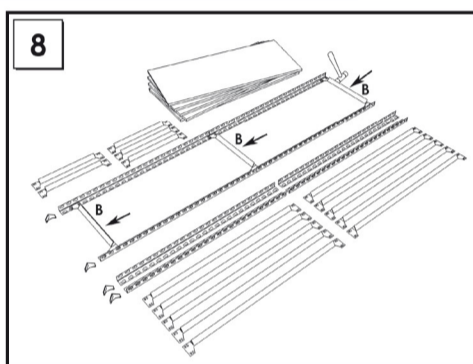
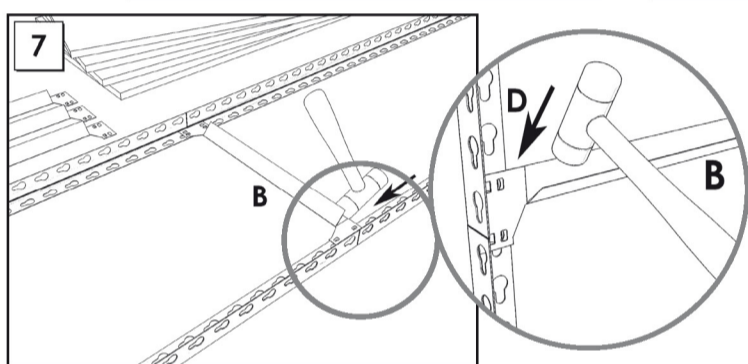
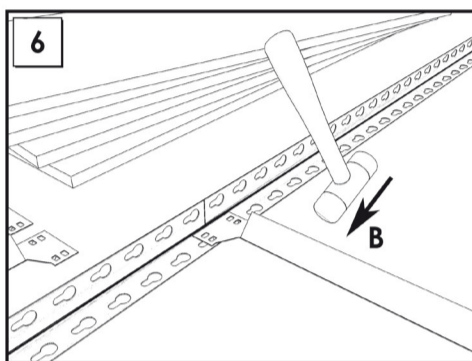
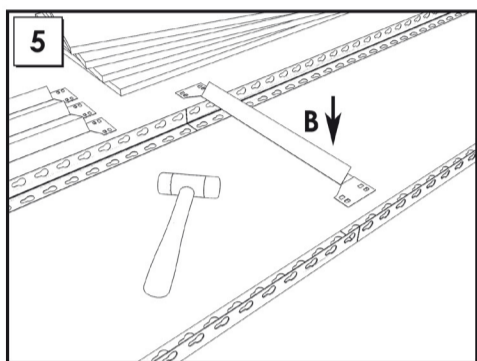
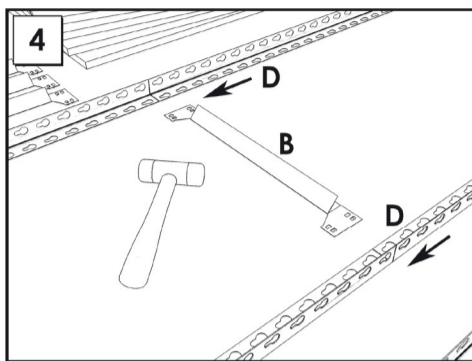
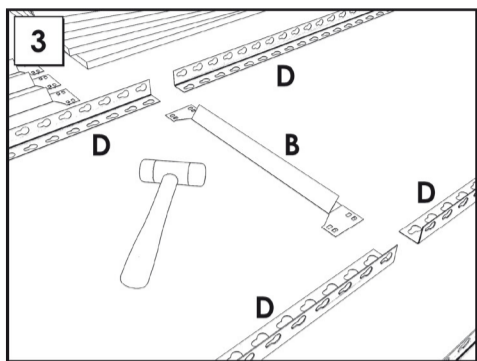
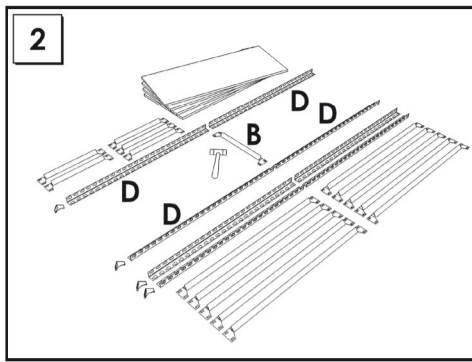
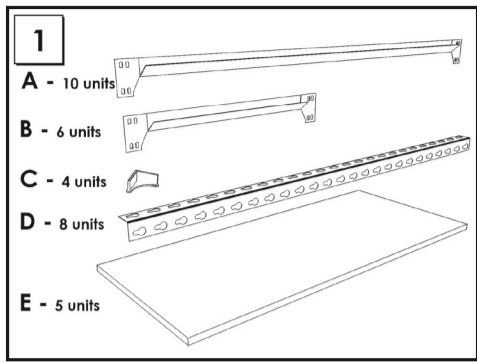


www.simonrack.com



Management System
ISO 9001:2008
www.tuv.com
ID 910604225

INSTRUCTIONS



On-line instructions: www.instructionsrack.com/maderclick

SIMONCLASSIC



Up to: **150 Kg**
(331 lb)
Kg/Shelf
Uniformly Distributed Load

SIMONCLICK



Up to: **400 Kg**
(882 lb)
Kg/Shelf
Uniformly Distributed Load

SIMONOFFICE



Up to: **275 Kg**
(606 lb)
Kg/Shelf
Uniformly Distributed Load

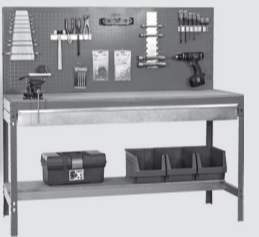
SIMONTALLER



Up to: **700 Kg**
(1543 lb)
Kg/Shelf
Uniformly Distributed Load

**BANCOS DE TRABAJO
WORK BENCHES**

Up to: **800 Kg**
(1764 lb)
Kg/Shelf
Uniformly Distributed Load



SIMONHOME

Up to: **150 Kg**
(331 lb)
Kg/Shelf
Uniformly Distributed Load



**TAQUILLAS
LOCKER**



SIMONTITÁN



Up to: **900 Kg**
(1984 lb)
Kg/Shelf
Uniformly Distributed Load

SIMONINOX

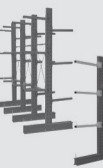


SIMONPALET

Up to: **4500 Kg**
(9923 lb)
Kg/Shelf
Uniformly Distributed Load



SIMONLEVER



**ALTILLOS Y PASILLOS ELEVADOS
PLATFORMS AND MEZZANINES**

