

200 x 100 x 50 cm*

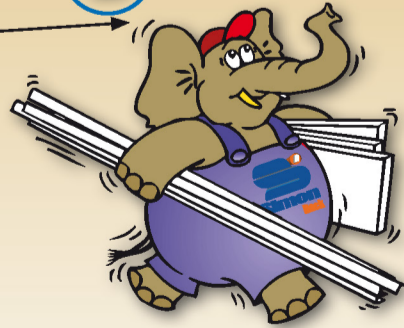
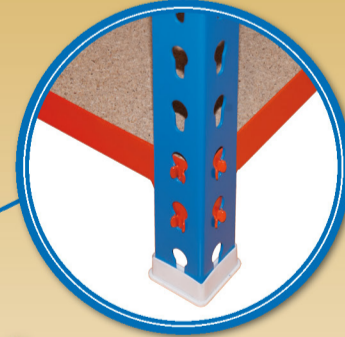
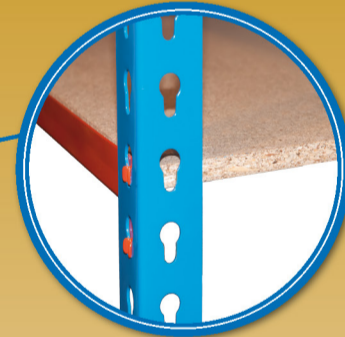
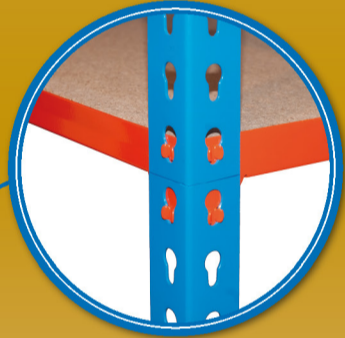
78.7" x 39.4" x 19.7"

MADERCLICK PLUS 5/500

5 years
SIMONRACK
GUARANTEE



750 kg
(1654 lb)
Total



*MEDIDAS EN USO: 1979 x 1011 x 510 mm
USED MEASUREMENTS: 77.91" x 39.80" x 20.08"



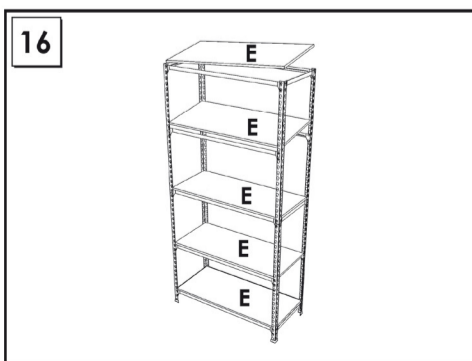
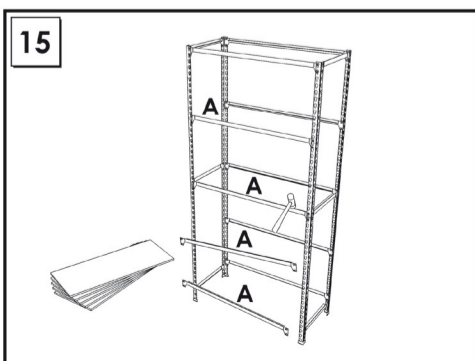
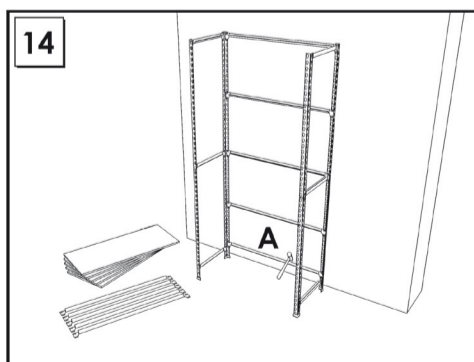
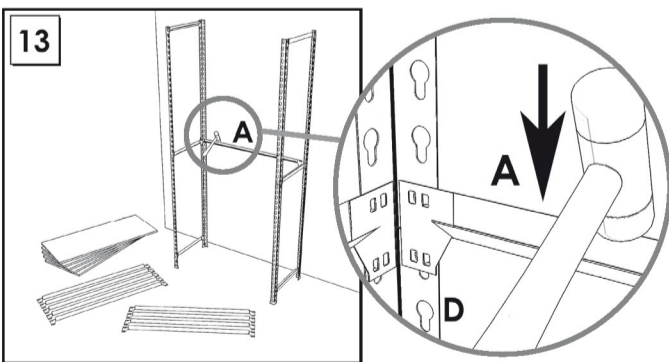
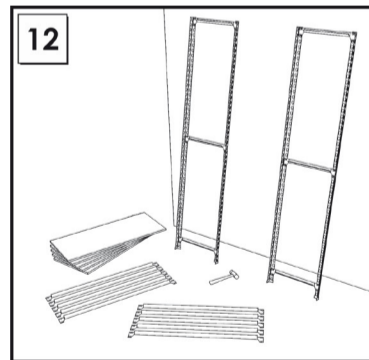
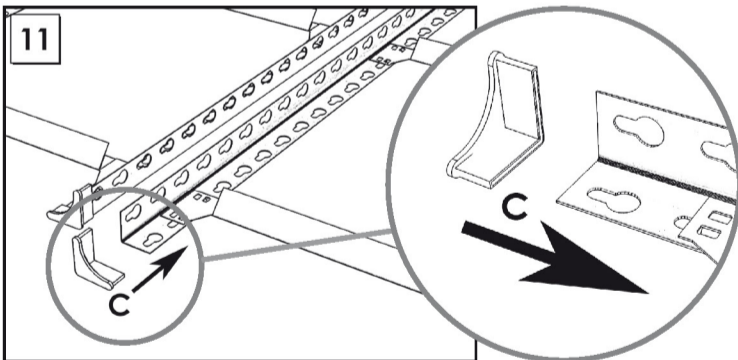
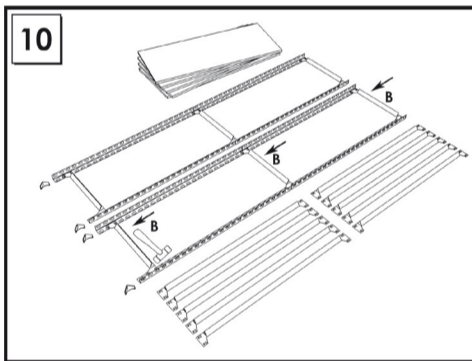
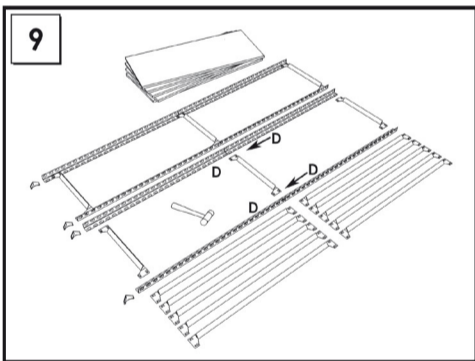
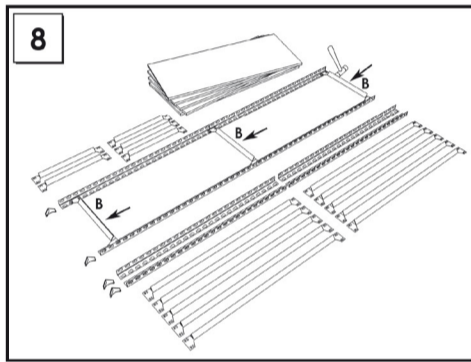
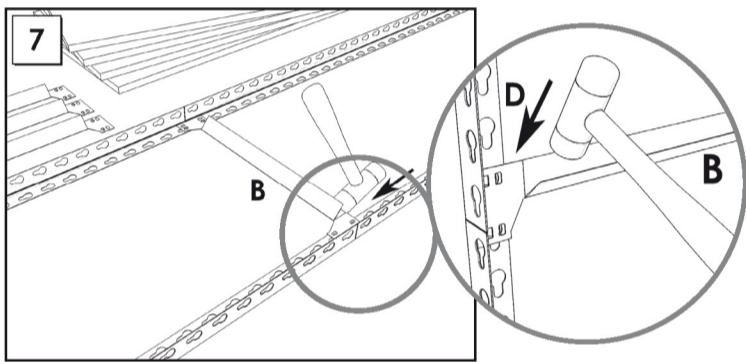
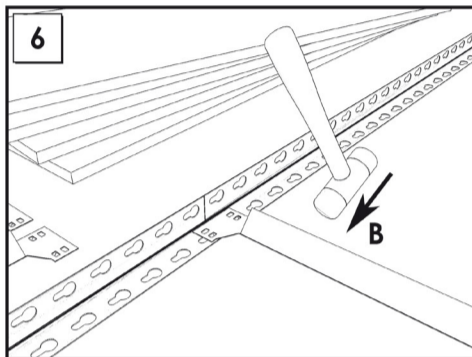
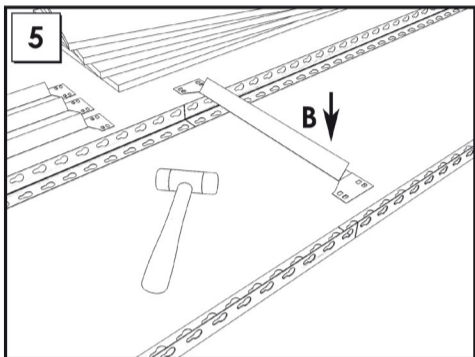
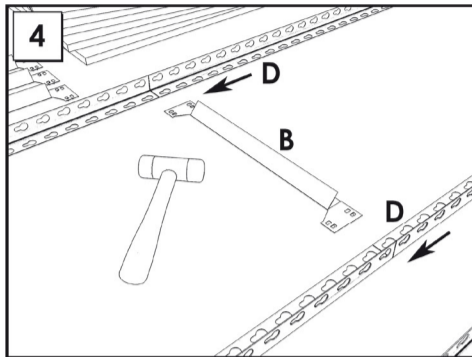
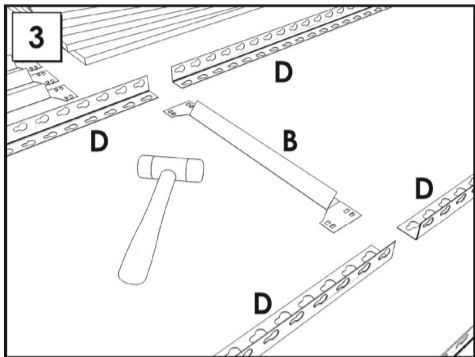
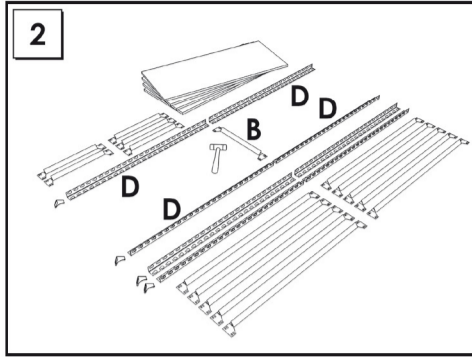
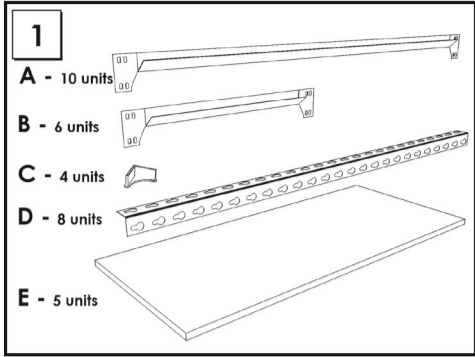
ESTANTERIAS SIMON S.L. B.50.556.463
PG. ALFAMEN C/ POLIGONO C, N°3
ALFAMEN (ZARAGOZA)



www.simonrack.com



INSTRUCTIONS



On-line instructions: www.instructionsrack.com/maderclick

SIMONCLASSIC



SIMONCLICK



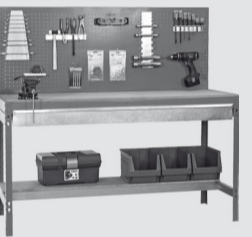
SIMONOFFICE



SIMONTALLER



BANCOS DE TRABAJO WORK BENCHES



SIMONHOME



TAQUILLAS LOCKER



SIMONTITÁN



SIMONINOX



SIMONPALET



SIMONLEVER



ALTILLOS Y PASILLOS ELEVADOS PLATFORMS AND MEZZANINES

