

200 x 100 x 50 cm*

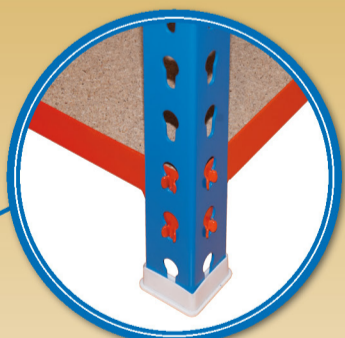
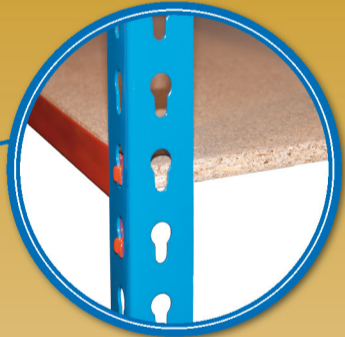
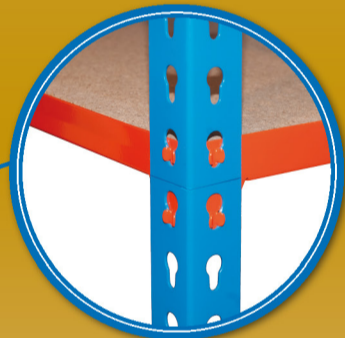
78.7" x 39.4" x 19.7"

MADERCLICK PLUS 5/500

5 years
SIMONRACK
GUARANTEE



750 kg
(1654 lb)
Total



200 cm (78.7'')

50 cm (19.7'')

100 cm (39.4'')



*MEDIDAS EN USO: 1979 x 1011 x 510 mm
USED MEASUREMENTS: 77.91" x 39.80" x 20.08"



ESTANTERIAS SIMON S.L. B.50.556.463
PG. ALFAMEN C/ POLIGONO C, N°3
ALFAMEN (ZARAGOZA)

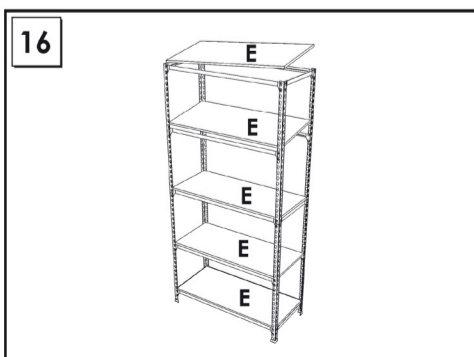
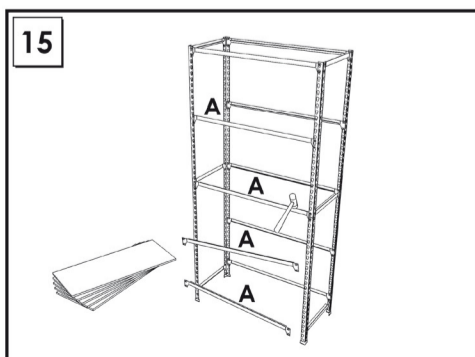
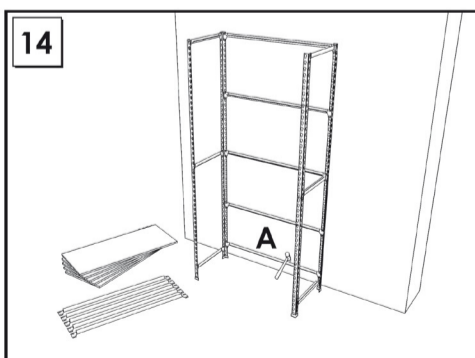
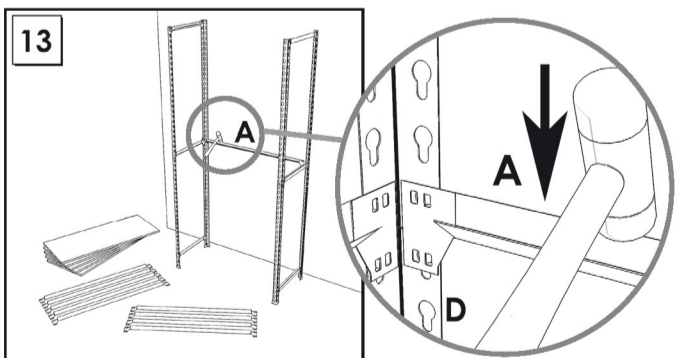
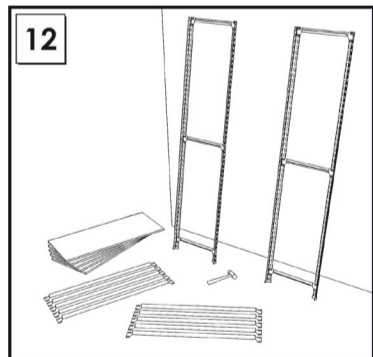
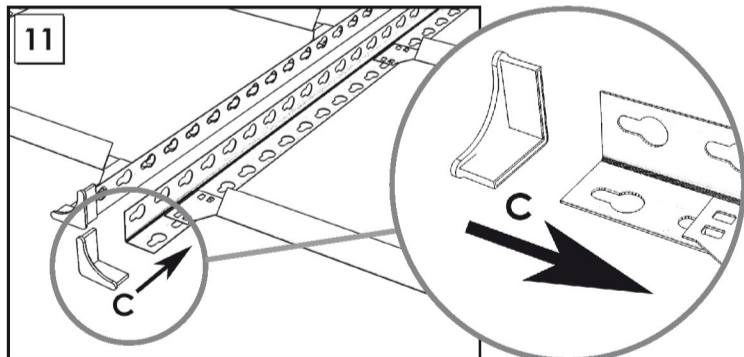
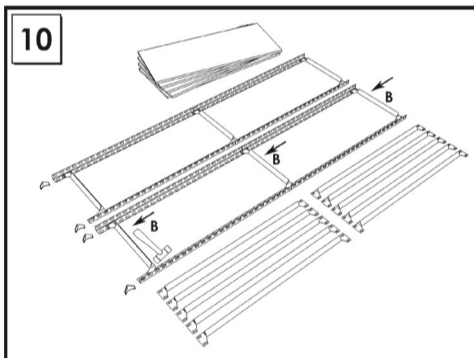
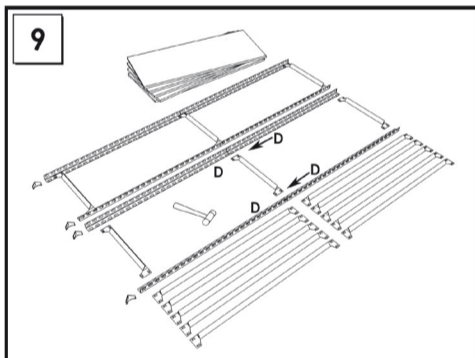
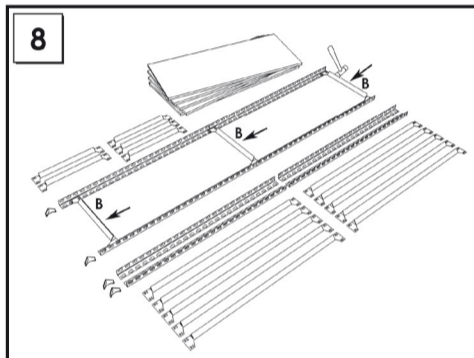
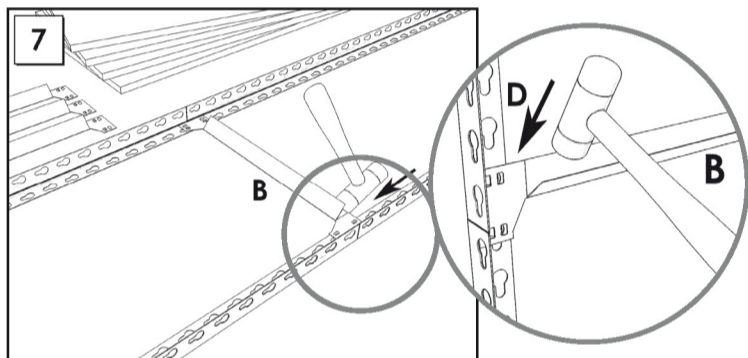
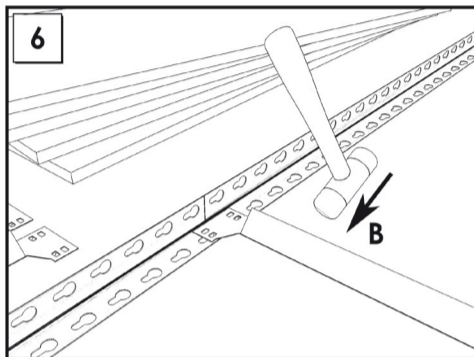
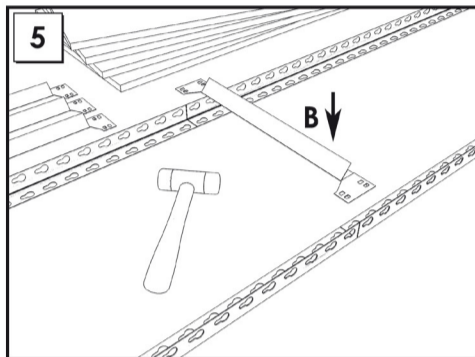
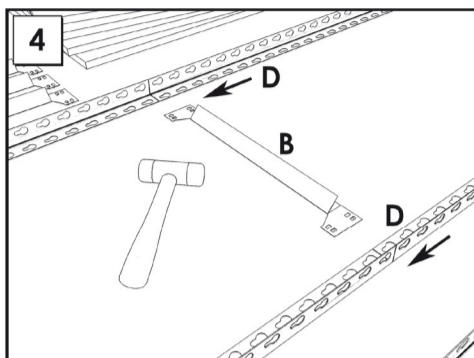
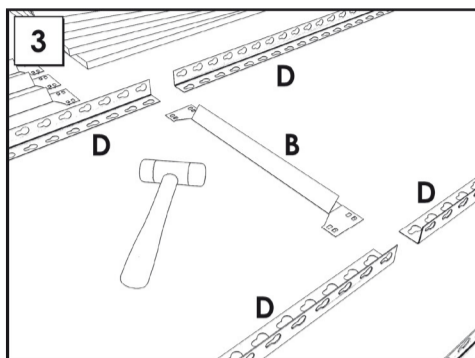
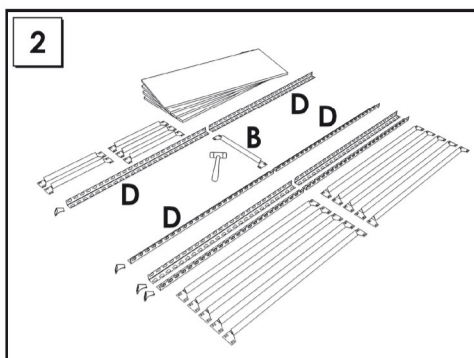
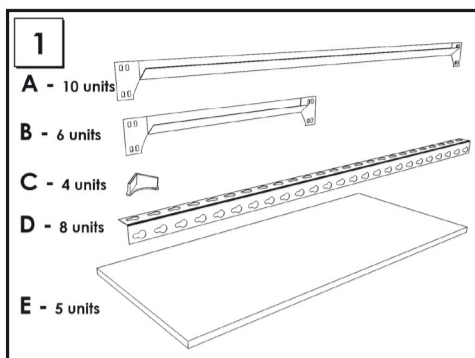


www.simonrack.com

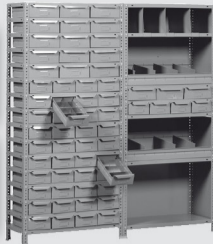


Management System
ISO 9001:2008
www.tuv.com
ID 910644225

INSTRUCTIONS



SIMONCLASSIC



Up to: **150 Kg**
(331 lb)
Kg/Shelf
Uniformly Distributed Load

SIMONCLICK



Up to: **400 Kg**
(882 lb)
Kg/Shelf
Uniformly Distributed Load

SIMONOFFICE



Up to: **275 Kg**
(606 lb)
Kg/Shelf
Uniformly Distributed Load

SIMONTALLER



Up to: **700 Kg**
(1543 lb)
Kg/Shelf
Uniformly Distributed Load

**BANCOS DE TRABAJO
WORK BENCHES**

Up to: **800 Kg**
(1764 lb)
Kg/Shelf
Uniformly Distributed Load



SIMONHOME

Up to: **150 Kg**
(331 lb)
Kg/Shelf
Uniformly Distributed Load



**TAQUILLAS
LOCKER**



SIMONTITÁN



Up to: **900 Kg**
(1984 lb)
Kg/Shelf
Uniformly Distributed Load

SIMONINOX

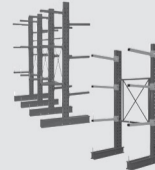


SIMONPALET

Up to: **4500 Kg**
(9921 lb)
Kg/Shelf
Uniformly Distributed Load



SIMONLEVER



**ALTILLOS Y PASILLOS ELEVADOS
PLATFORMS AND MEZZANINES**

