

200 x 100 x 50 cm*

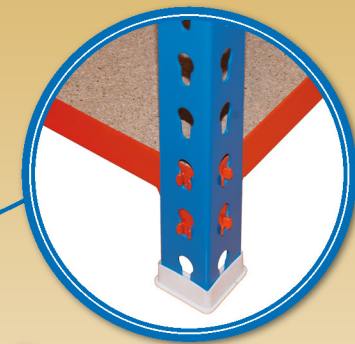
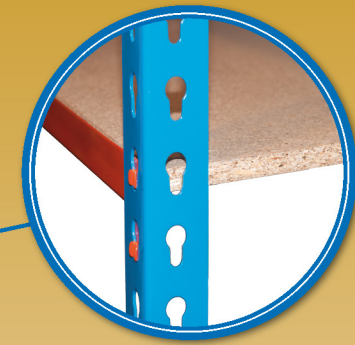
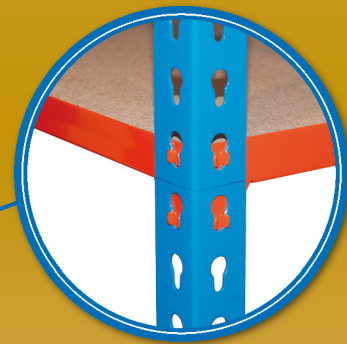
78.7" x 39.4" x 19.7"

MADERCLICK PLUS 5/500

5 years
SIMONRACK
GUARANTEE



750 kg
(1654 lb)
Total



*MEDIDAS EN USO: 1979 x 1011 x 510 mm
USED MEASUREMENTS: 77.91" x 39.80" x 20.08"



ESTANTERIAS SIMON S.L. B.50.556.463
PG. ALFAMEN C/ POLIGONO C, N°3
ALFAMEN (ZARAGOZA)

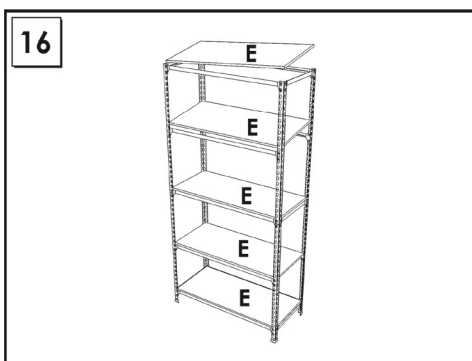
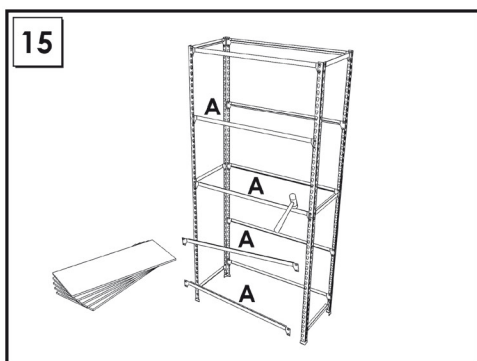
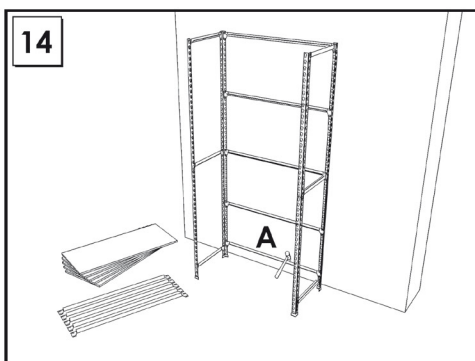
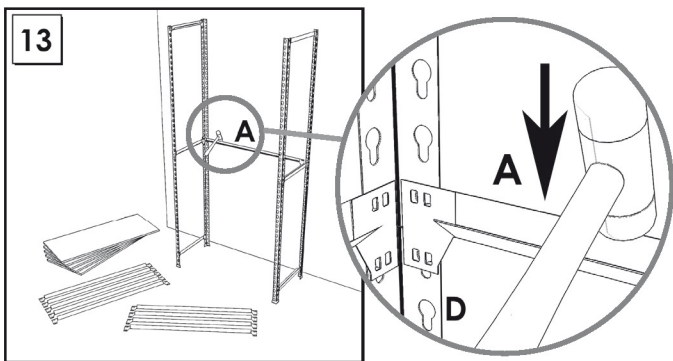
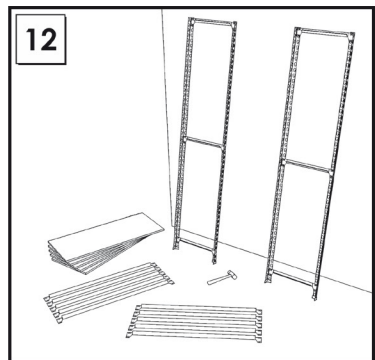
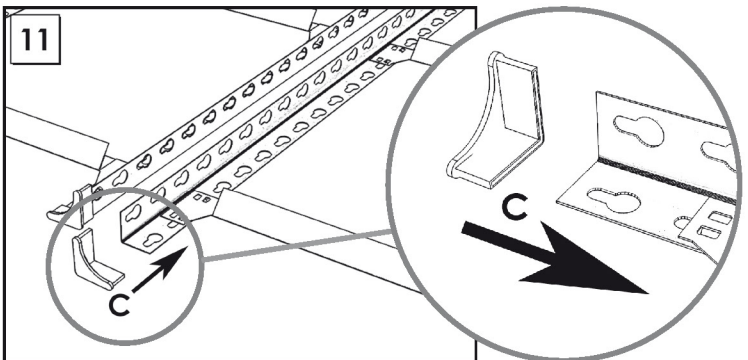
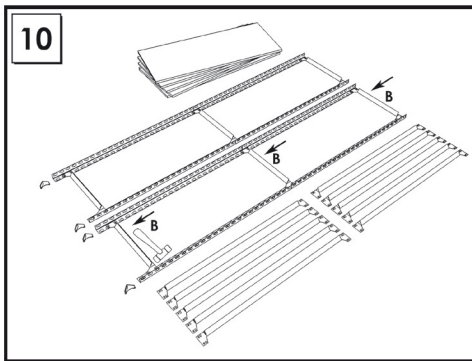
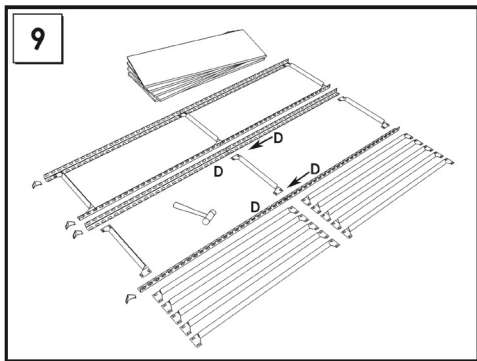
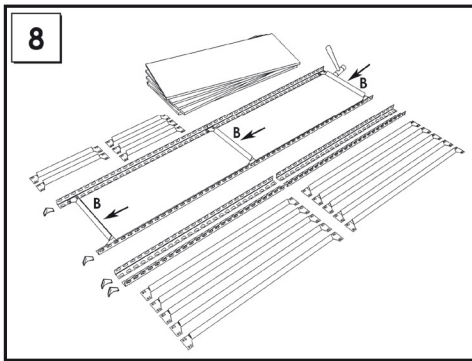
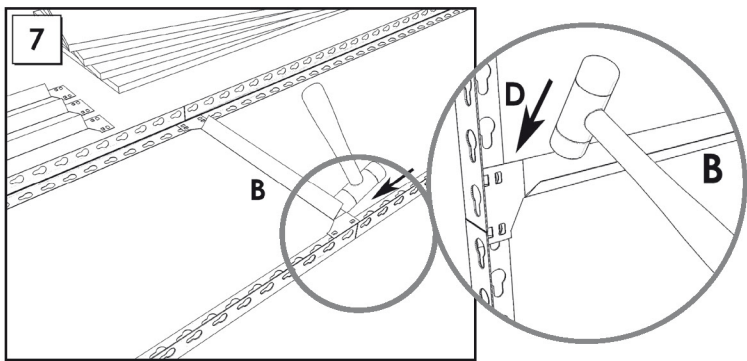
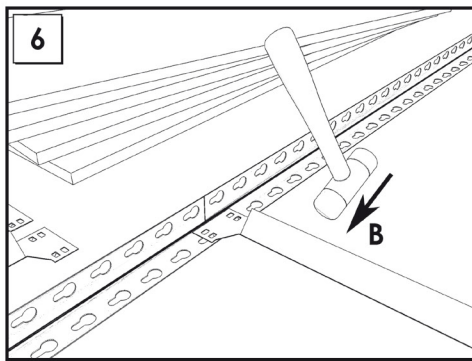
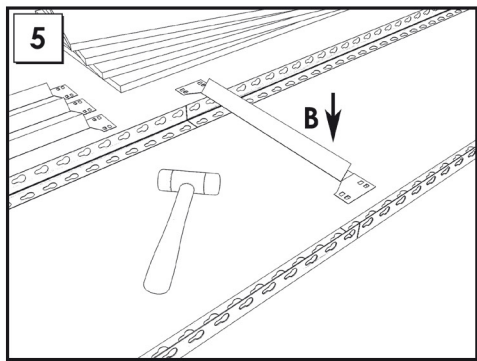
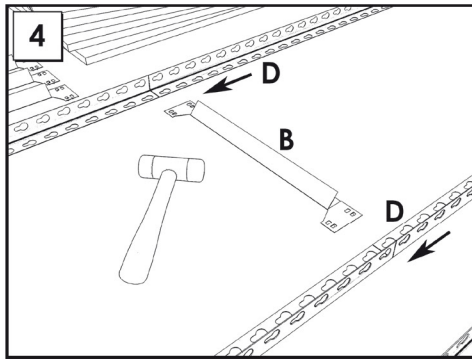
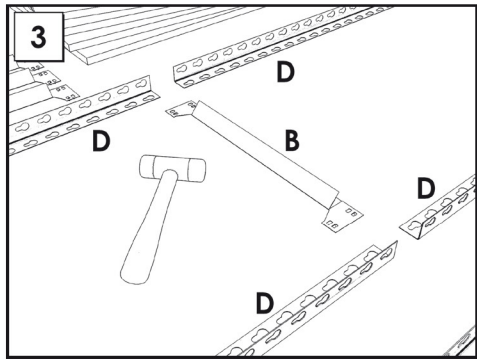
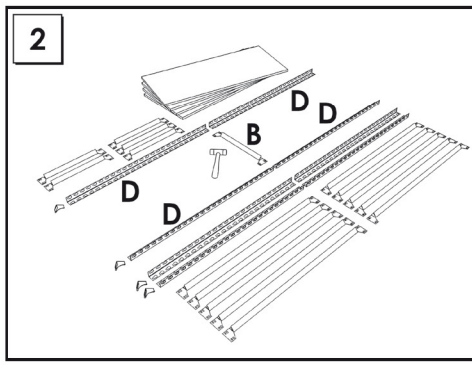
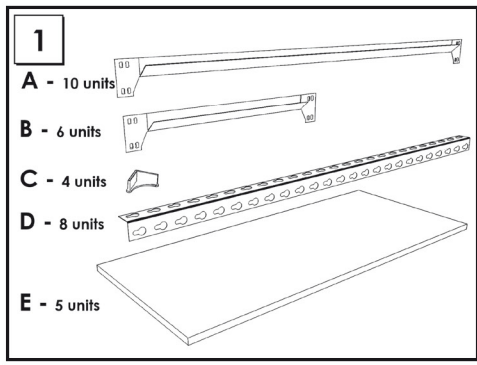
Simon
Rack
SINCE 1964 - MANUFACTURER



www.simonrack.com



INSTRUCTIONS

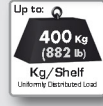


On-line instructions: www.instructionsrack.com/maderclick

SIMONCLASSIC



SIMONCLICK



SIMONOFFICE



SIMONTALLER



**BANCOS DE TRABAJO
WORK BENCHES**



SIMONHOME



**TAQUILLAS
LOCKER**



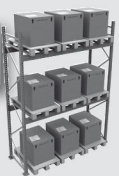
SIMONTITÁN



SIMONINOX



SIMONPALET



SIMONLEVER



**ALTILLOS Y PASILLOS ELEVADOS
PLATFORMS AND MEZZANINES**

