

# 200 x 110 x 50 cm\*

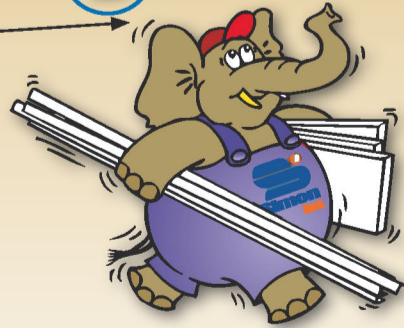
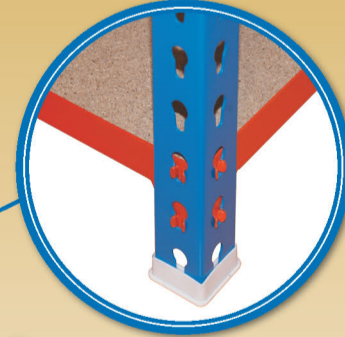
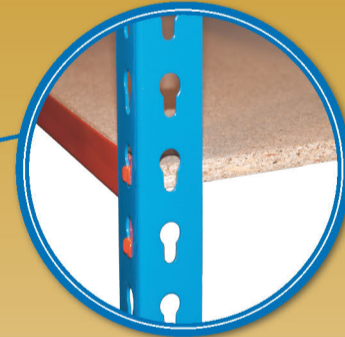
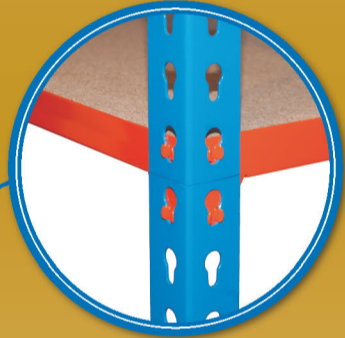
## 78.7" x 43.3" x 19.7"

### MADERCLICK SUPERPLUS 5/500

**5** years  
SIMONRACK  
GUARANTEE



**500 kg**  
**(1100 lb)**  
**Total**



\*MEDIDAS EN USO: 1979 x 1111 x 510 mm  
USED MEASUREMENTS: 77.91" x 43.74" x 20.08"



ESTANTERIAS SIMON S.L. B.50.556.463  
PG. ALFAMEN C/ POLIGONO C, Nº3  
ALFAMEN (ZARAGOZA)



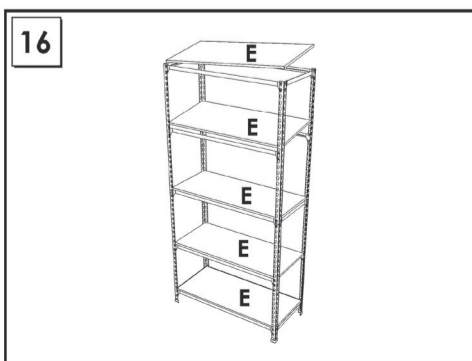
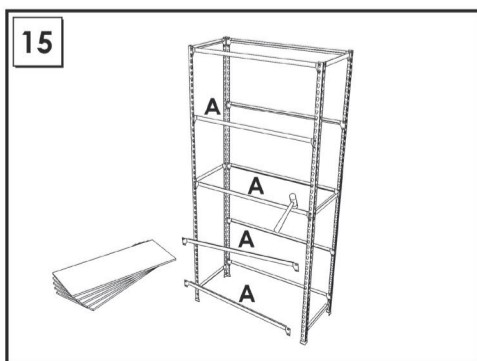
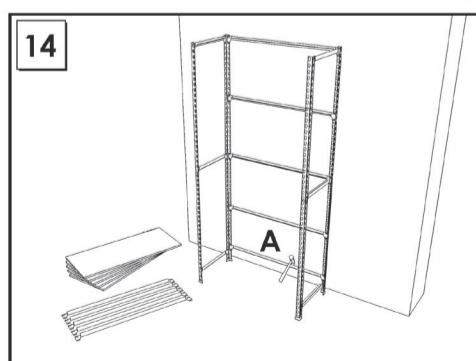
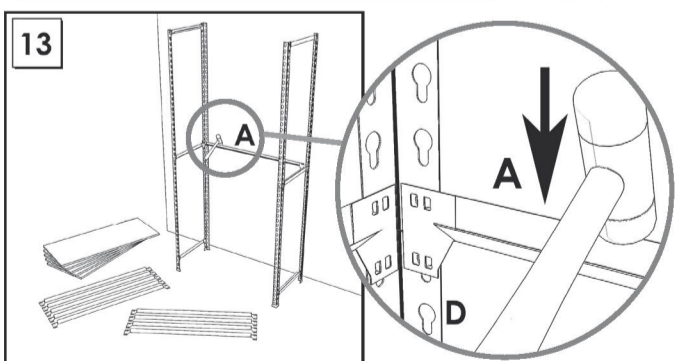
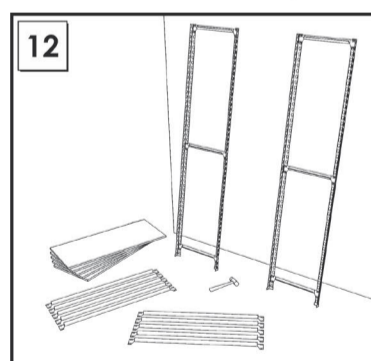
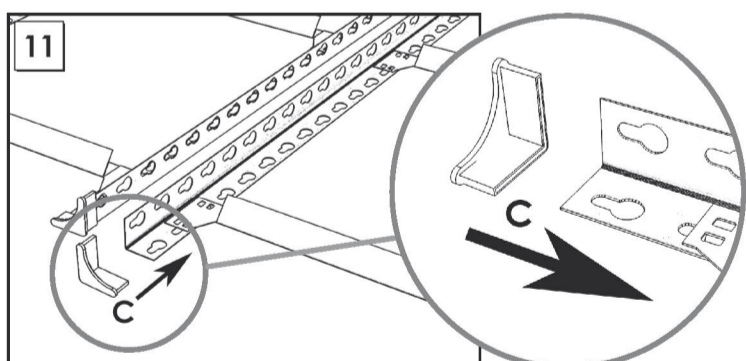
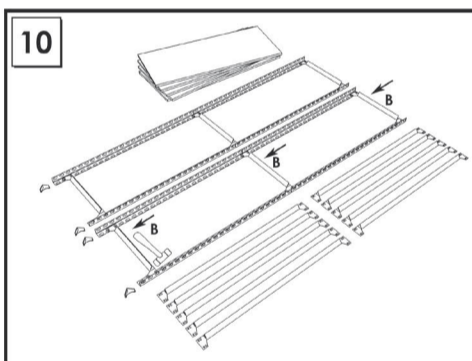
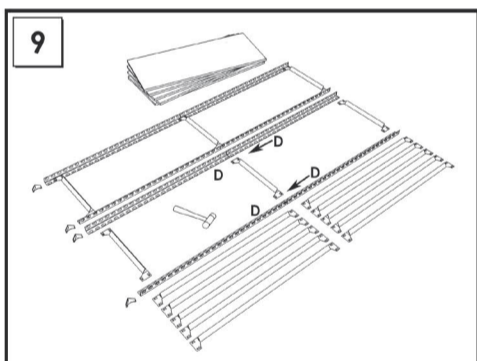
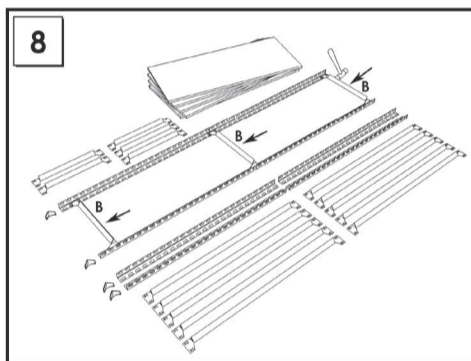
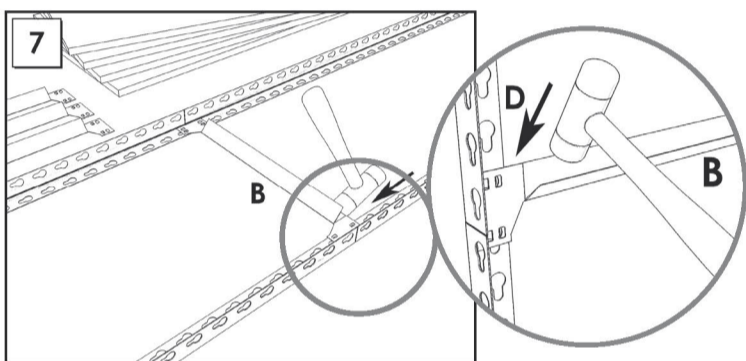
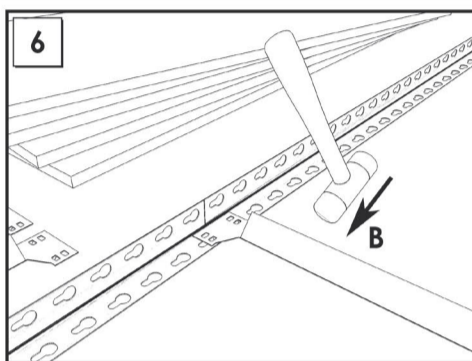
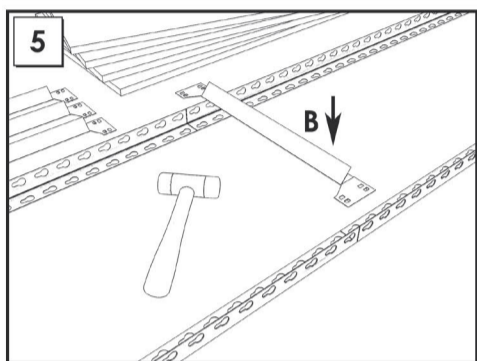
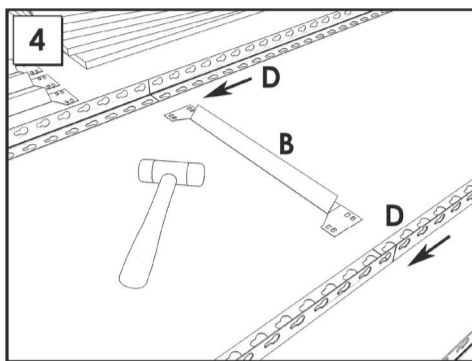
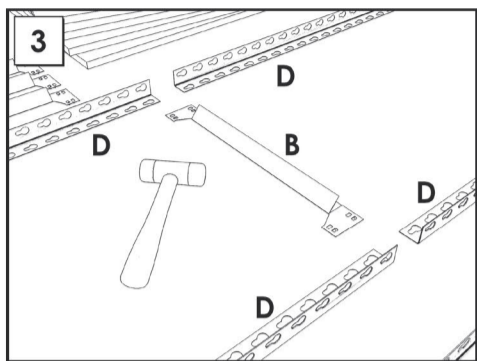
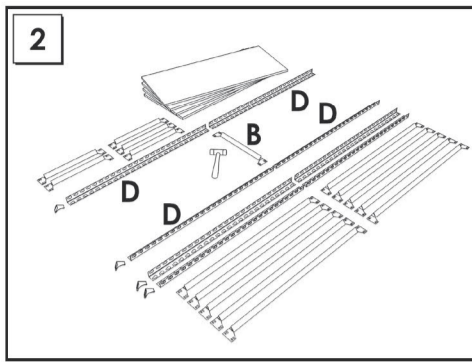
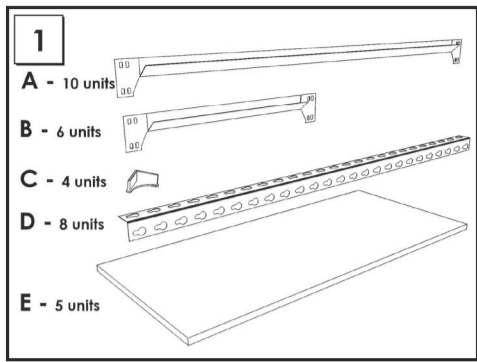
[www.simonrack.com](http://www.simonrack.com)



Management System  
ISO 9001:2008  
[www.tuv.com](http://www.tuv.com)  
ID 910504425

**INSTRUCTIONS**





On-line instructions: [www.instructionsrack.com/maderclick](http://www.instructionsrack.com/maderclick)

### SIMONCLASSIC



### SIMONCLICK



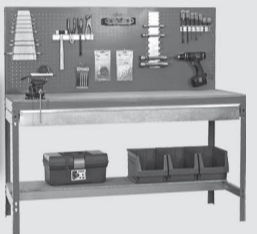
### SIMONOFFICE



### SIMONTALLER



### BANCOS DE TRABAJO WORK BENCHES



### SIMONHOME



### TAQUILLAS LOCKER



### SIMONTITÁN



### SIMONINOX



### SIMONPALET



### SIMONLEVER



### ALTILOS Y PASILLOS ELEVADOS PLATFORMS AND MEZZANINES

