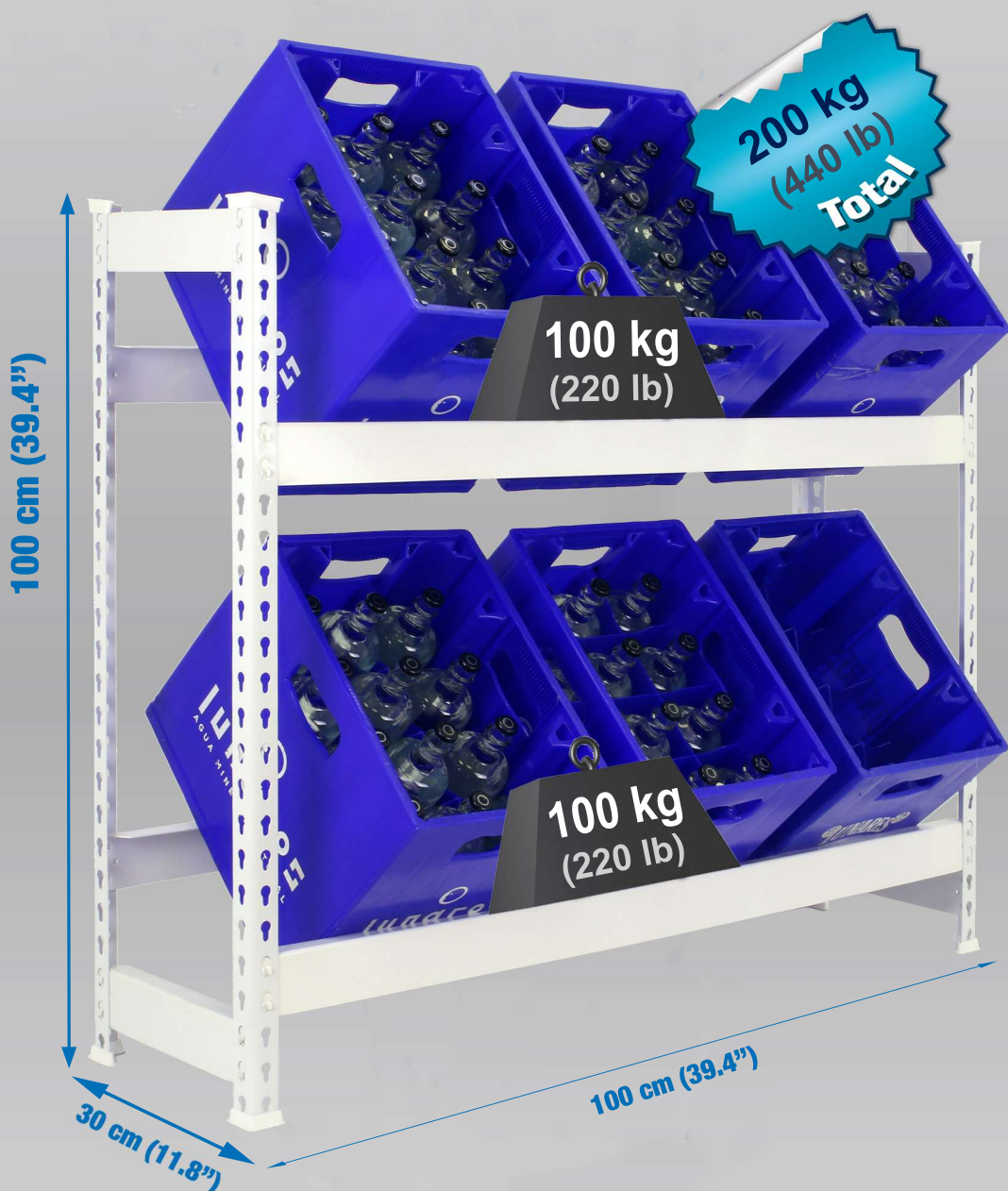


100 x 100 x 30 cm

39.4" x 39.4" x 11.8"

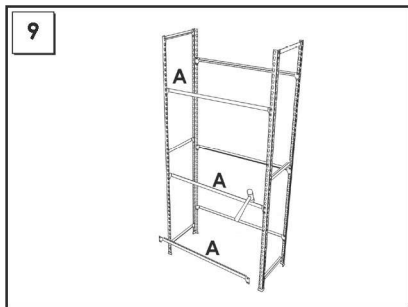
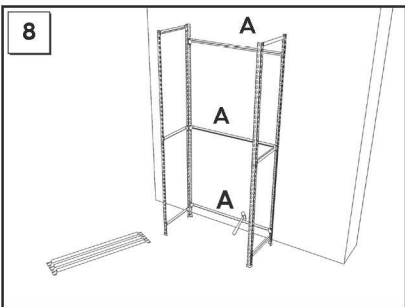
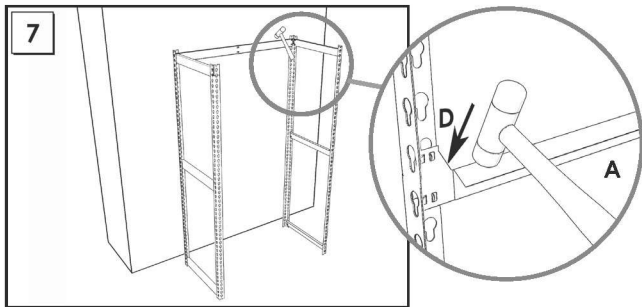
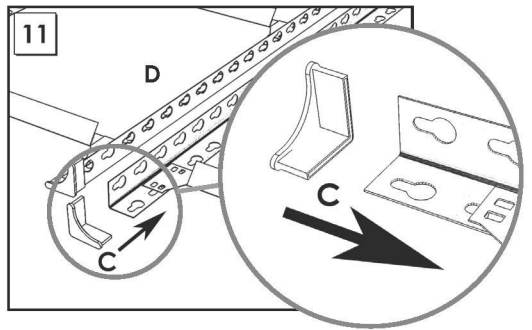
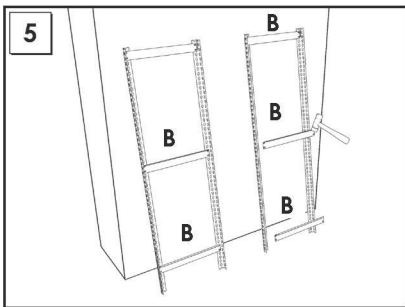
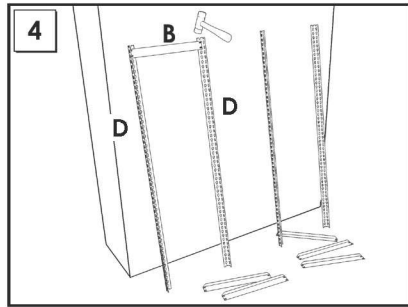
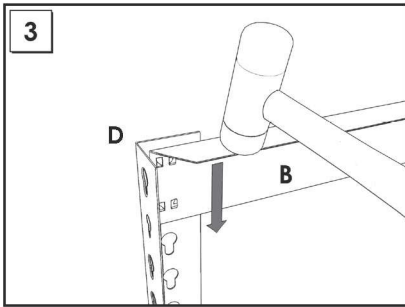
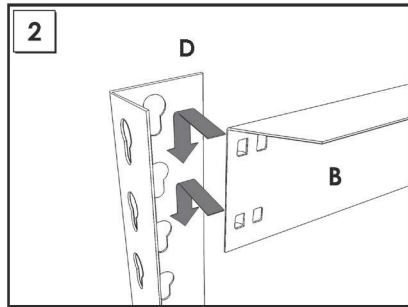
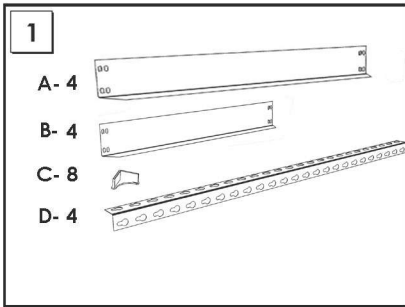
KIT SIMONBOTTLE 2























ESTANTERIAS SIMON S.L. B.50.556.463
PG. ALFAMEN C/ POLIGONO C, Nº3
ALFAMEN (ZARAGOZA)



INSTRUCCIONES
INSTRUCTIONS
ANLEITUNG
INSTRUCTIONS



www.simonrack.com • www.simonrack.com • www.simonrack.com • www.simonrack.com

SIMONCLASSIC	SIMONCLICK	SIMONTALLER	SIMONAUTO
  	  	  	  
SIMONWORK	SIMONLOCKER	SIMONOFFICE	SIMONHOME
  	  	  	  
SIMONGARDEN	SIMONTITAN	SIMONINOX	SIMONINDUSTRIAL
  	  	  	  <p>ALTILOS Y PASILLOS ELEVADOS • PLATFORMS AND MEZZANINES • LAGERBUHLEN • PLATES- FORMES ET MEZZANINES</p>

* Kg / lb por bandeja con carga uniformemente repartida • Kg / lb per shelf uniformly distributed load • Kg / lb pro fach bei gleichmäßig verteilter last • Kg / lb par plateau avec charge uniformément répartie