

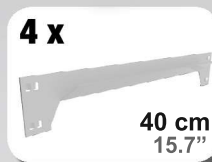
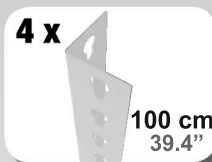
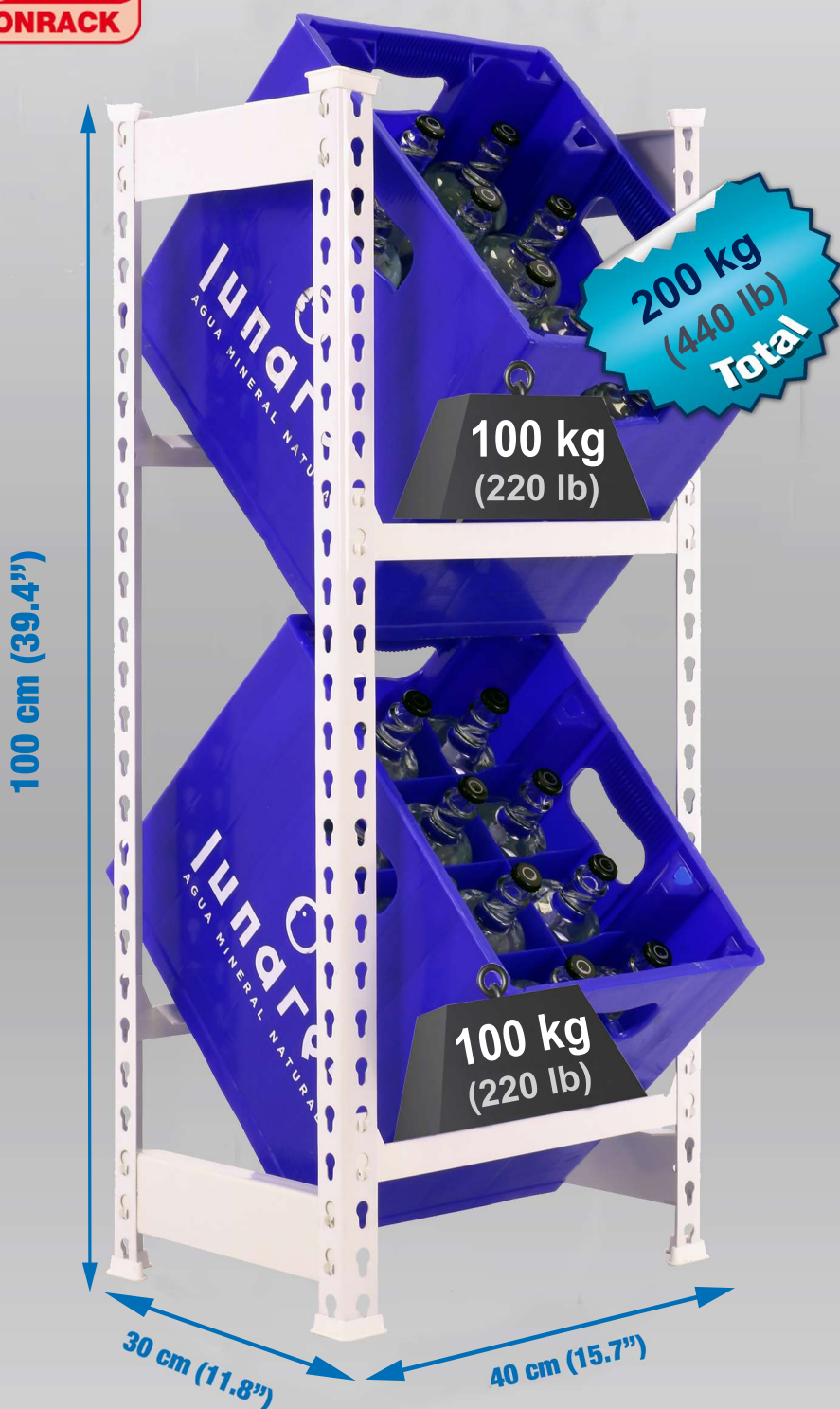
100 x 40 x 30 cm

39.4" x 15.7" x 11.8"

KIT SIMONBOTTLE 2



5 Años Garantía
Years Guarantee
Jahre Garantie
Ans Garantie
Anos de Garantia
SIMONRACK

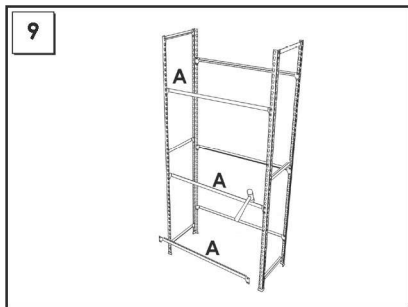
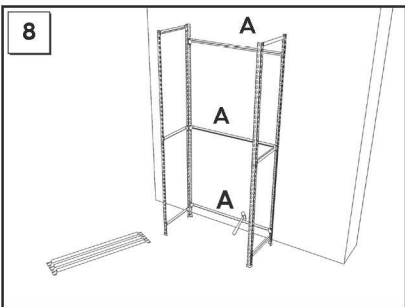
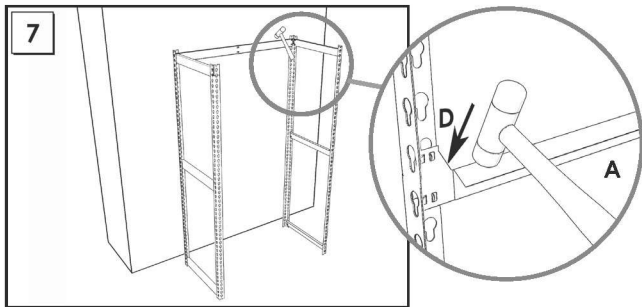
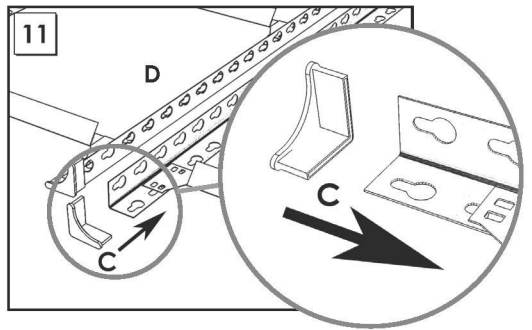
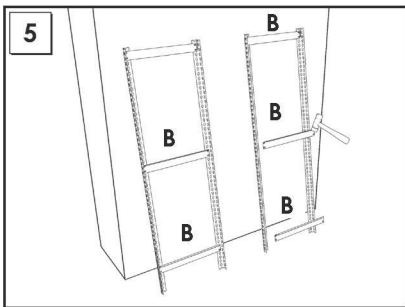
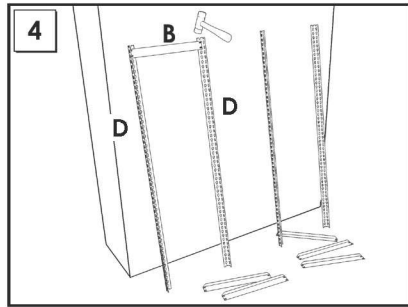
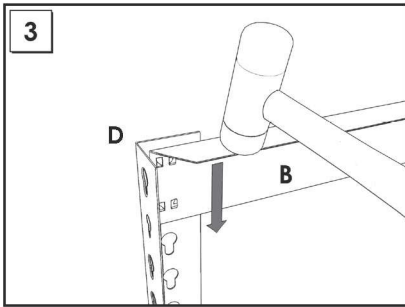
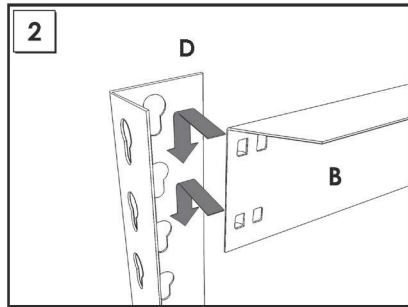
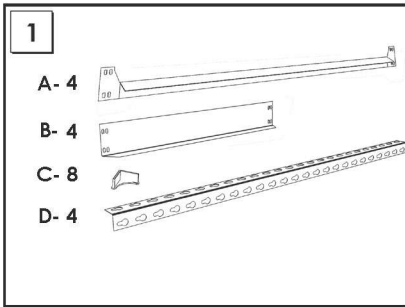


ESTANTERIAS SIMON S.L. B.50.556.463
PG. ALFAMEN C/ POLIGONO C, Nº3
ALFAMEN (ZARAGOZA)






















Simon
Rack
SINCE 1964 - MANUFACTURER
www.simonrack.com



INSTRUCCIONES
INSTRUCTIONS
ANLEITUNG
INSTRUCTIONS



www.simonrack.com • www.simonrack.com • www.simonrack.com • www.simonrack.com

SIMONCLASSIC	SIMONCLICK	SIMONTALLER	SIMONAUTO
 	 	 	 
 <p>150 kg 350 lb</p>	 <p>400 kg 900 lb</p>	 <p>700 kg 1550 lb</p>	 <p>300 kg 660 lb</p>
SIMONWORK	SIMONLOCKER	SIMONOFFICE	SIMONHOME
 	 	 	 
 <p>800 kg 1800 lb</p>		 <p>275 kg 600 lb</p>	 <p>150 kg 350 lb</p>
SIMONGARDEN	SIMONTITAN	SIMONINOX	SIMONINDUSTRIAL
 	 	 	 
 <p>600 kg 1350 lb</p>	 <p>900 kg 1990 lb</p>		 <p>4500 kg 9950 lb</p>

ALTILOS Y PASILLOS
ELEVADOS • PLATFORMS
AND MEZZANINES •
LAGERBUHLEN • PLATES-
FORMES ET MEZZANINES

