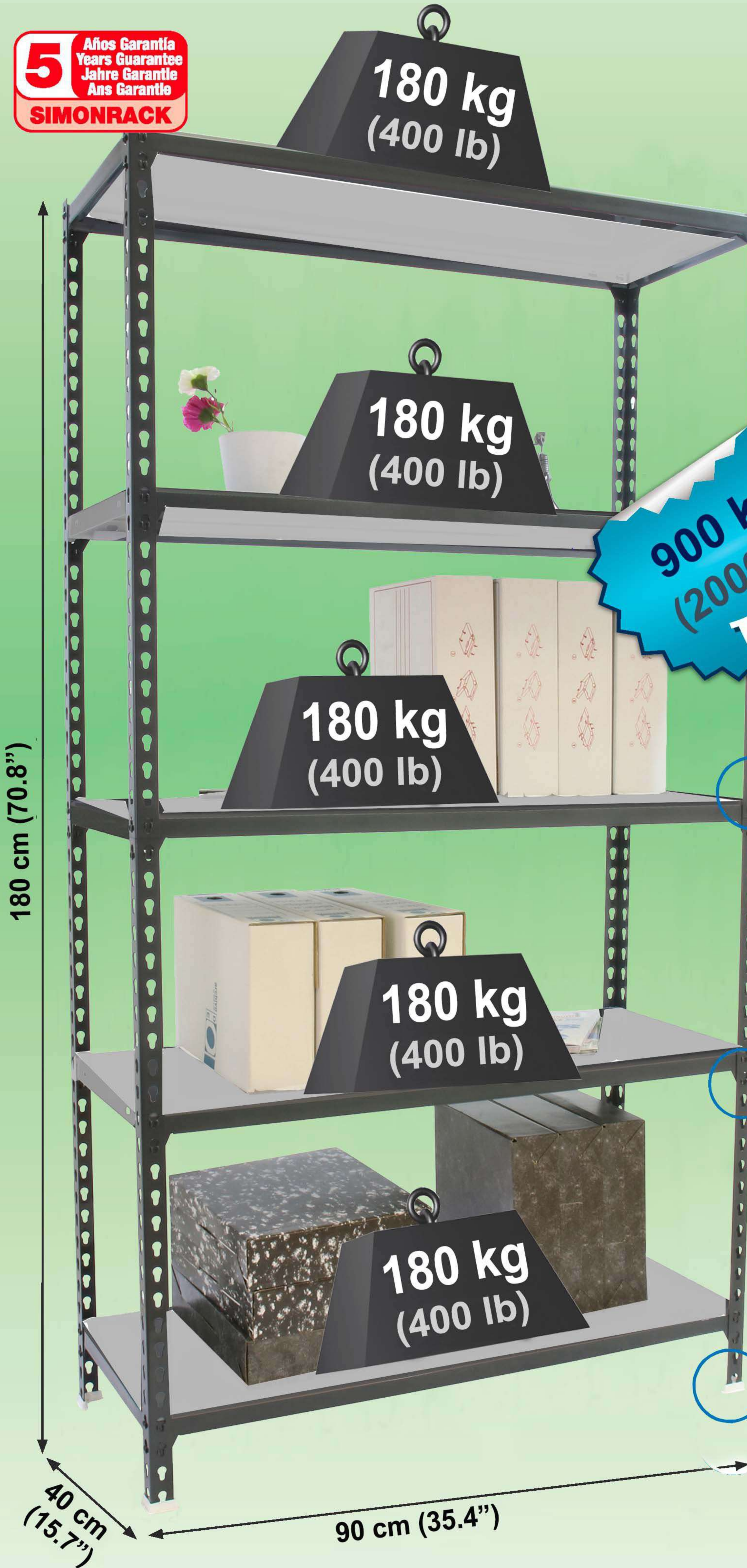


# 180 x 90 x 40 cm

## 70.8" x 35.4" x 15.7"

### SIMONCLICK 5/400

**5** Años Garantía  
Years Guarantee  
Jahre Garantie  
Ans Garantie  
**SIMONRACK**



**900 kg**  
**(2000 lb)**  
**Total**



\*MEDIDAS EN USO USED MEASUREMENTS  
MASSNAHMEN IM EINSATZ MESURES EN EMPLOI MEDIDAS EM USO:  
1749 x 910 x 410 mm (68.8" x 35.8" x 16.1")



ESTANTERIAS SIMON S.L. B.50.556.463  
PG. ALFAMEN C/ POLIGONO C, N°3  
ALFAMEN (ZARAGOZA)



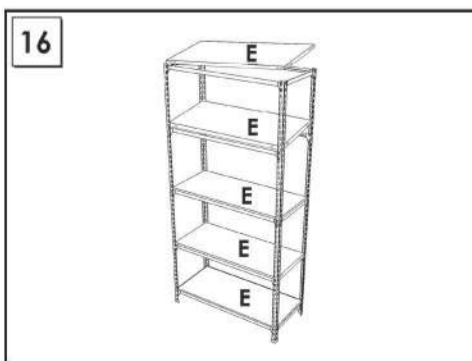
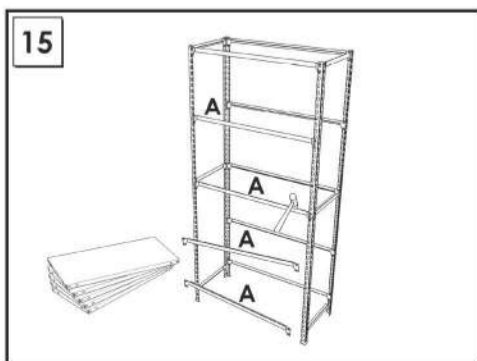
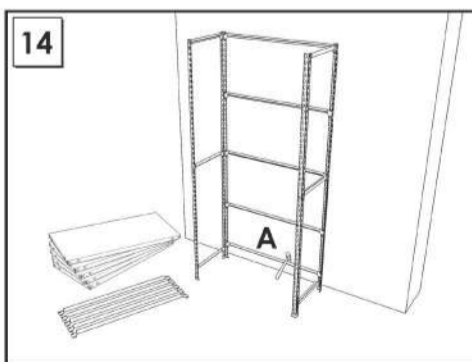
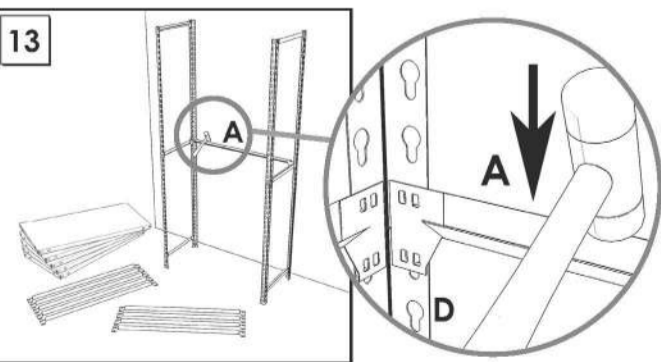
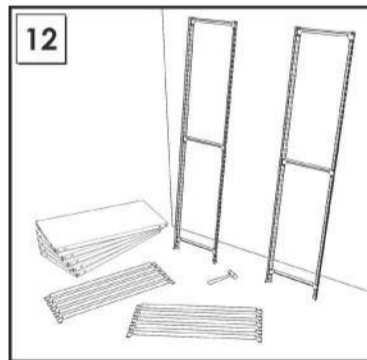
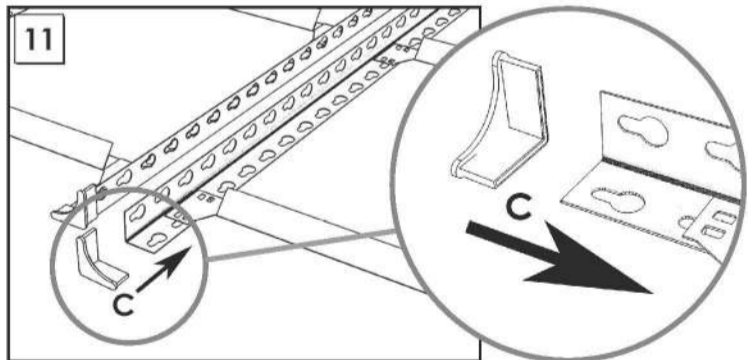
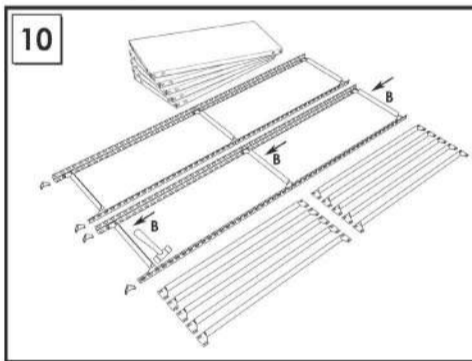
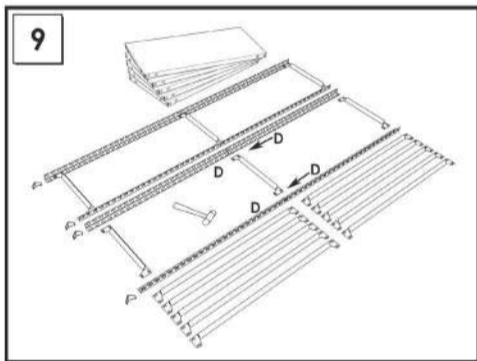
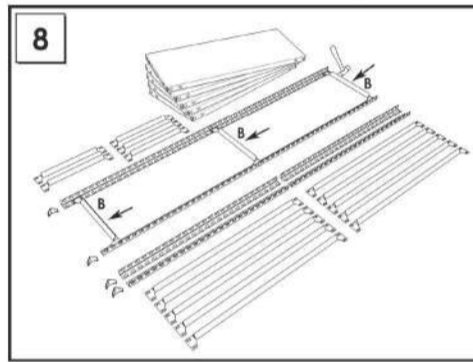
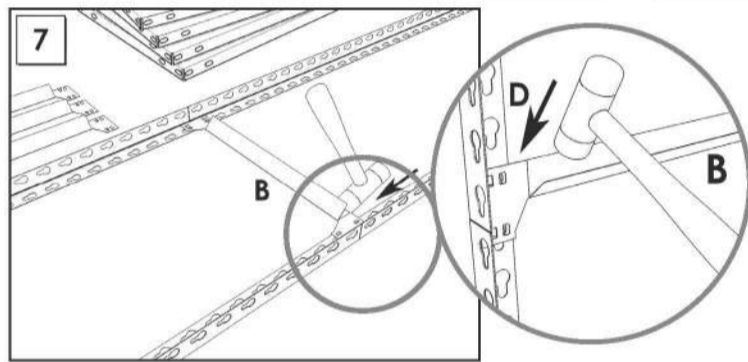
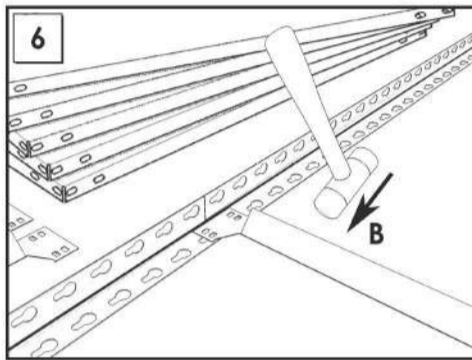
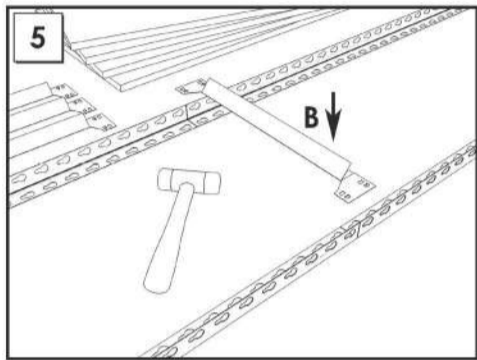
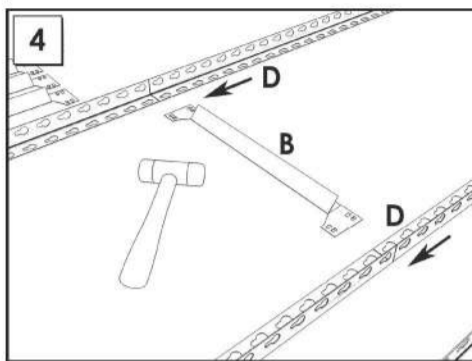
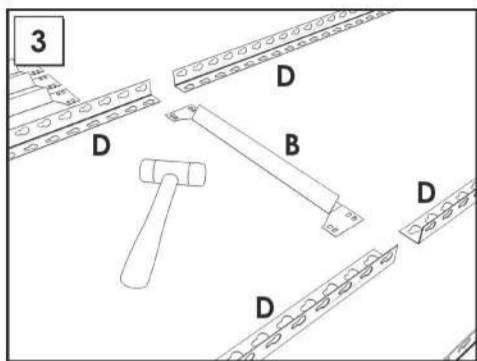
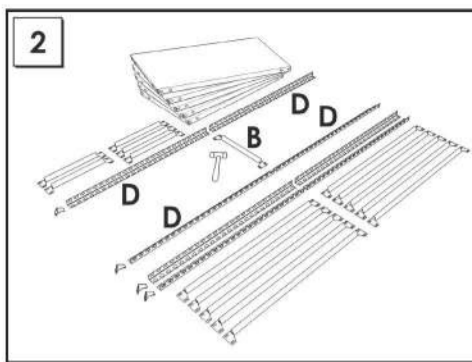
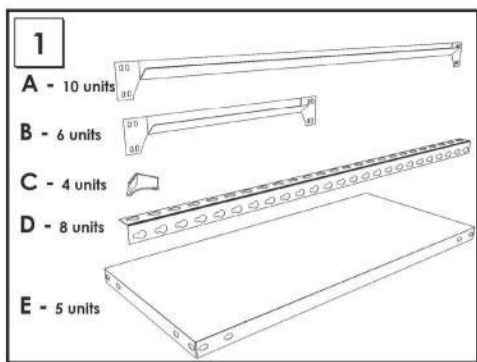
**Simon**  
**Rack**  
SINCE 1964 - MANUFACTURER



[www.simonrack.com](http://www.simonrack.com)



INSTRUCTIONS



On-line instructions: [www.instructionsrack.com/simonclick](http://www.instructionsrack.com/simonclick)

www.simonrack.com • www.instructionsrack.com • www.simonclick.com • www.simonoffice.com • www.simontaller.com • www.bancosdetrabajoworkbenches.com • www.simonhome.com • www.taquillaslocker.com • www.simontitan.com • www.simoninox.com • www.simonpalet.com • www.simonlever.com • www.altillosypasilloselevadosplatformsandmezzanines.com

**SIMONCLASSIC**



**SIMONCLICK**



**SIMONOFFICE**



**SIMONTALLER**



**BANCOS DE TRABAJO WORK BENCHES**



**SIMONHOME**



**TAQUILLAS LOCKER**



**SIMONTITÁN**



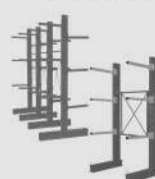
**SIMONINOX**



**SIMONPALET**



**SIMONLEVER**



**ALTILLOS Y PASILLOS ELEVADOS PLATFORMS AND MEZZANINES**

