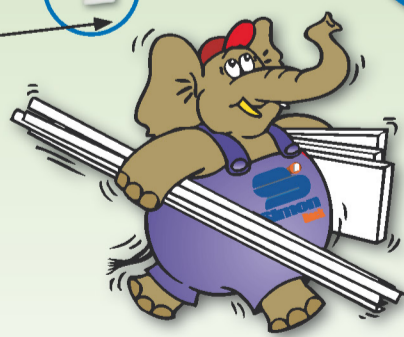
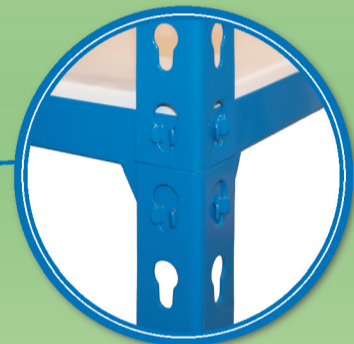
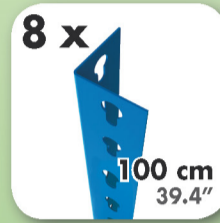


200 x 100 x 30 cm*

78.7" x 39.4" x 11.8"

SIMONCLICK PLUS 5/300

5 years
SIMONRACK
GUARANTEE



*MEDIDAS EN USO: 1979 x 1011 x 310 mm
USED MEASUREMENTS: 77.91" x 39.80" x 12.21"



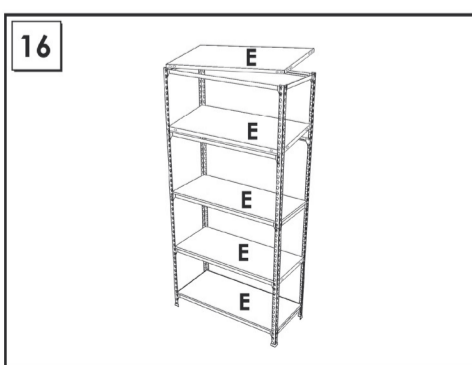
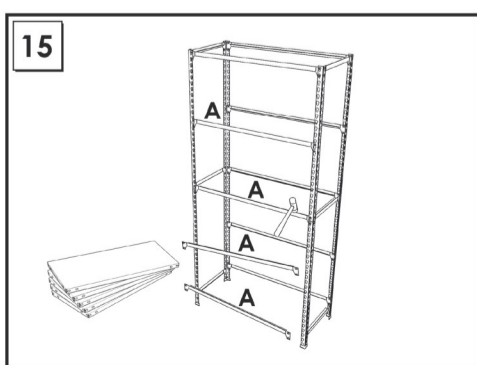
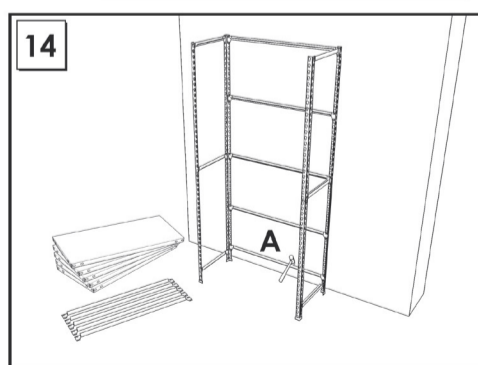
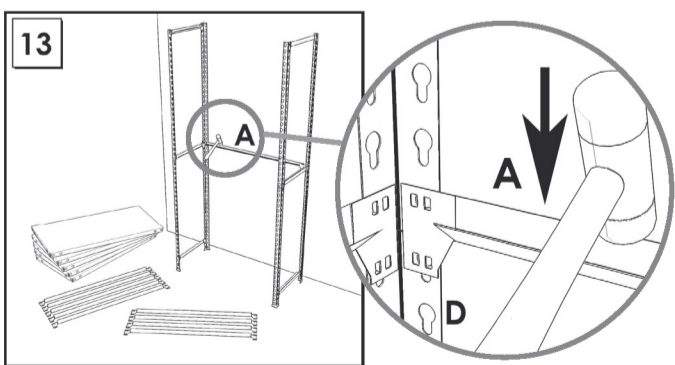
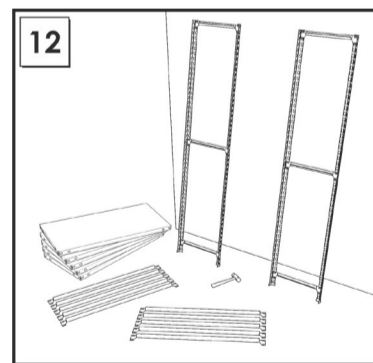
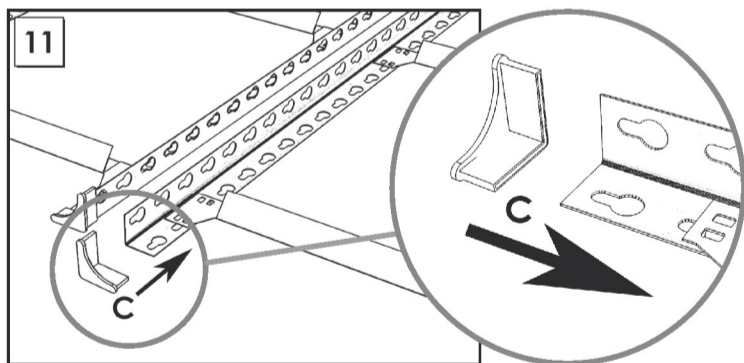
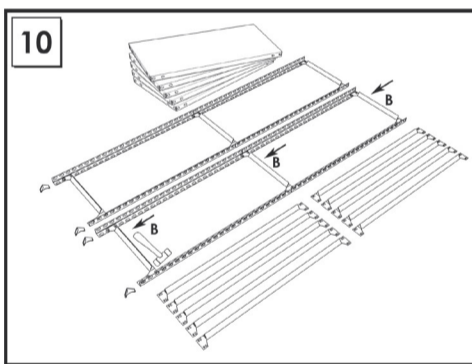
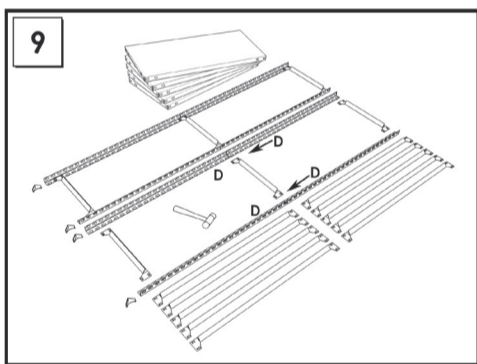
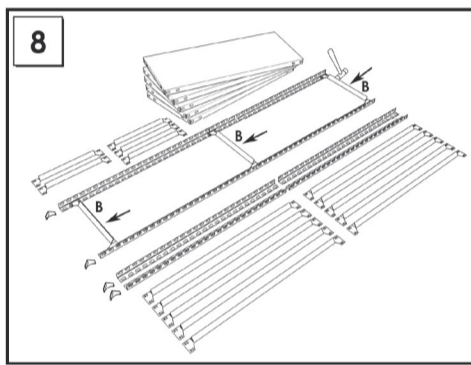
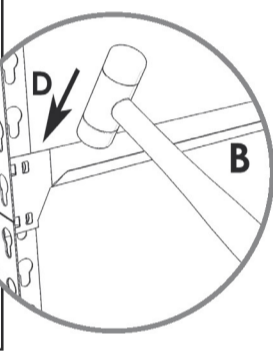
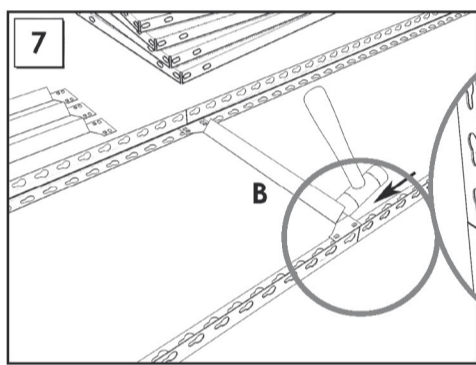
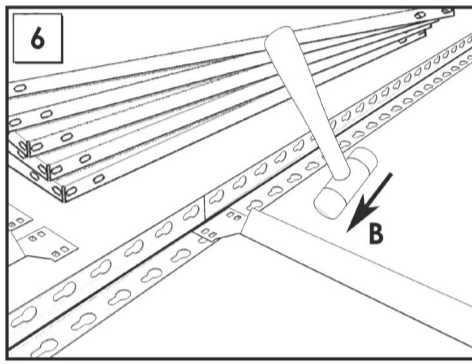
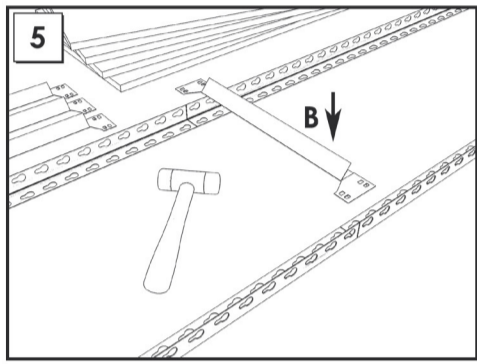
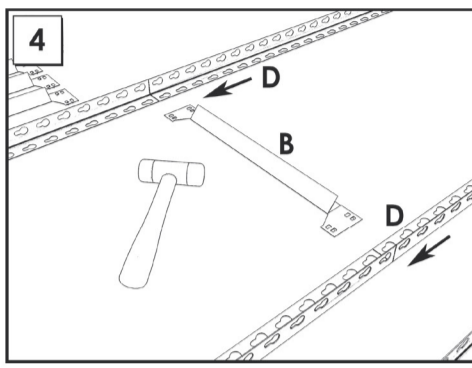
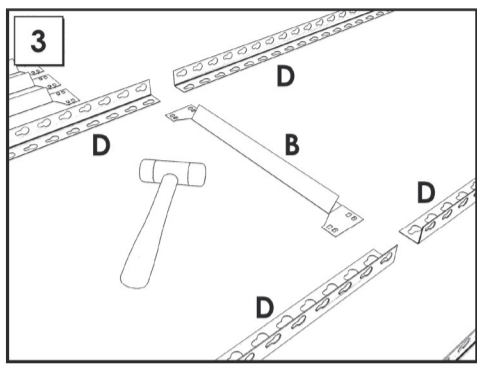
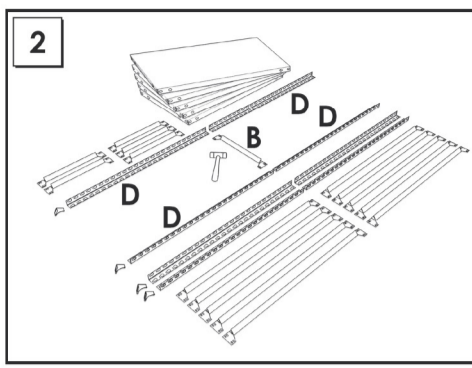
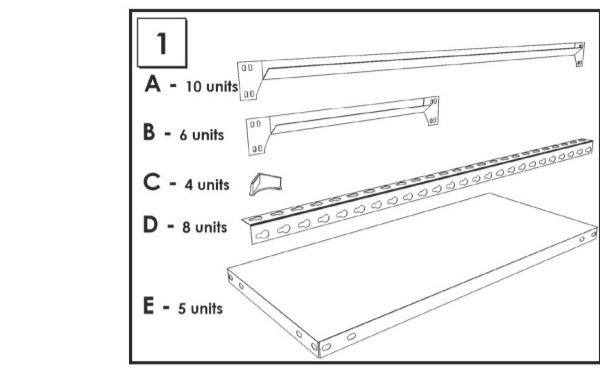
ESTANTERIAS SIMON S.L. B.50.556.463
PG. ALFAMEN C/ POLIGONO C, N°3
ALFAMEN (ZARAGOZA)



www.simonrack.com



INSTRUCTIONS



On-line instructions: www.instructionsrack.com/simonclick

SIMONCLASSIC



SIMONCLICK



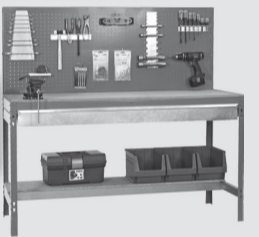
SIMONOFFICE



SIMONTALLER



**BANCOS DE TRABAJO
WORK BENCHES**



SIMONHOME



**TAQUILLAS
LOCKER**



SIMONTITÁN



SIMONINOX



SIMONPALET



SIMONLEVER



**ALTILLOS Y PASILLOS ELEVADOS
PLATFORMS AND MEZZANINES**

