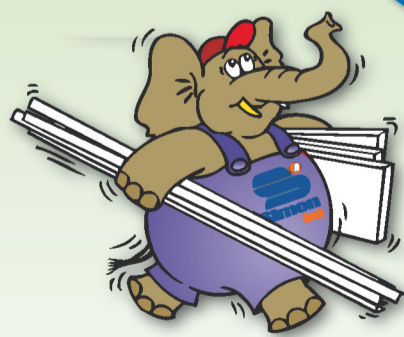
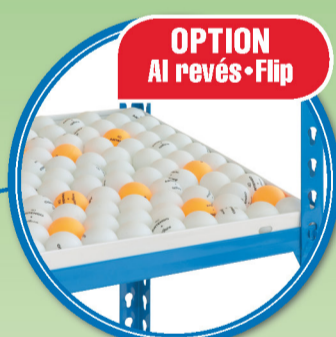


# 200 x 110 x 50 cm\*

## 78.7" x 43.3" x 19.7"

### SIMONCLICK SUPERPLUS 5/500

**5** years  
SIMONRACK  
GUARANTEE



\*MEDIDAS EN USO: 1979 x 1111 x 510 mm  
USED MEASUREMENTS: 77.91" x 43.74" x 20.08"



ESTANTERIAS SIMON S.L. B.50.556.463  
PG. ALFAMEN C/ POLIGONO C, Nº3  
ALFAMEN (ZARAGOZA)

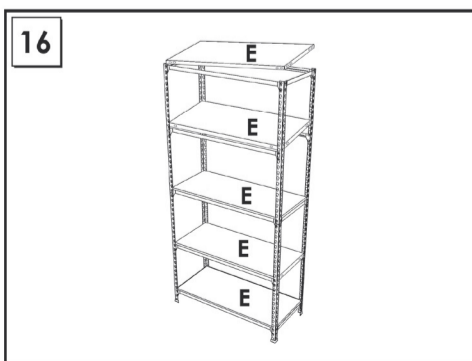
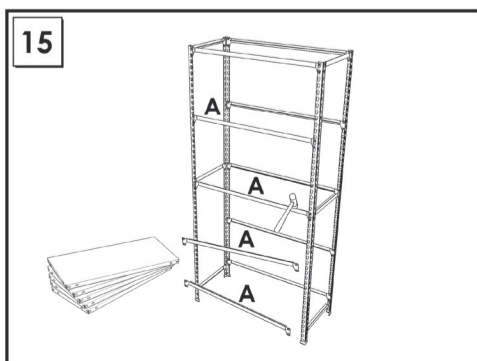
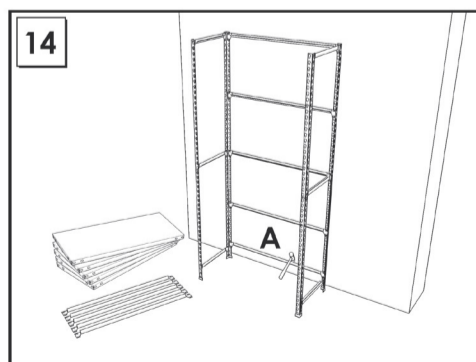
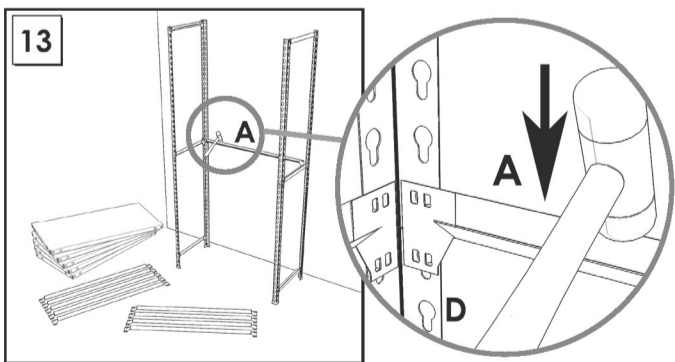
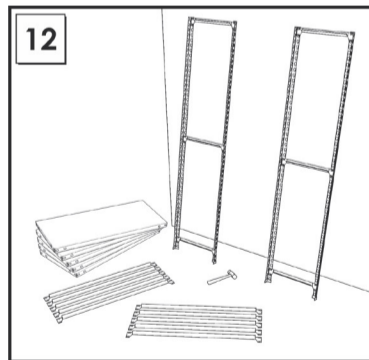
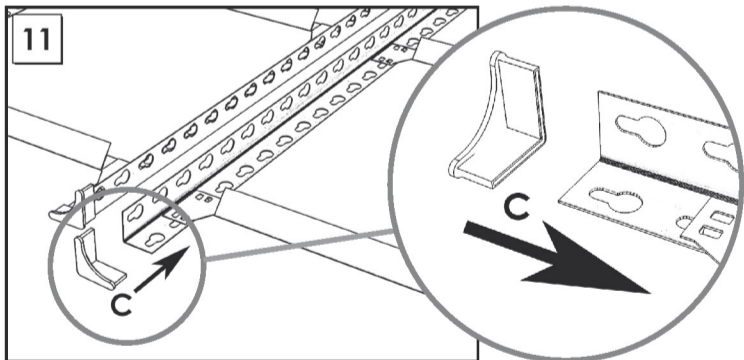
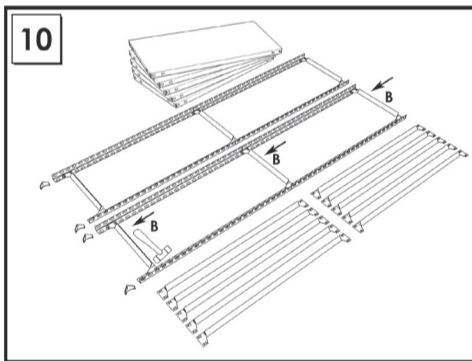
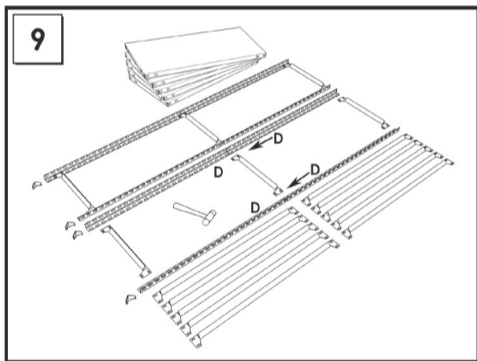
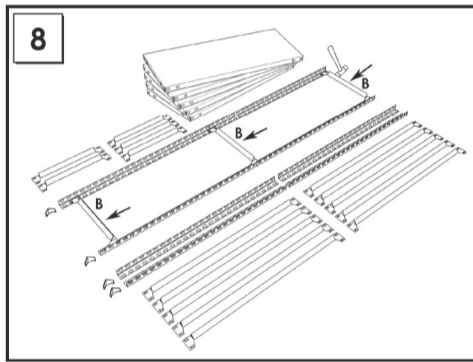
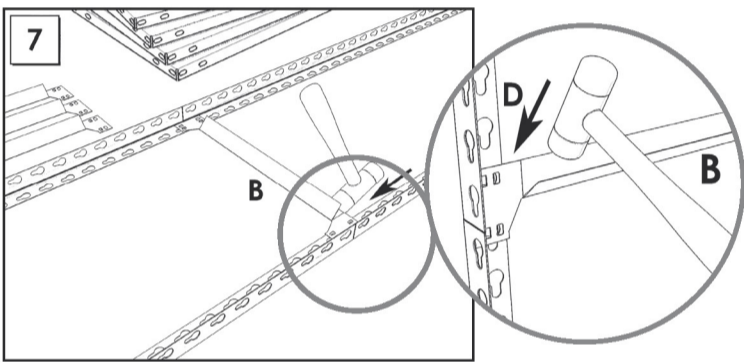
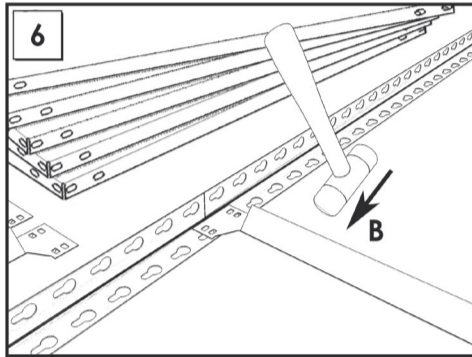
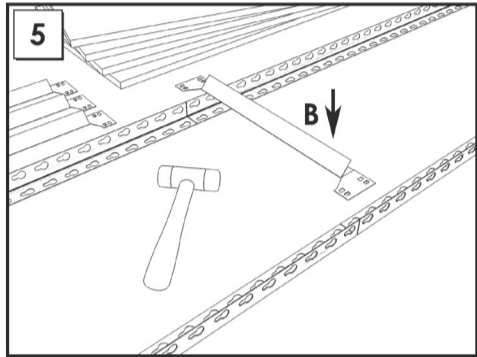
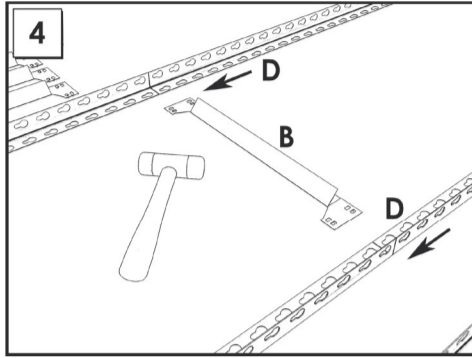
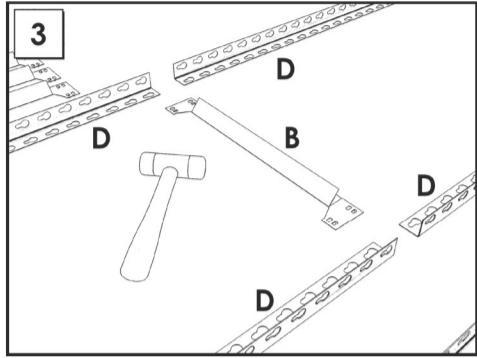
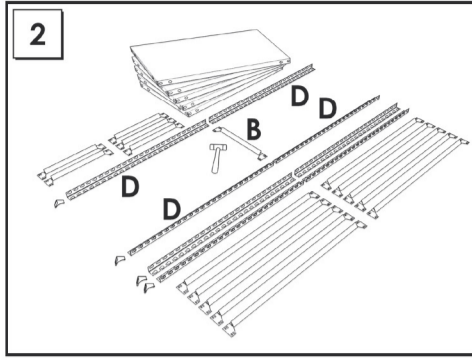
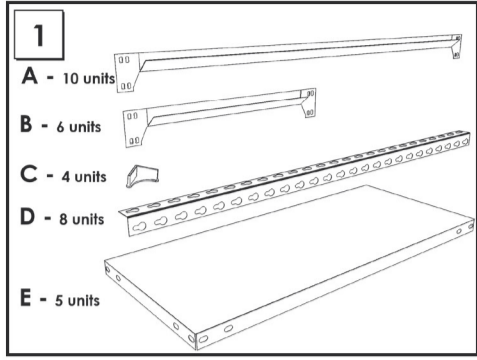


[www.simonrack.com](http://www.simonrack.com)



INSTRUCTIONS





On-line instructions: [www.instructionsrack.com/simonclick](http://www.instructionsrack.com/simonclick)

[www.simonrack.com](http://www.simonrack.com) • [www.simonrack.com](http://www.simonrack.com) • [www.simonrack.com](http://www.simonrack.com) • [www.simonrack.com](http://www.simonrack.com) • [www.simonrack.com](http://www.simonrack.com)

**SIMONCLASSIC**

**BOLTS SYSTEM**  
Up to: **150 Kg (331 lb)**  
Kg/Shelf  
Uniformly Distributed Load



**SIMONCLICK**

**NO BOLTS SYSTEM**  
Up to: **400 Kg (882 lb)**  
Kg/Shelf  
Uniformly Distributed Load



**SIMONOFFICE**

**NO BOLTS SYSTEM**  
Up to: **275 Kg (606 lb)**  
Kg/Shelf  
Uniformly Distributed Load



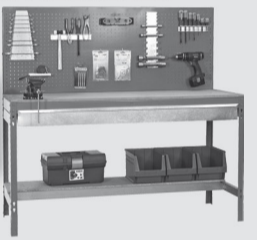
**SIMONTALLER**

**NO BOLTS SYSTEM**  
Up to: **700 Kg (1543 lb)**  
Kg/Shelf  
Uniformly Distributed Load



**BANCOS DE TRABAJO  
WORK BENCHES**

Up to: **800 Kg (1764 lb)**  
Kg/Shelf  
Uniformly Distributed Load



**SIMONHOME**

Up to: **150 Kg (331 lb)**  
Kg/Shelf  
Uniformly Distributed Load



**TAQUILLAS  
LOCKER**



**SIMONTITÁN**

**NO BOLTS SYSTEM**  
Up to: **900 Kg (1984 lb)**  
Kg/Shelf  
Uniformly Distributed Load



**SIMONINOX**

**NO BOLTS SYSTEM**



**SIMONPALET**

Up to: **4500 Kg (9923 lb)**  
Kg/Shelf  
Uniformly Distributed Load



**SIMONLEVER**



**ALTILOS Y PASILLOS ELEVADOS  
PLATFORMS AND MEZZANINES**

