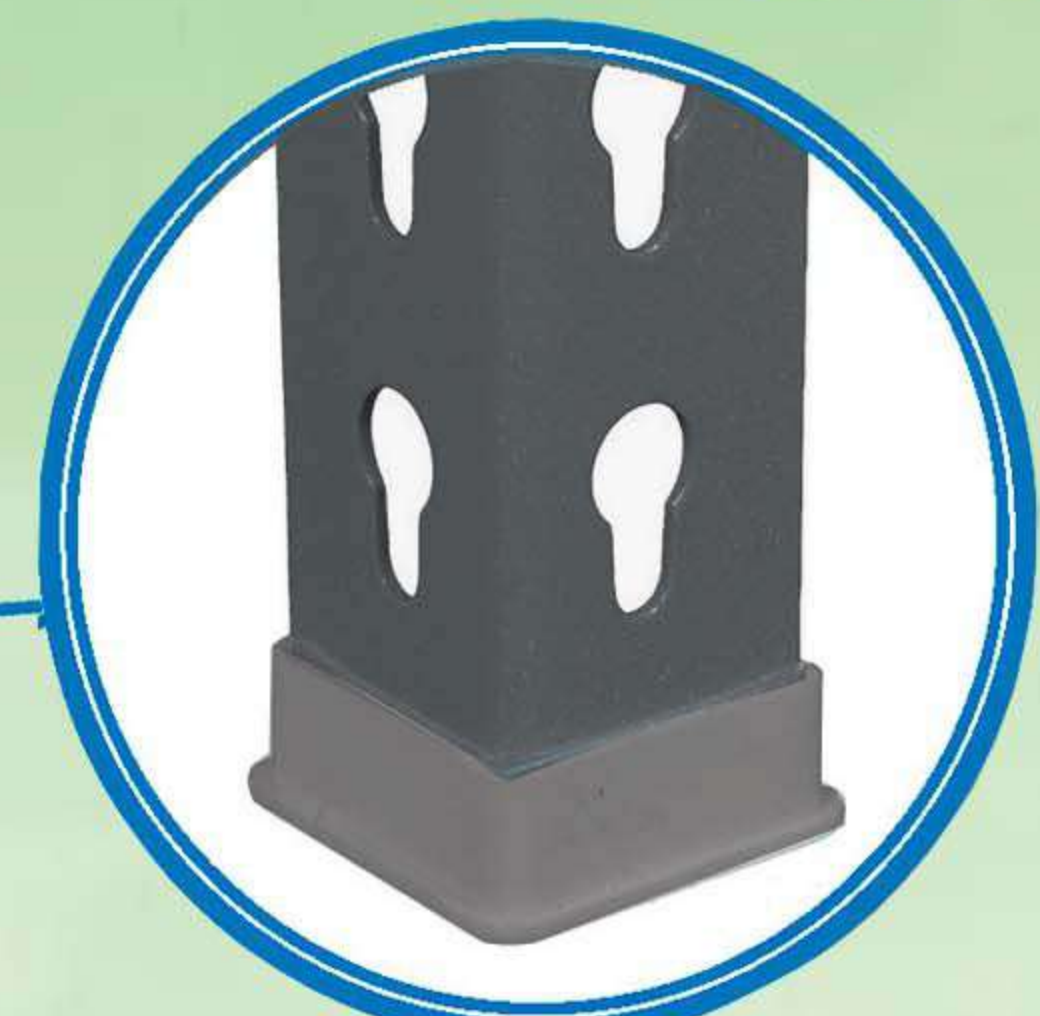


150 x 100 x 50 cm

59.1" x 39.3" x 19.6"

SIMONCLICK PLUS 4/500

5 Años Garantía
Years Guarantee
Jahre Garantie
Ans Garantie
Anos de Garantía
SIMONRACK



*MEDIDAS EN USO USED MEASUREMENTS
MASSNAHMEN IM EINSATZ MESURES EN EMPLOI MEDIDAS EN USO:
1485 x 1010 x 510 mm (58.4" x 39.7" x 20.1")



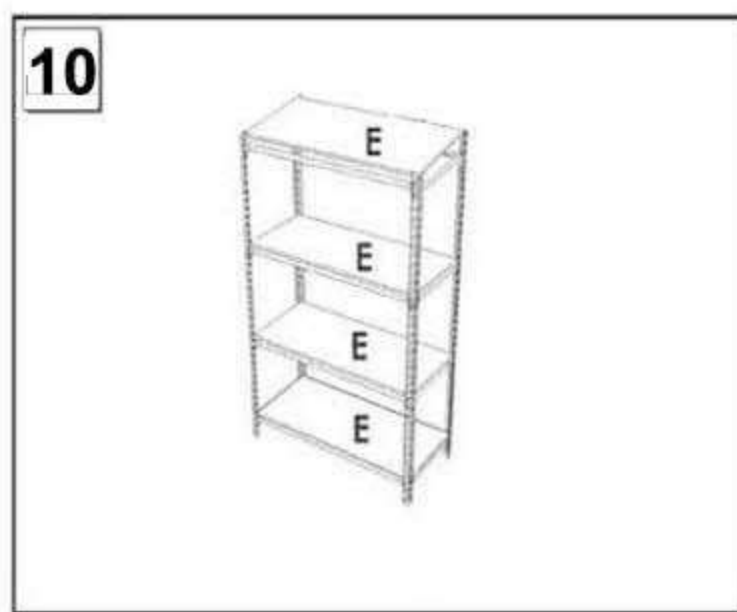
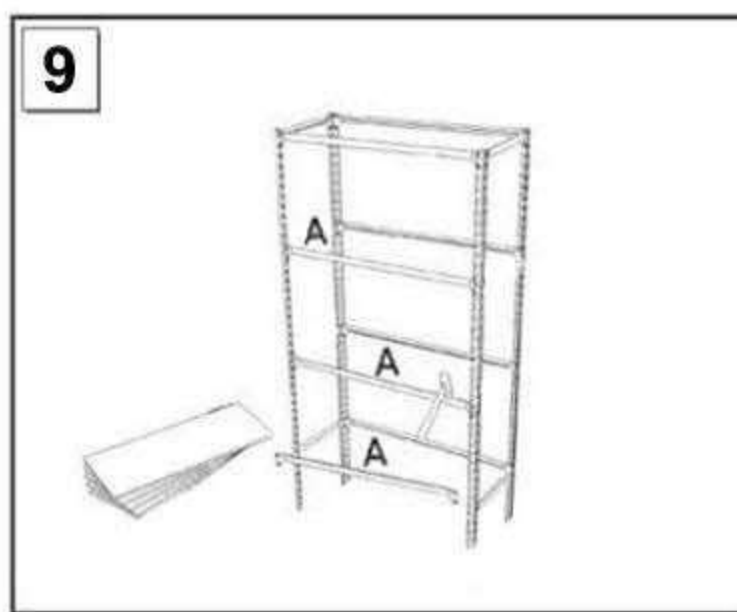
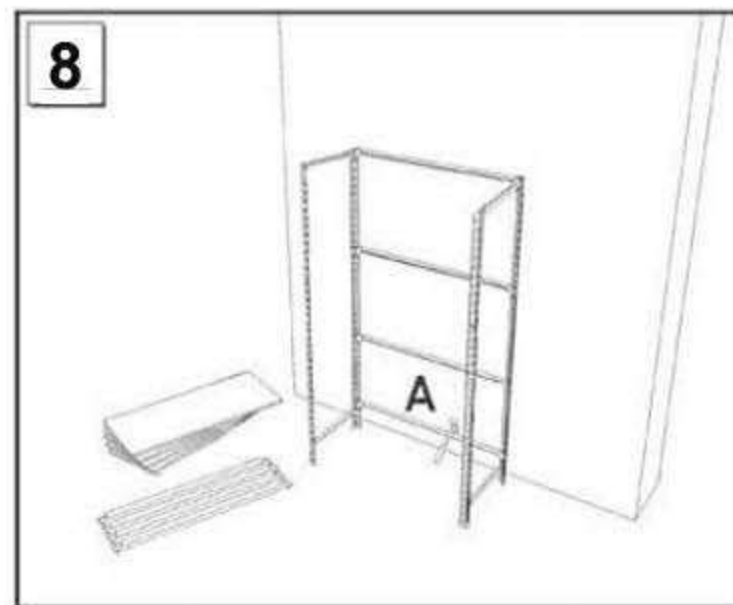
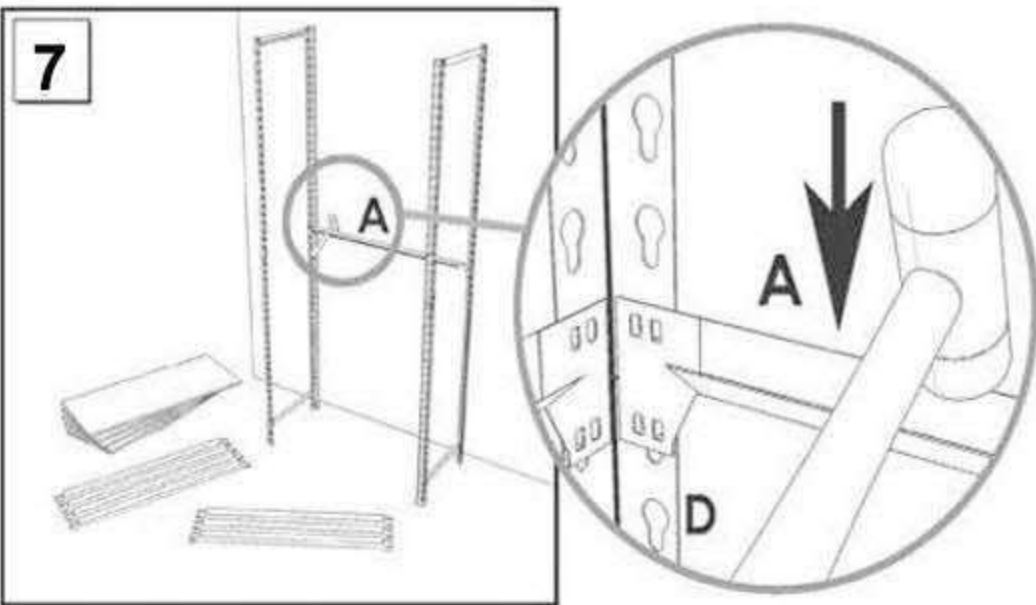
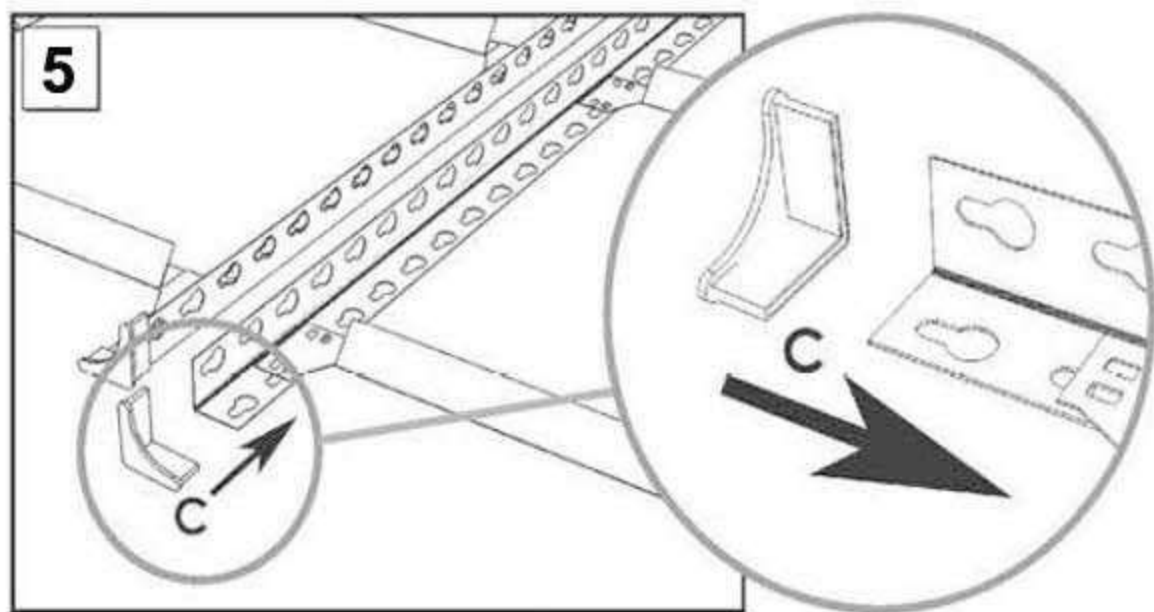
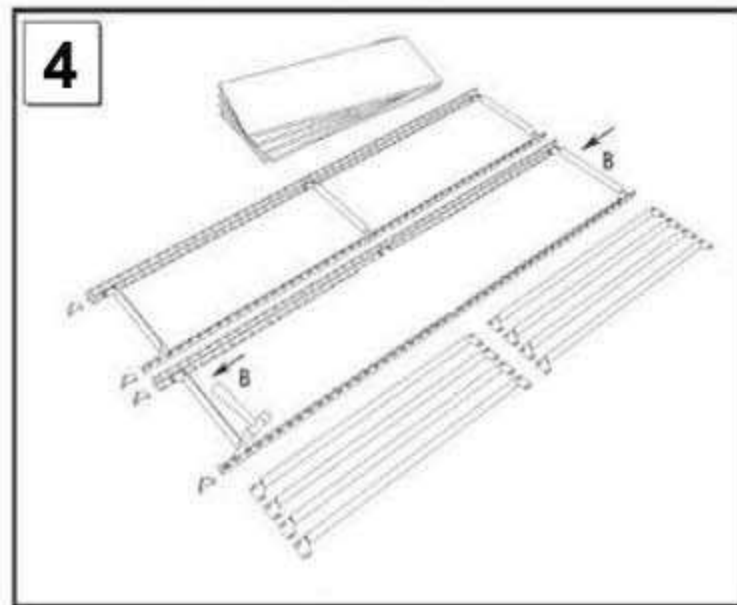
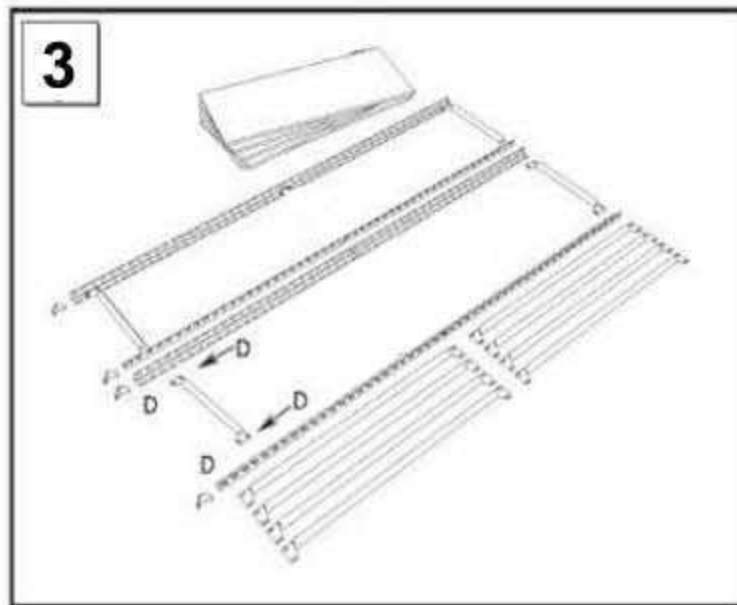
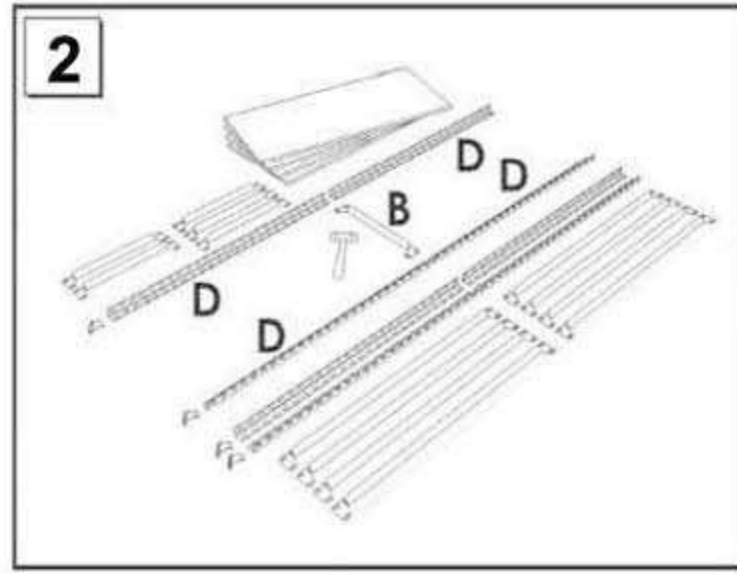
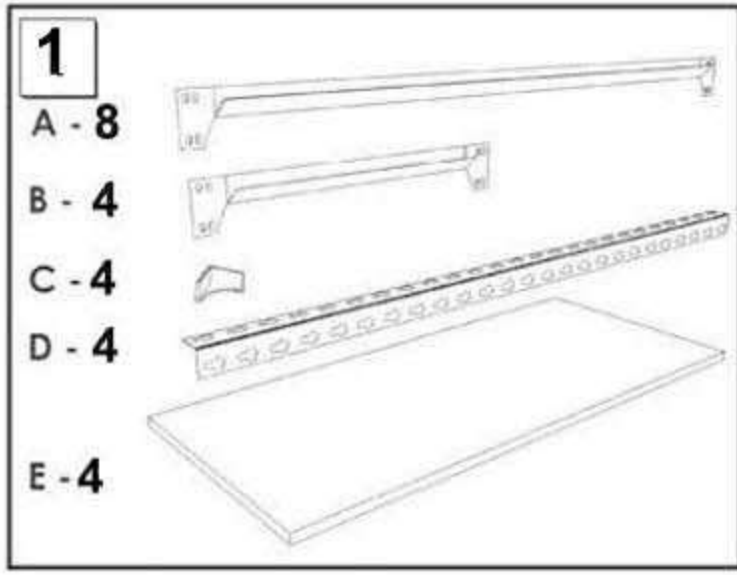
**Simon
Rack**
SINCE 1964 - MANUFACTURER



www.simonrack.com



INSTRUCTIONS



www.simonrack.com • www.instructionsrack.com • www.maderclick.com

SIMONCLASSIC

BOLTS SYSTEM



Up to
150 kg
(331 lb)
Kg/Shelf
(without distributed load)



SIMONCLICK

NO BOLTS SYSTEM



Up to
400 kg
(882 lb)
Kg/Shelf
(without distributed load)



SIMONOFFICE

NO BOLTS SYSTEM



Up to
275 kg
(606 lb)
Kg/Shelf
(without distributed load)



SIMONTALLER

NO BOLTS SYSTEM



Up to
700 kg
(1543 lb)
Kg/Shelf
(without distributed load)



BANCOS DE TRABAJO WORK BENCHES

Up to
800 kg
(1764 lb)
Kg/Shelf
(without distributed load)



SIMONHOME

Up to
150 kg
(331 lb)
Kg/Shelf
(without distributed load)



TAQUILLAS LOCKER



SIMONTITÁN

NO BOLTS SYSTEM



Up to
900 kg
(1984 lb)
Kg/Shelf
(without distributed load)



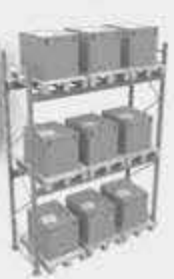
SIMONINOX

NO BOLTS SYSTEM




SIMONPALET

Up to
4500 kg
(9921 lb)
Kg/Shelf
(without distributed load)



SIMONLEVER



ALTILLOS Y PASILLOS ELEVADOS PLATFORMS AND MEZZANINES

