

90 x 100 x 50 cm

35.4" x 39.3" x 19.6"

SIMONCLICK PLUS 3/500

5 Años Garantía
Years Guarantee
Jahre Garantie
Ans Garantie
Anos de Garantia

SIMONRACK



*MEDIDAS EN USO USED MEASUREMENTS
MASSNAHMEN IM EINSATZ MESURES EN EMPLOI MEDIDAS EM USO:
877 x 1010 x 510 mm (34.5" x 39.7" x 20.1")



ESTANTERIAS SIMON S.L. B.50.556.463
PG. ALFAMEN C/ POLIGONO C, N°3
ALFAMEN (ZARAGOZA)



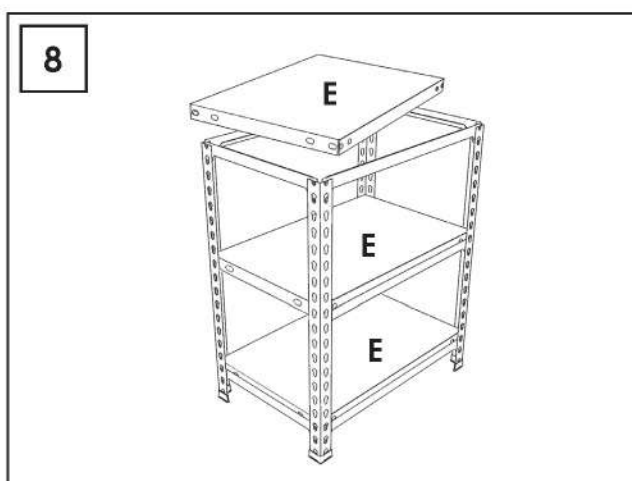
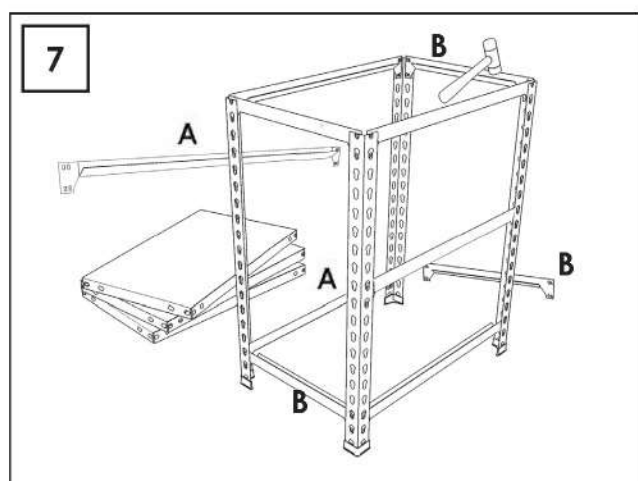
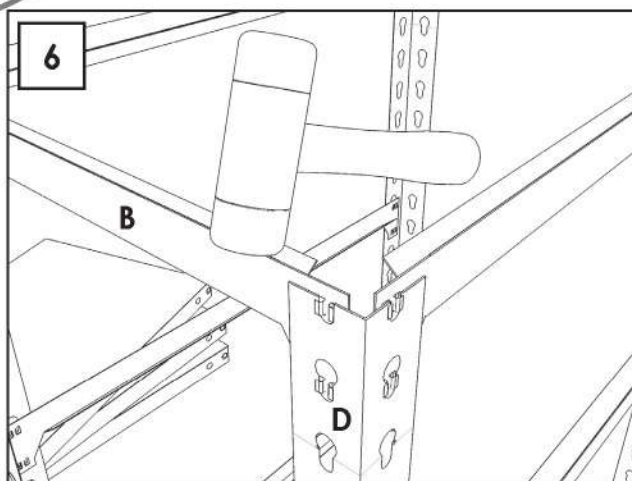
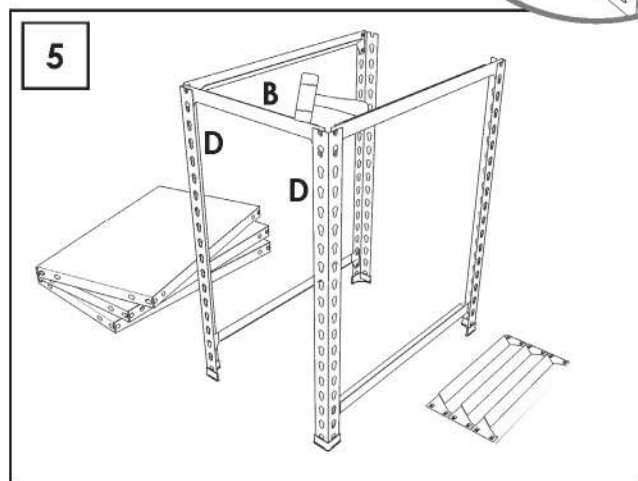
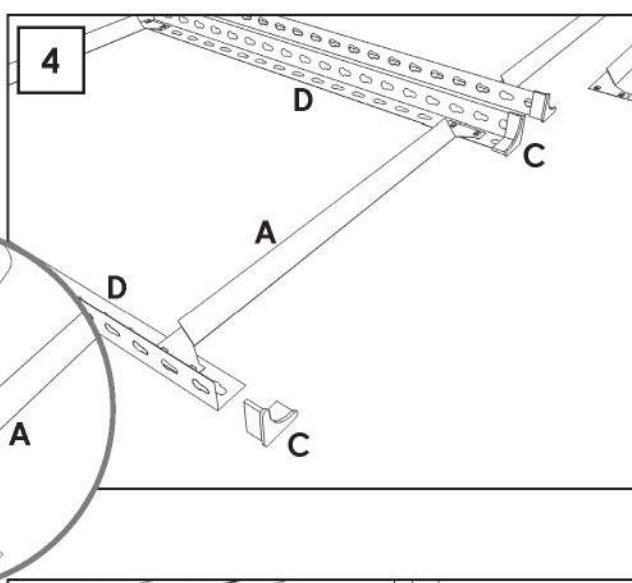
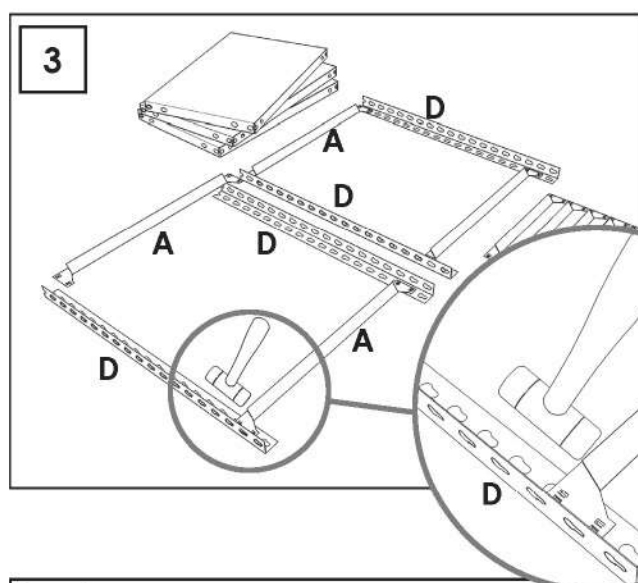
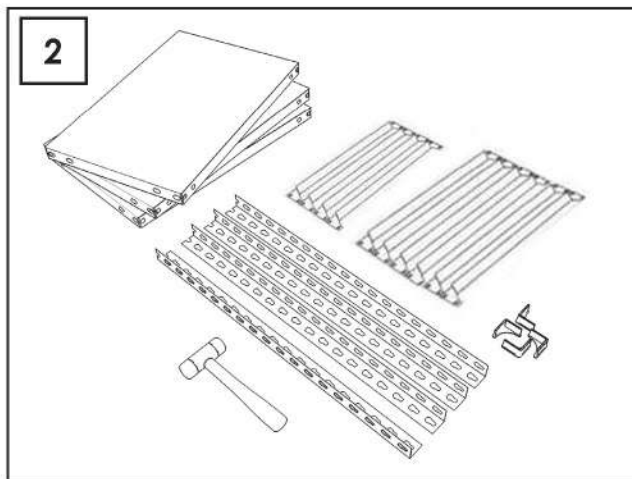
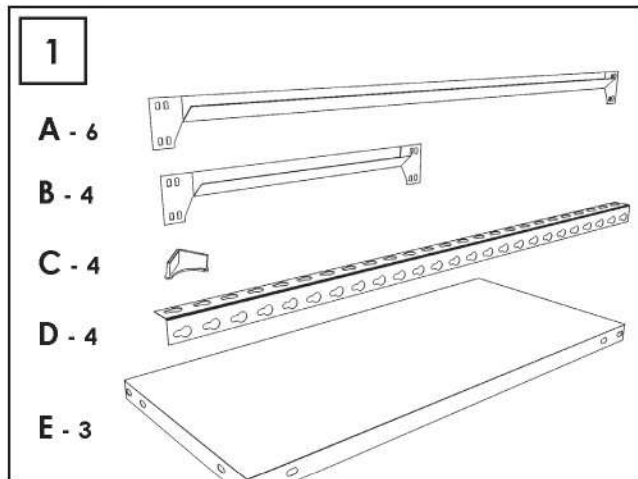
Simon Rack
SINCE 1964 - MANUFACTURER



www.simonrack.com



INSTRUCTIONS



SIMONCLASSIC	
SIMONCLICK	
SIMONTALLER	
SIMONAUTO	
SIMONWORK	
SIMONLOCKER	
SIMONOFFICE	
SIMONHOME	
SIMONGARDEN	
SIMONTITÁN	SIMONINOX
SIMONINDUSTRIAL	
SIMONPALET	SIMONLEVER
<p>ALTILLOS Y PASILLOS ELEVADOS PLATFORMS AND MEZZANINES LAGERBÜHNEN • PLATES-FORMES ET MEZZANINES</p>	