

200 x 100 x 40 cm

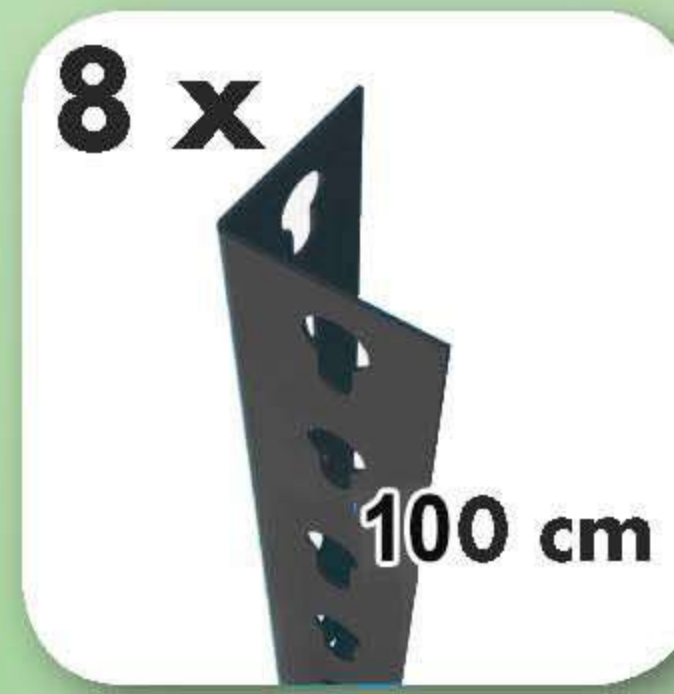
78.7" x 39.32" x 15.7"

SIMONCLICK PLUS 5/400

5 Años Garantía
Years Guarantee
Jahre Garantie
Ans Garantie
SIMONRACK



900 kg
(2000 lb)
Total



*MEDIDAS EN USO USED MEASUREMENTS
MASSNAHMEN IM EINSATZ MESURES EN EMPLOI MEDIDAS EM USO:
1975 x 1010 x 410 mm (77.7" x 39.7" x 16.1")



**Simon
Rack**
SINCE 1964 - MANUFACTURER

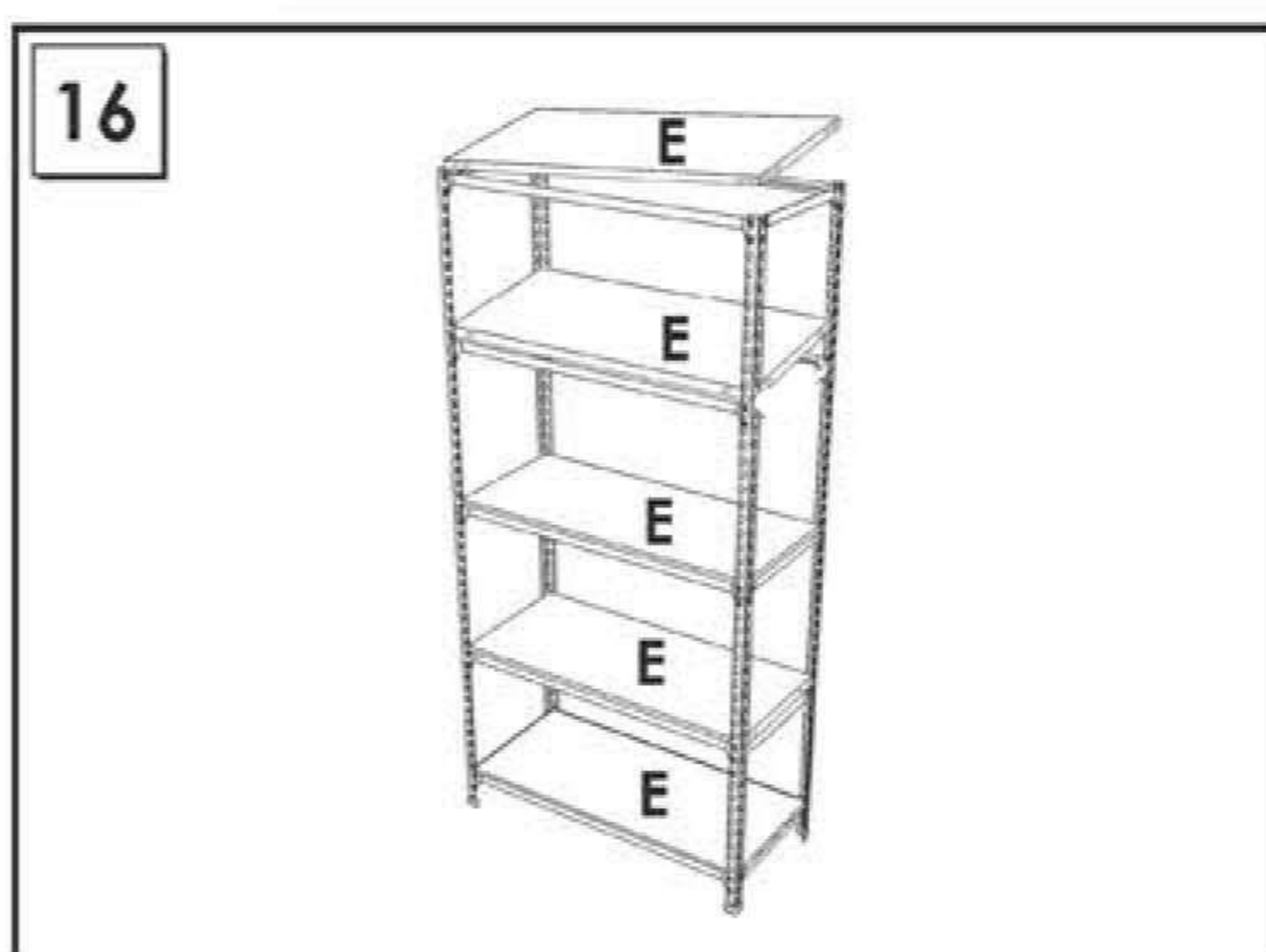
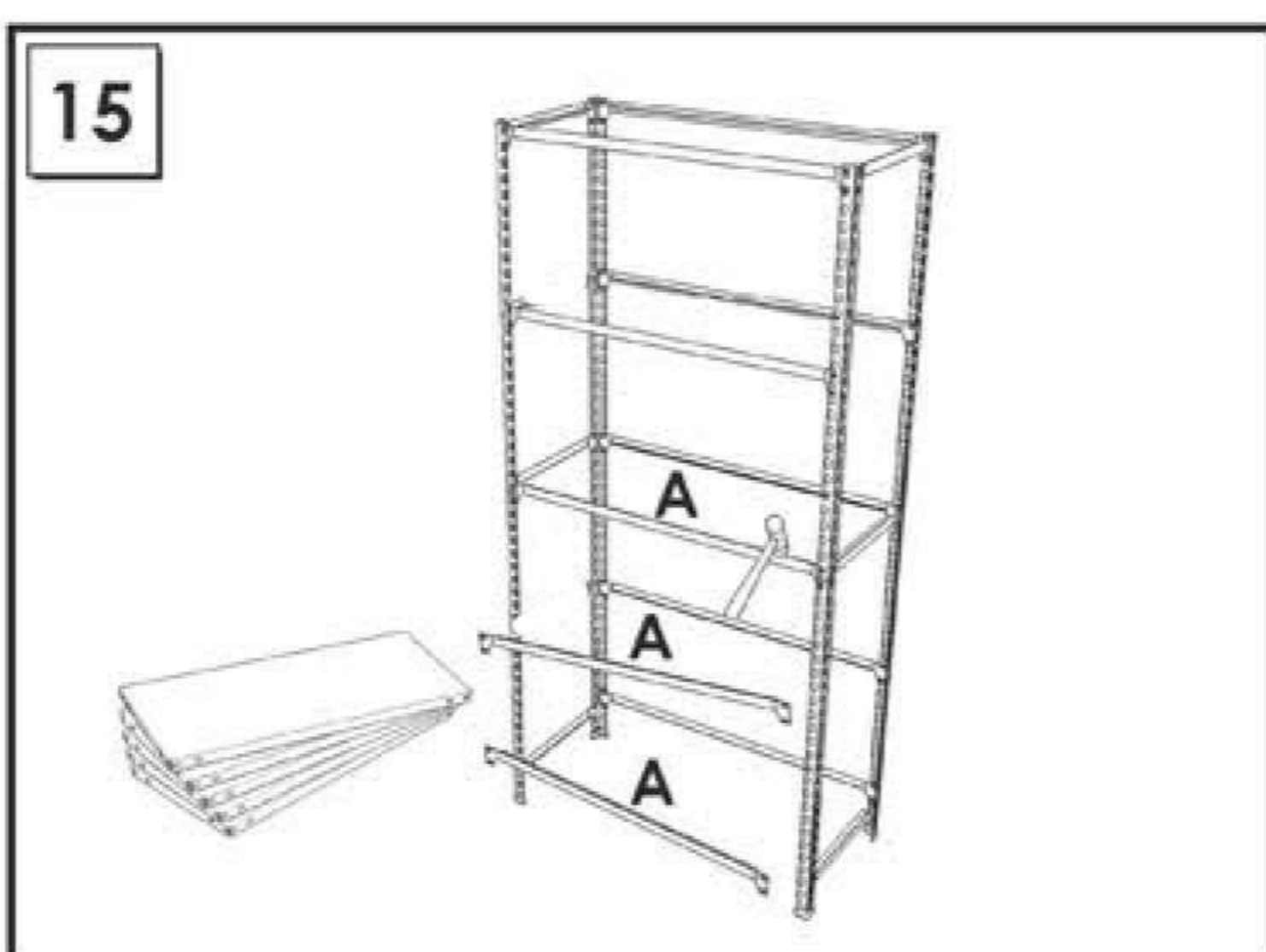
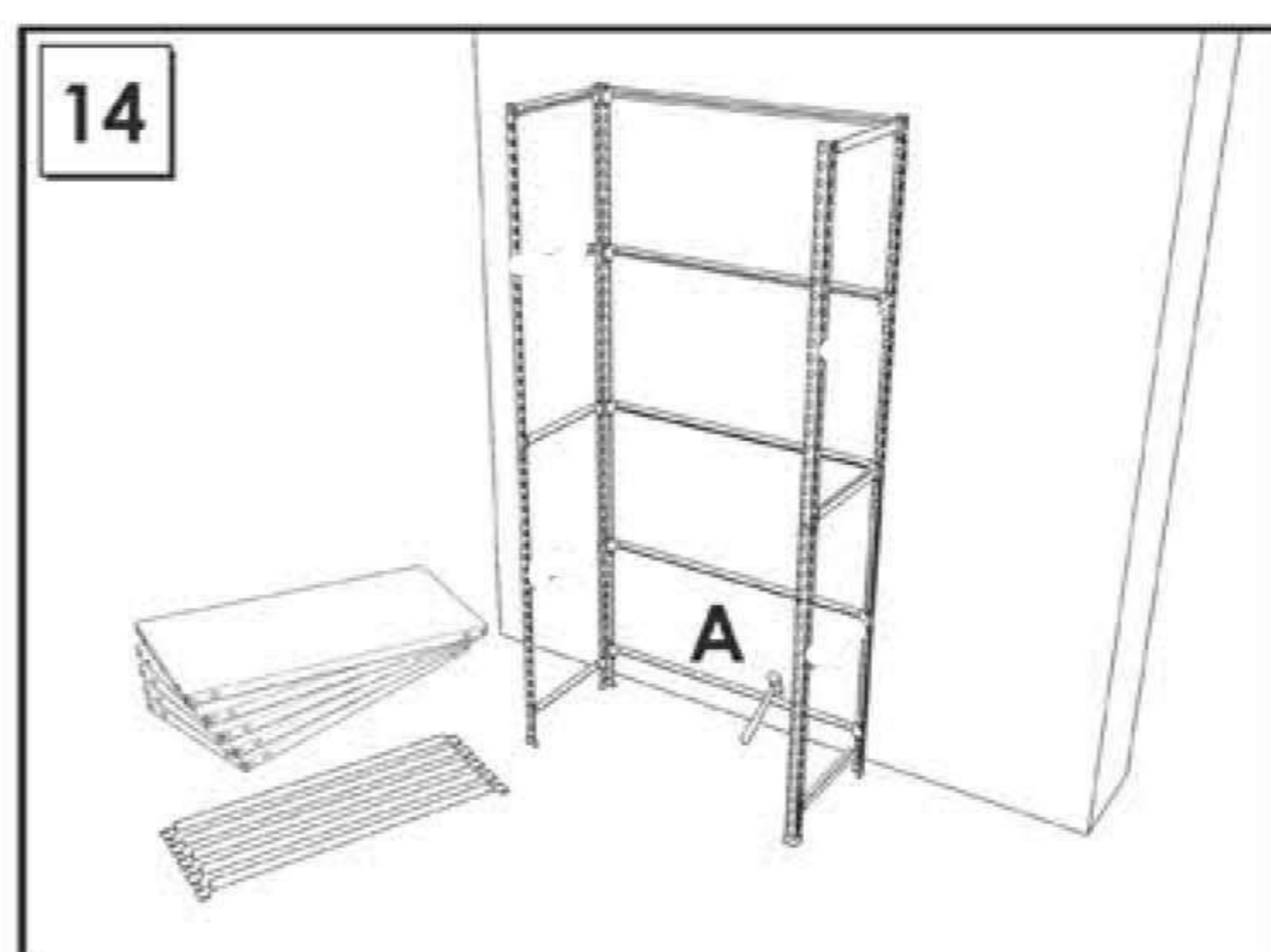
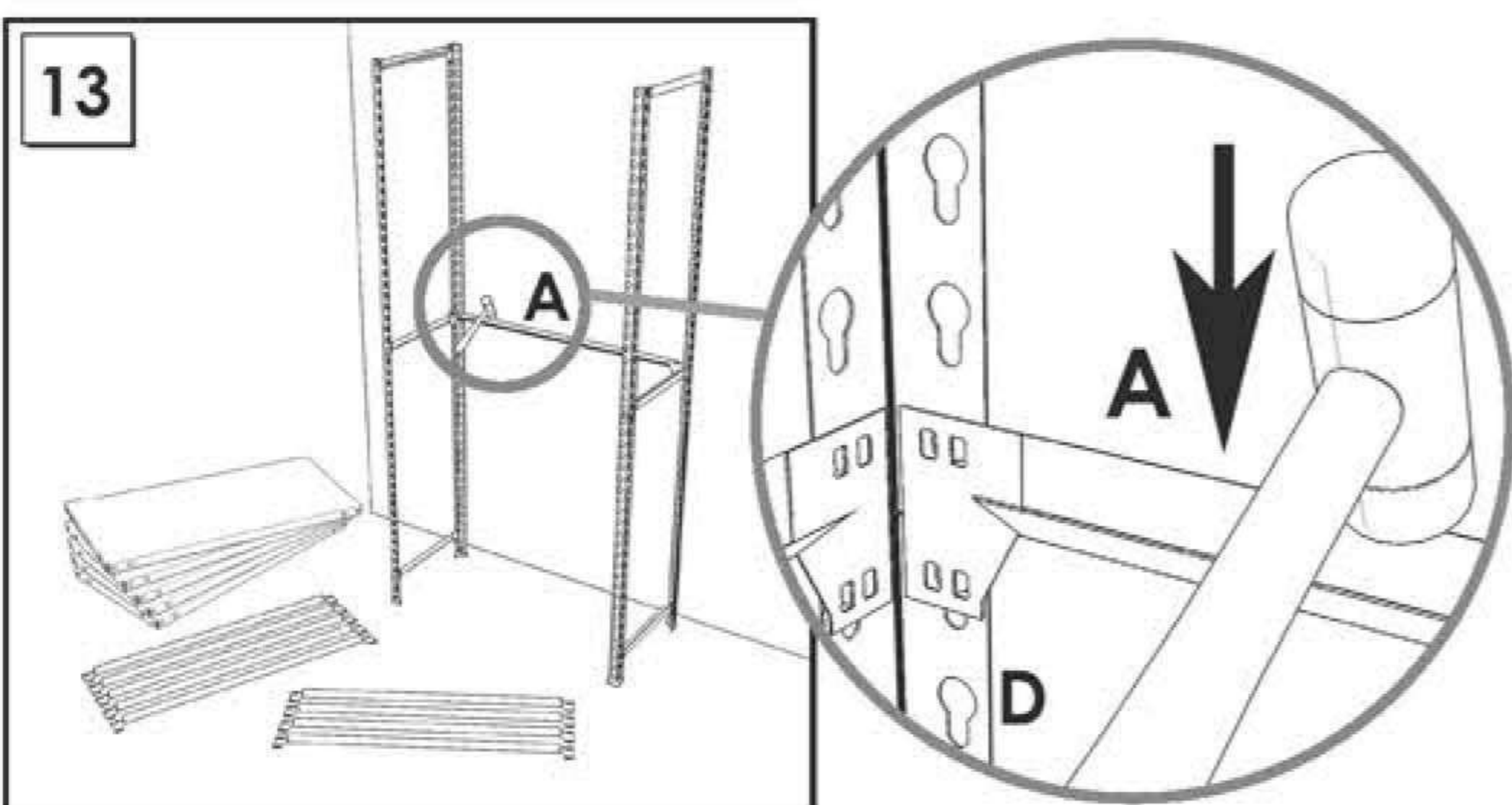
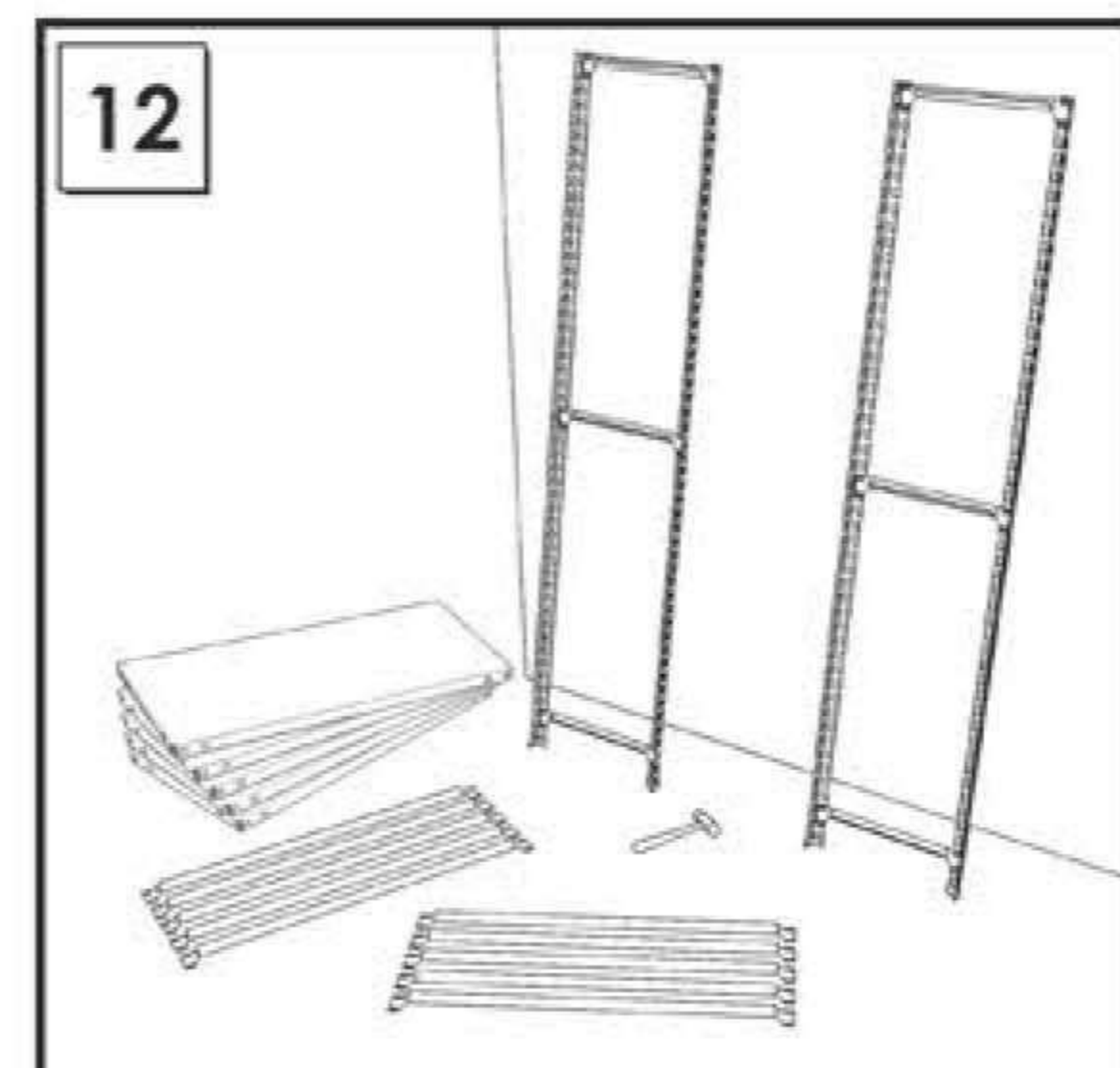
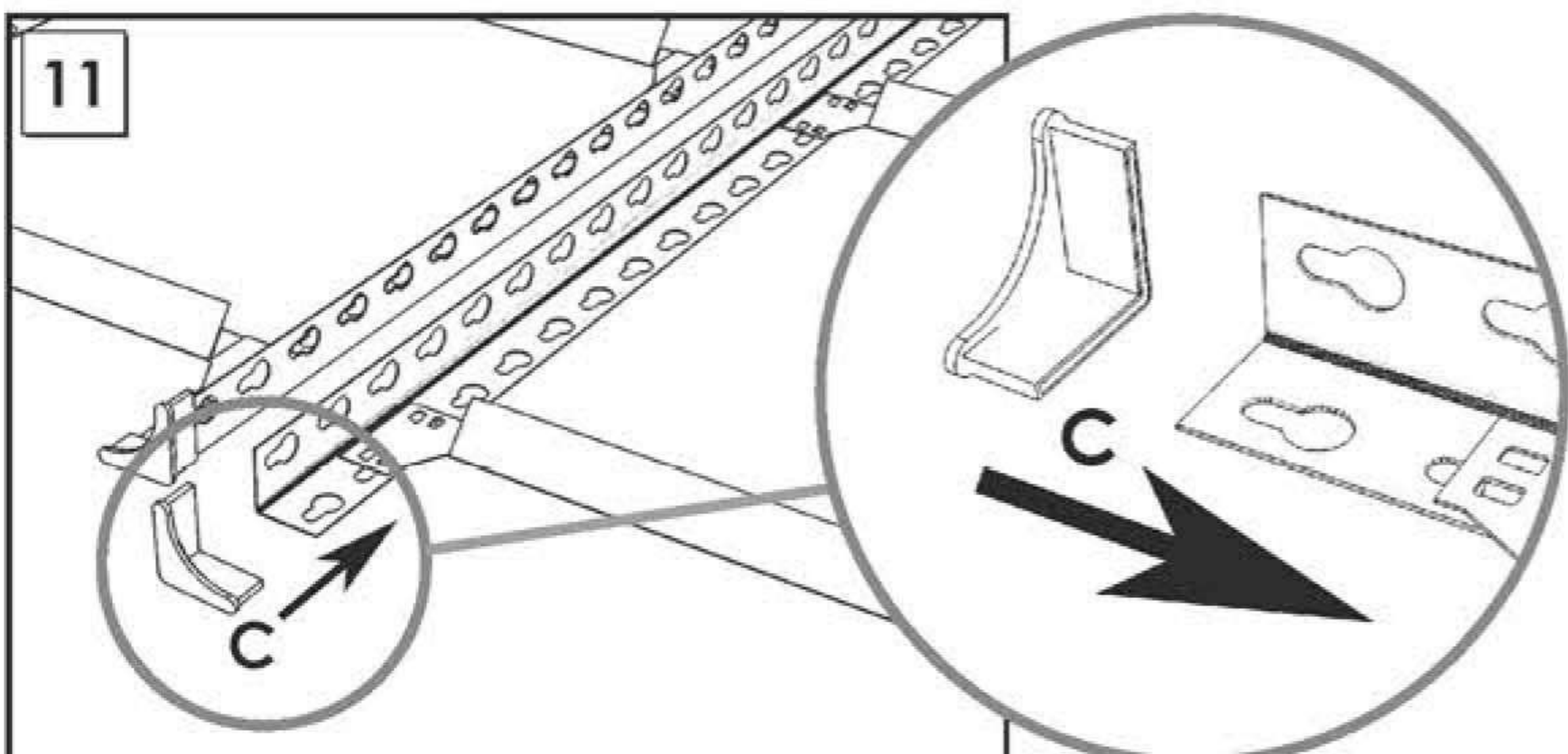
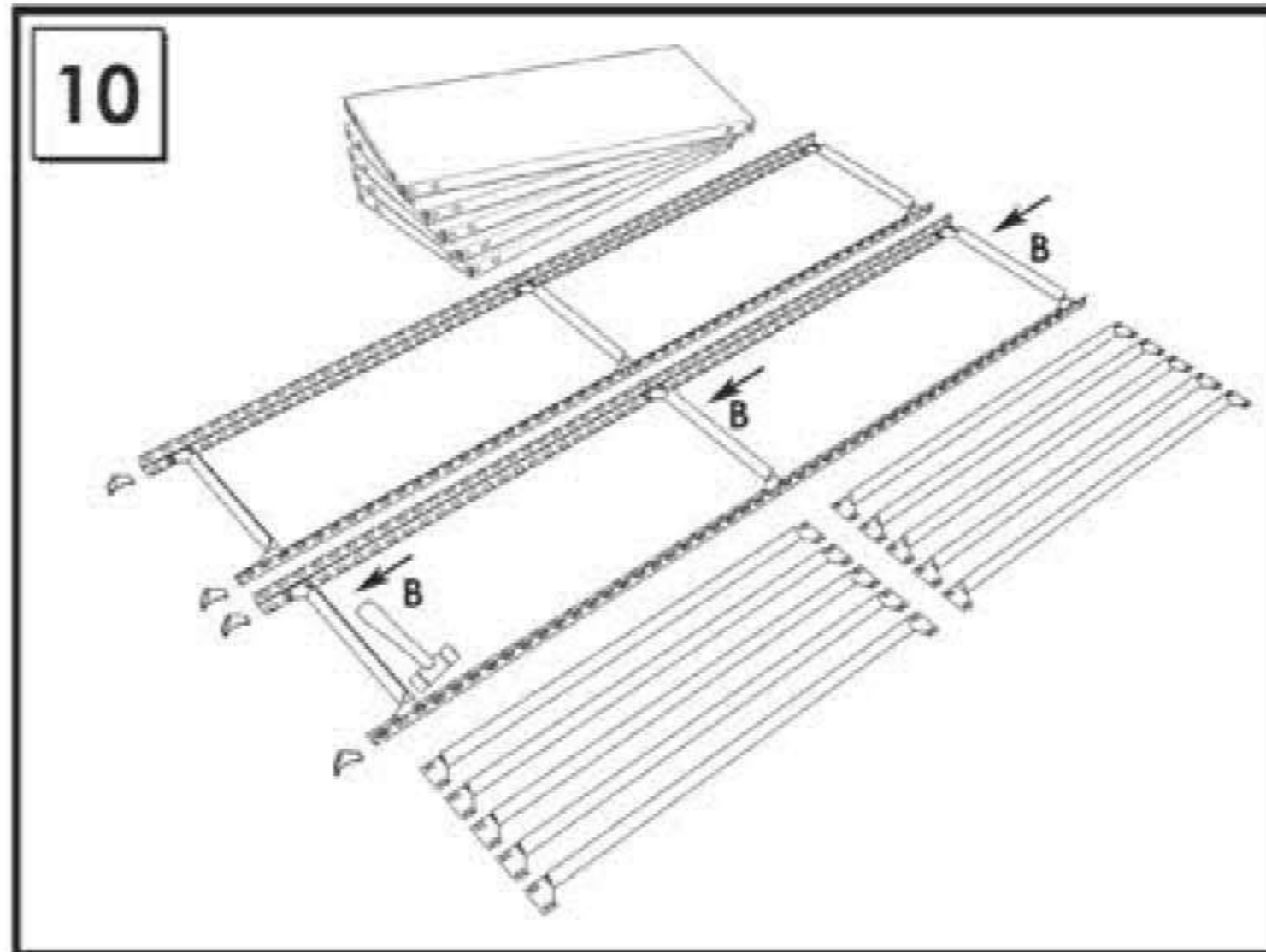
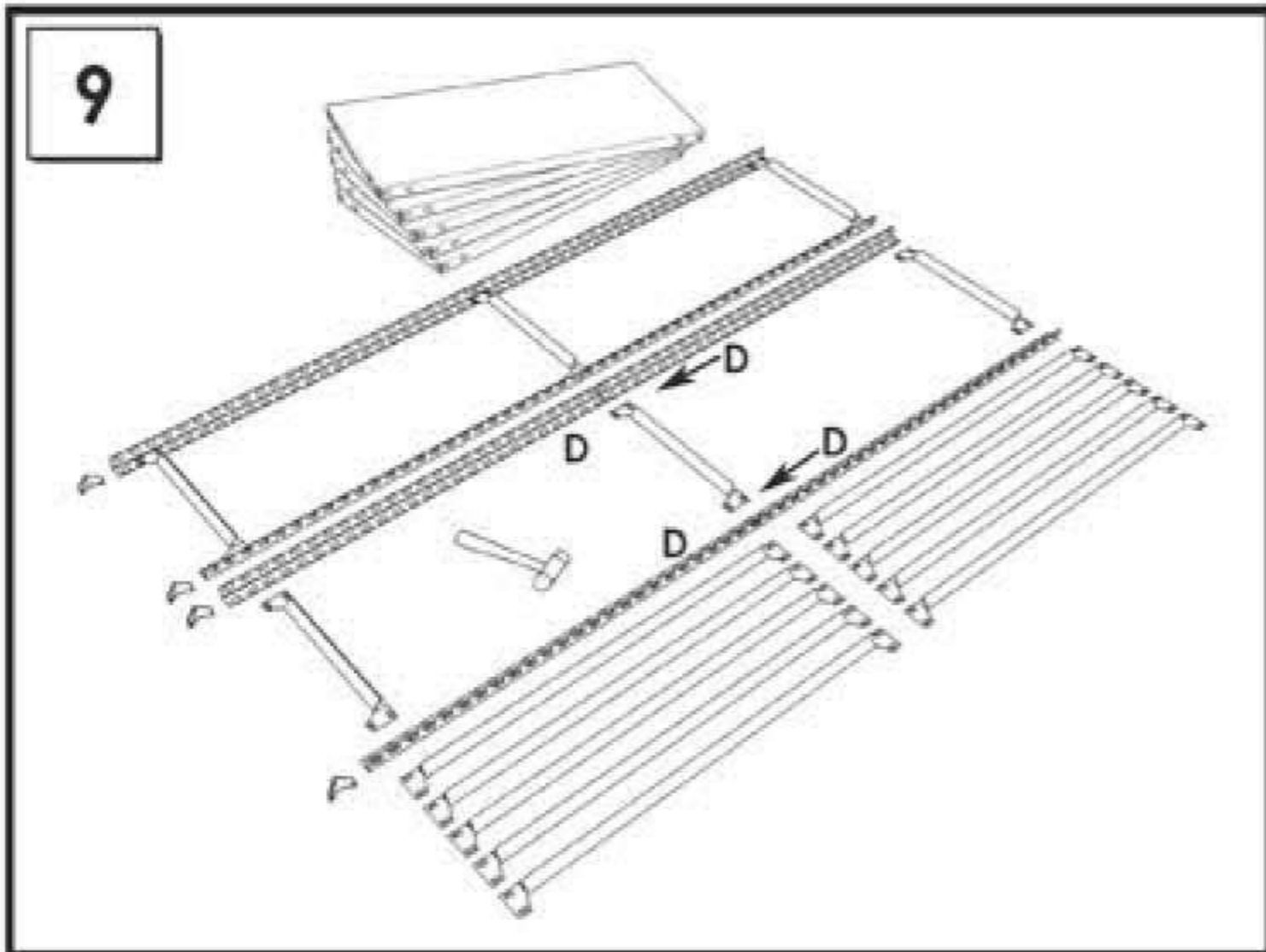
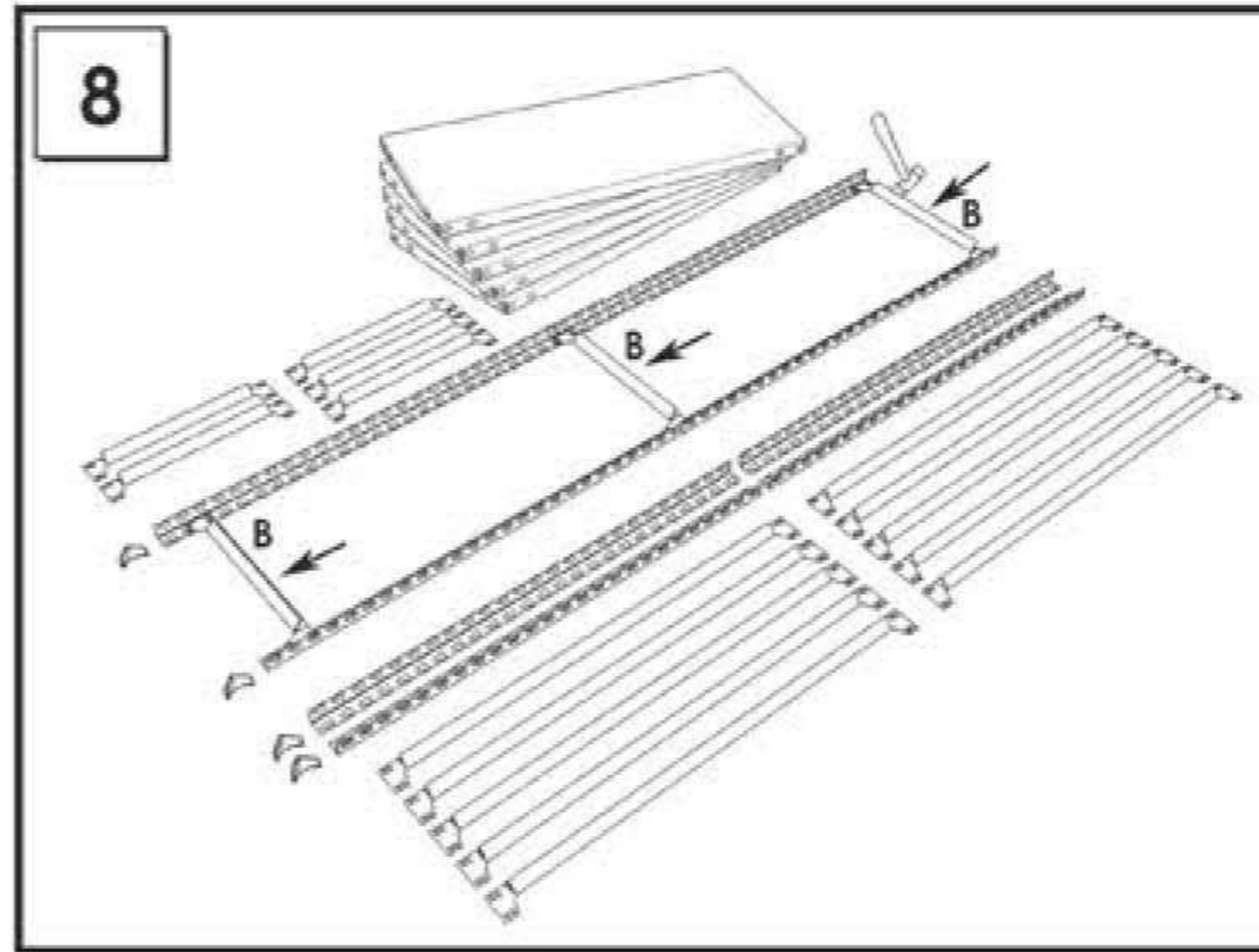
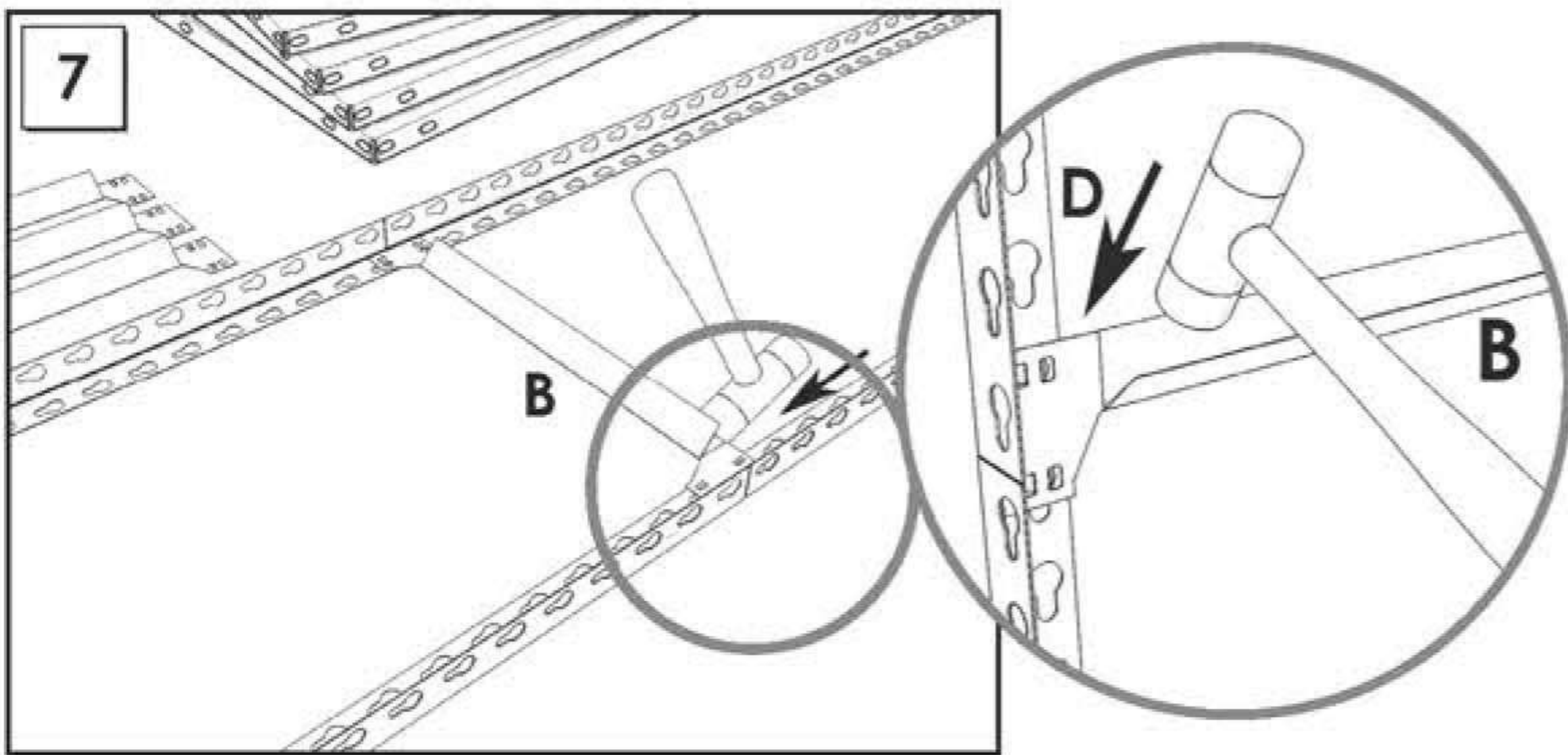
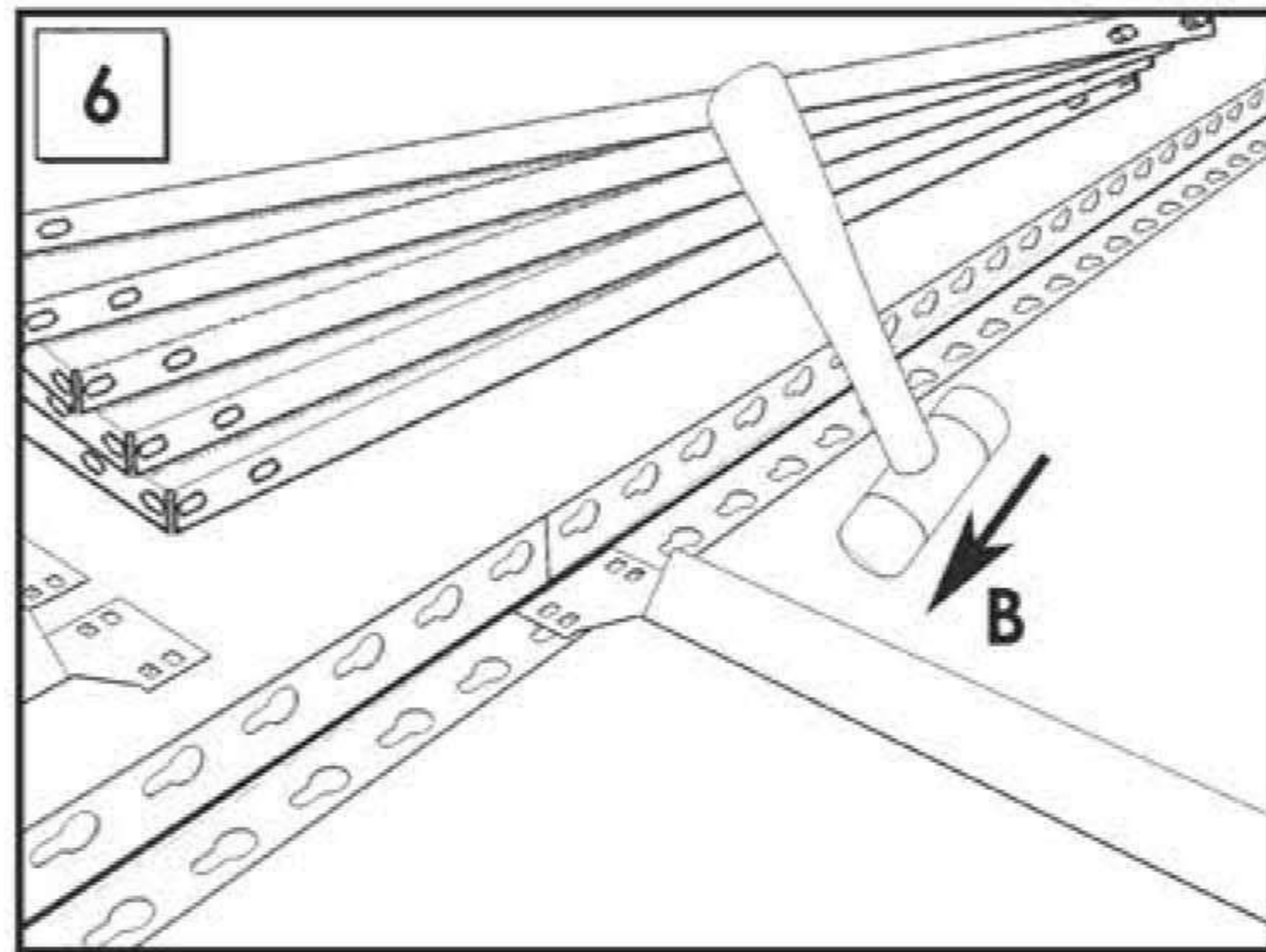
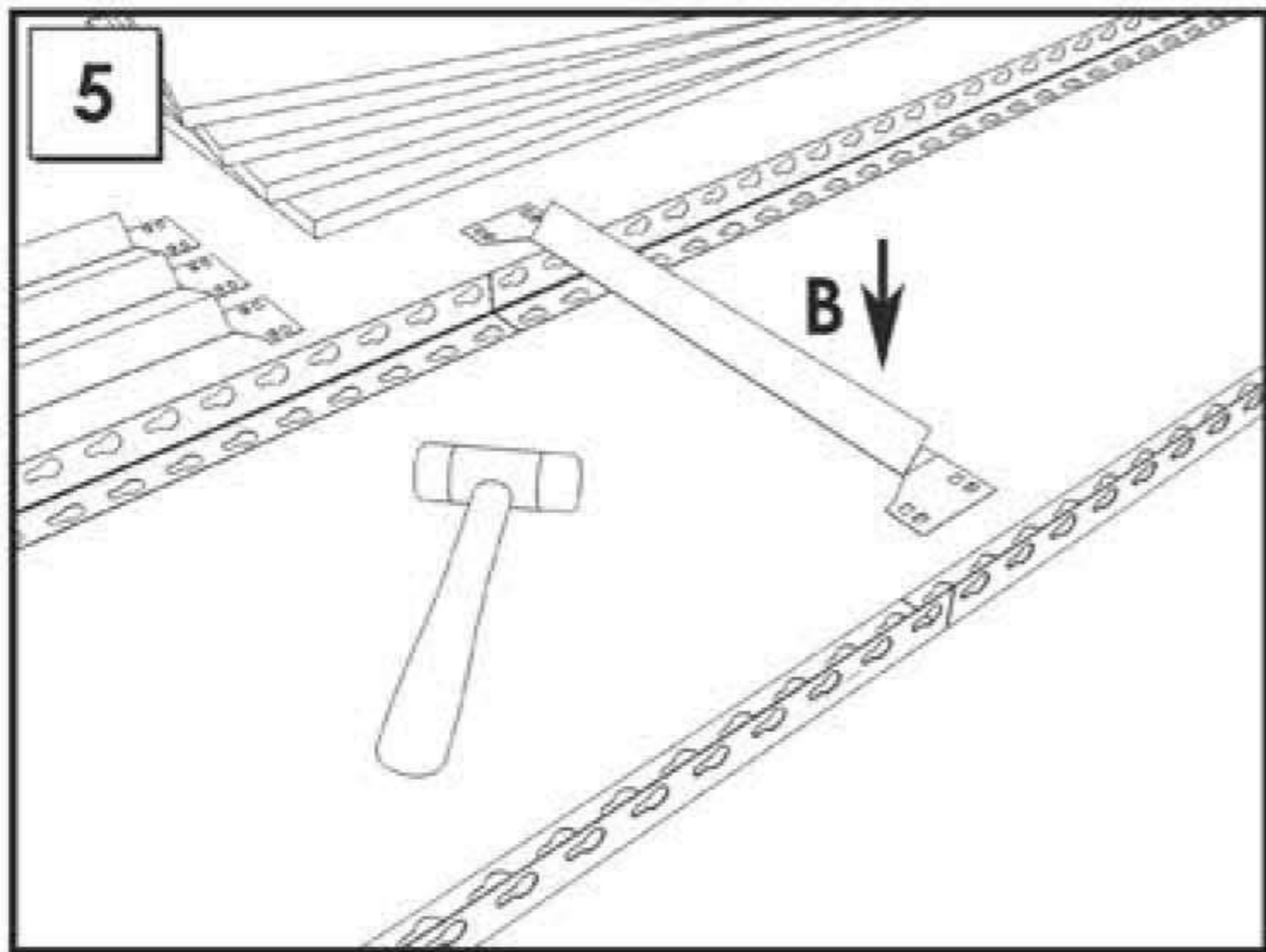
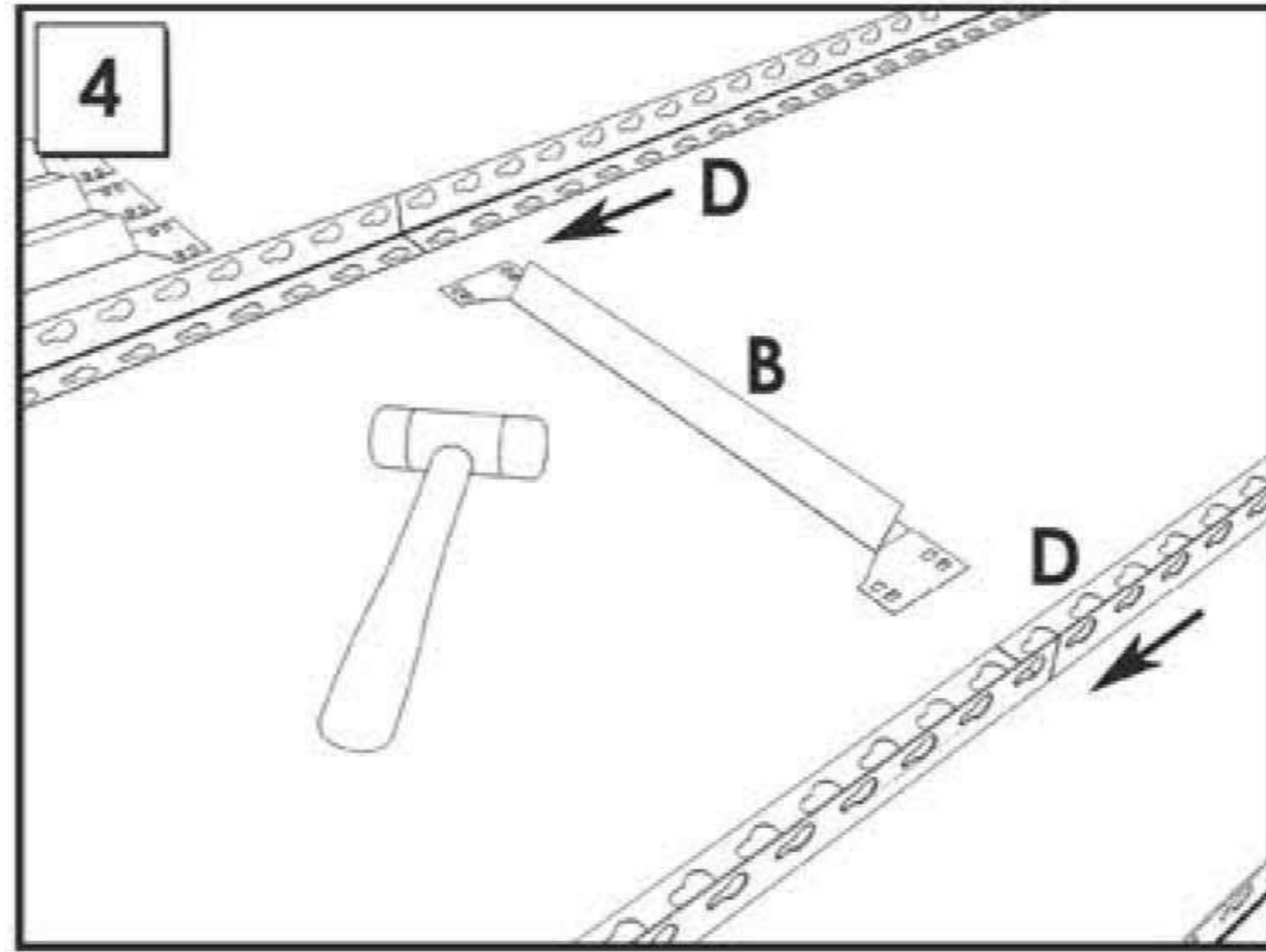
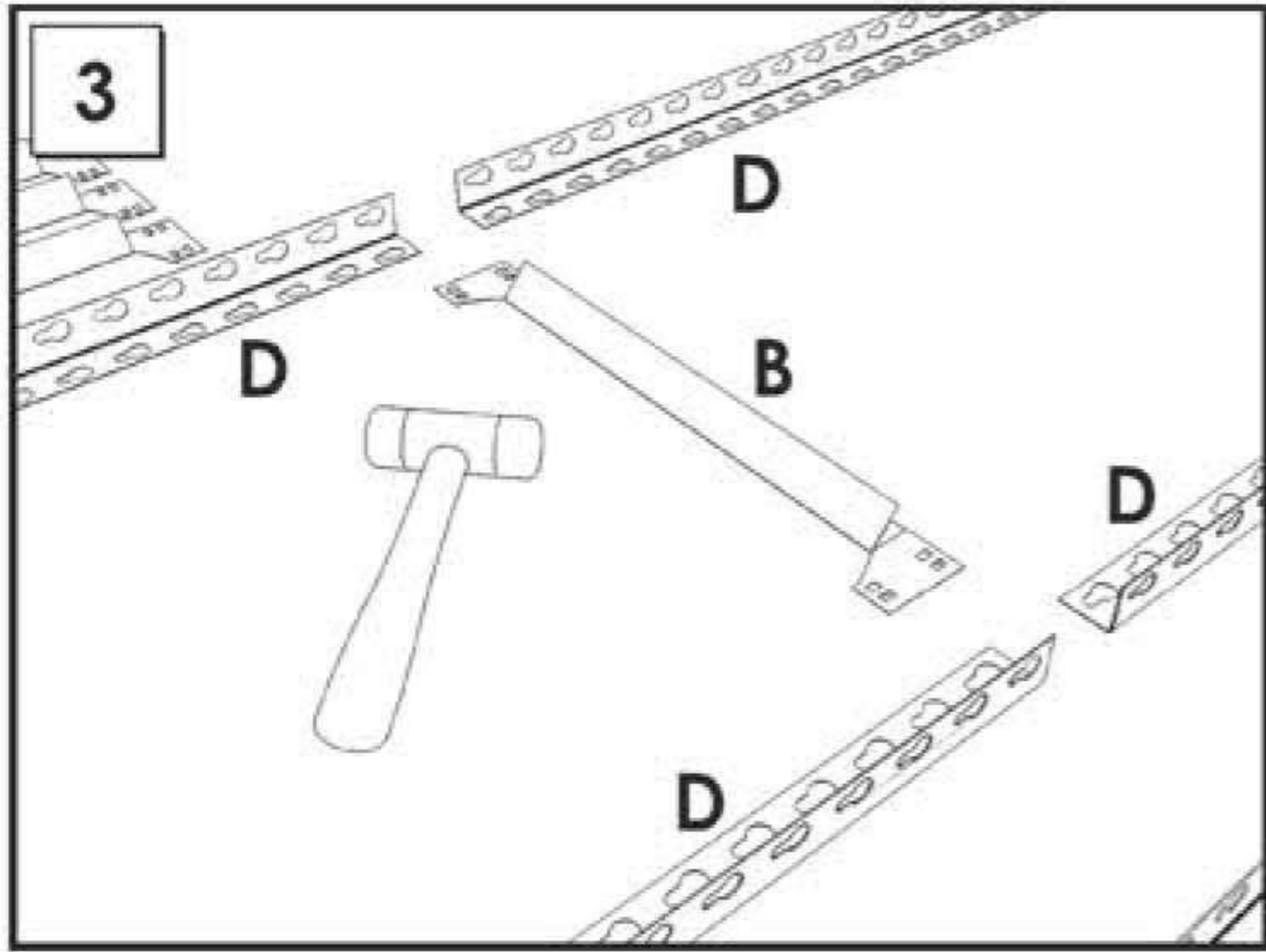
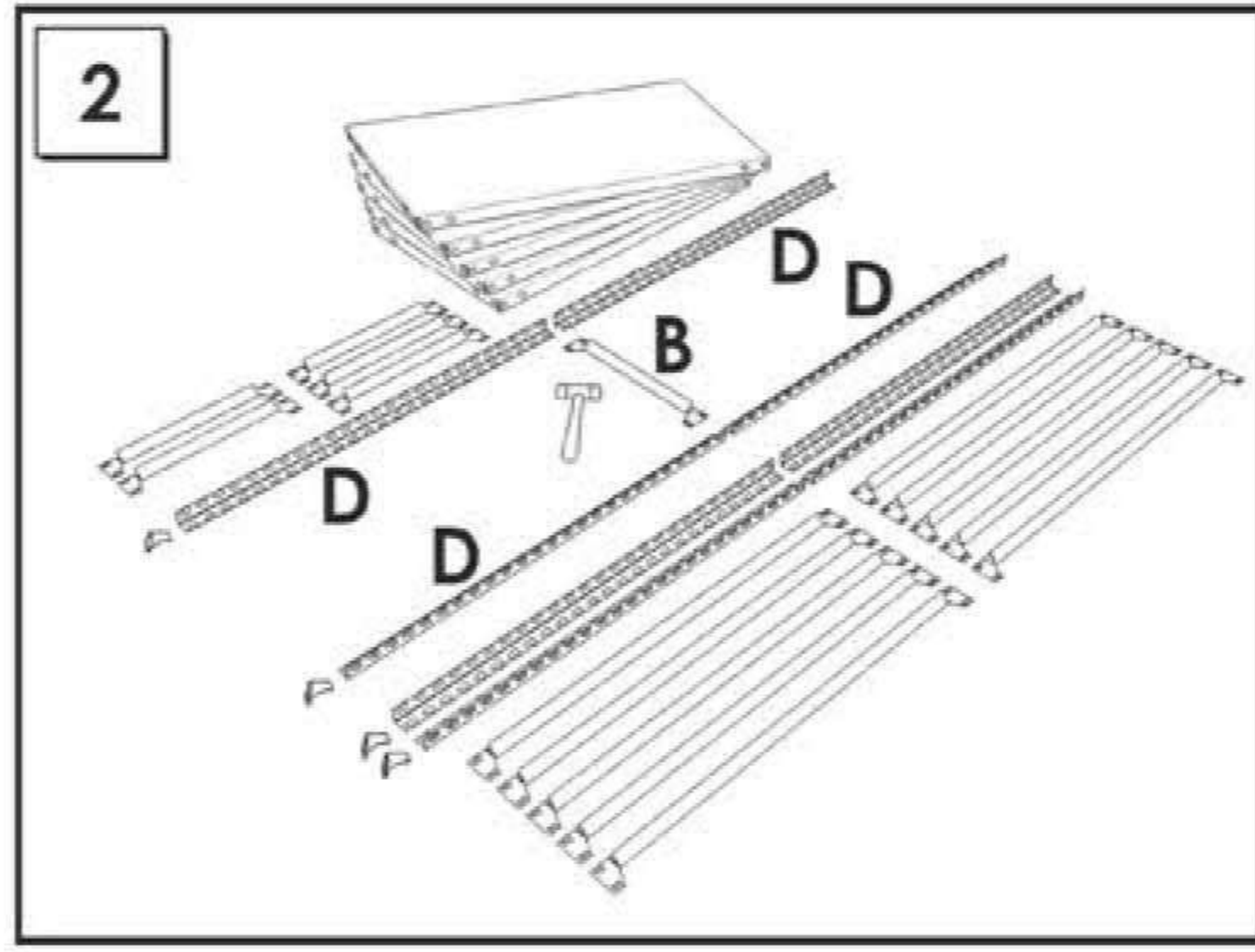
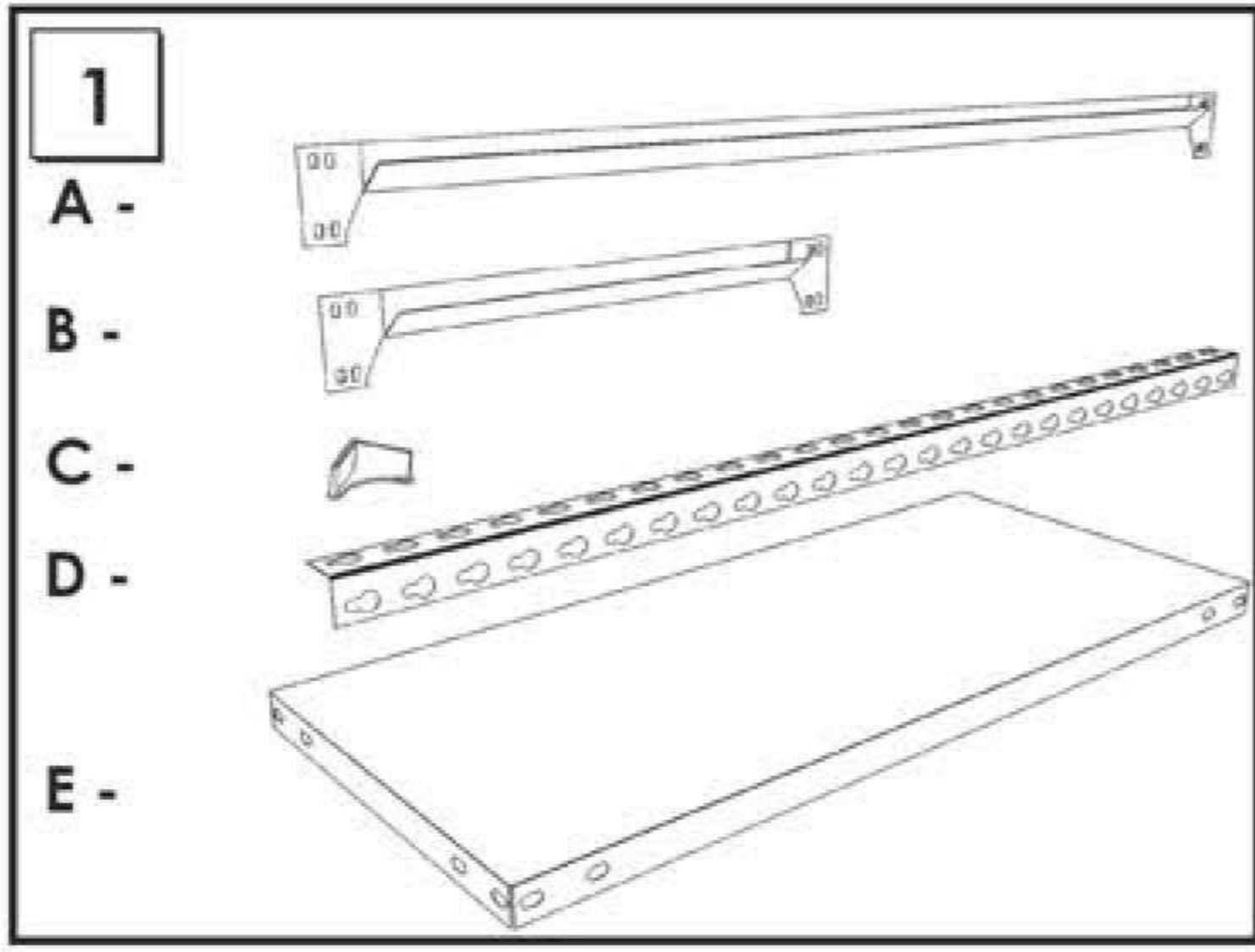
ESTANTERIAS SIMON S.L. B.50.556.463
PG. ALFAMEN C/ POLIGONO C, N°3
ALFAMEN (ZARAGOZA)



www.simonrack.com



INSTRUCTIONS



On-line instructions: www.instructionsrack.com/simonclick

www.simonrack.com • www.simonrack.com • www.simonrack.com • www.simonrack.com

SIMONCLASSIC



SIMONCLICK



SIMONOFFICE



SIMONTALLER



BANCOS DE TRABAJO WORK BENCHES



SIMONHOME



TAQUILLAS LOCKER



SIMONTITÁN



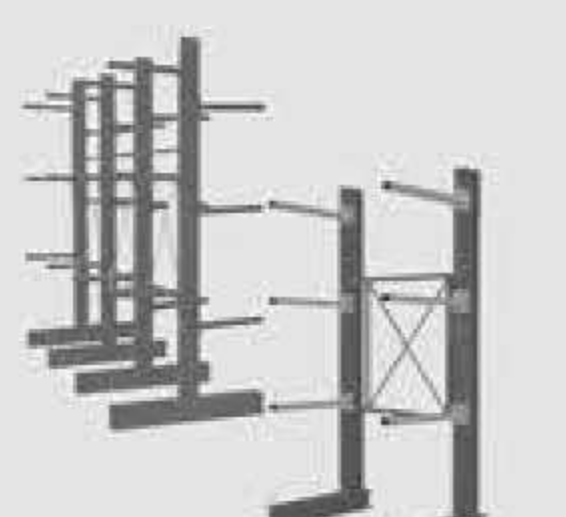
SIMONINOX



SIMONPALET



SIMONLEVER



ALTILLOS Y PASILLOS ELEVADOS PLATFORMS AND MEZZANINES

