

200x120x40 cm*

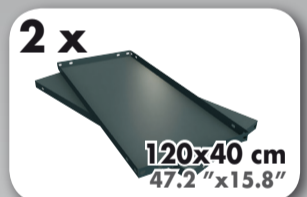
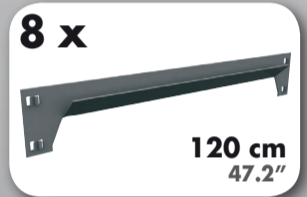
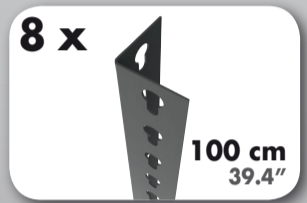
78.7" x 47.2" x 15.8"

KIT SIMONGARAGE MegaPlus 4/400

5 years
SIMONRACK
GUARANTEE



720 kg
(1600 lb)
Total



*MEDIDAS EN USO: 1979 x 1211 x 410 mm
USED MEASUREMENTS: 77.91" x 47.68" x 16.14"



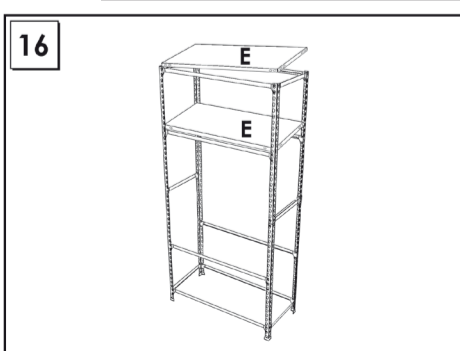
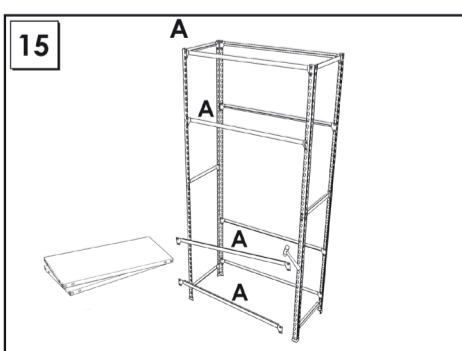
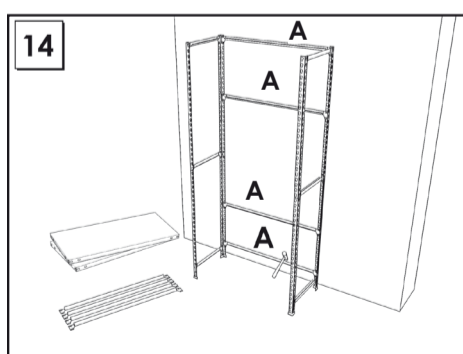
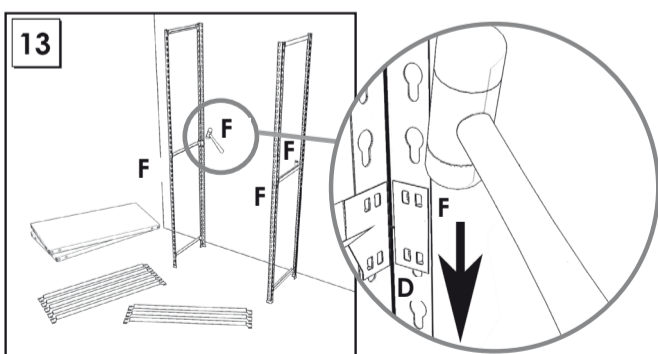
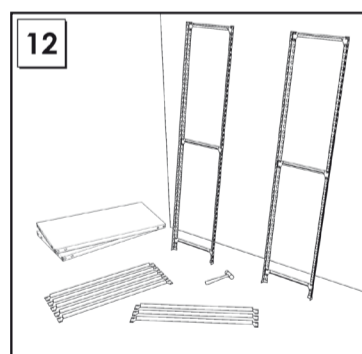
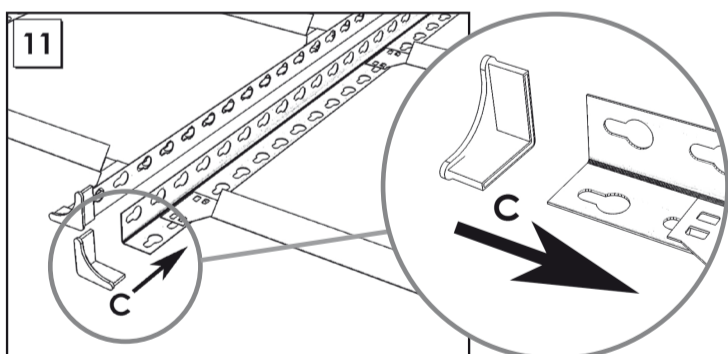
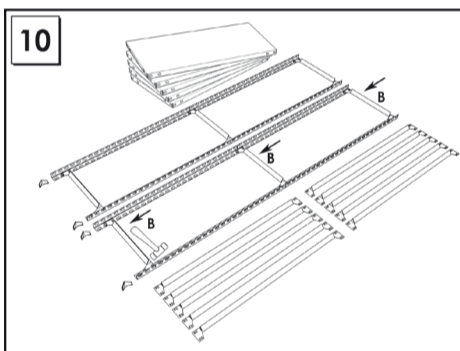
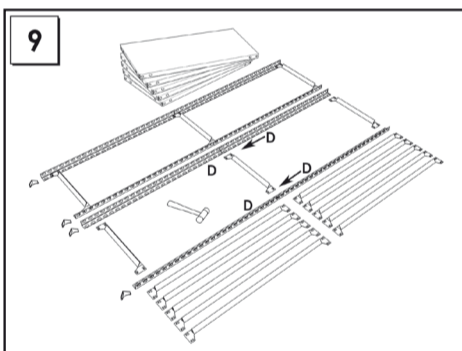
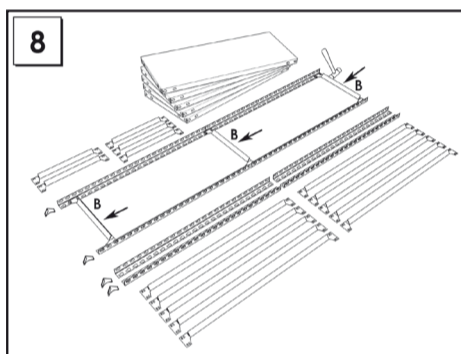
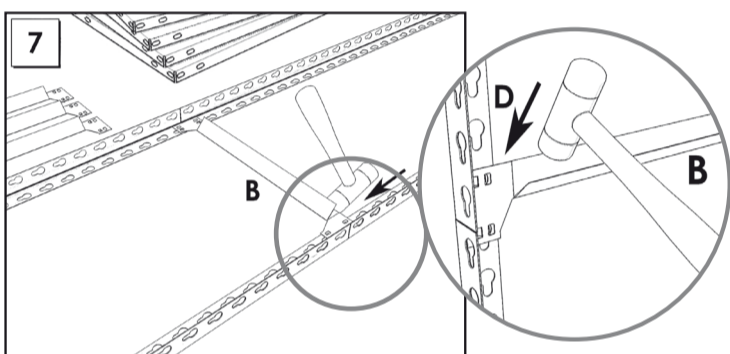
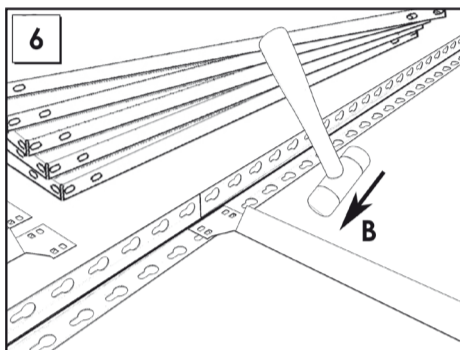
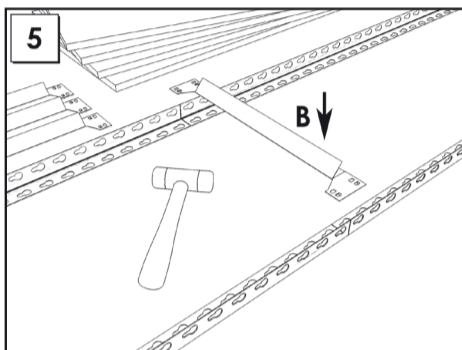
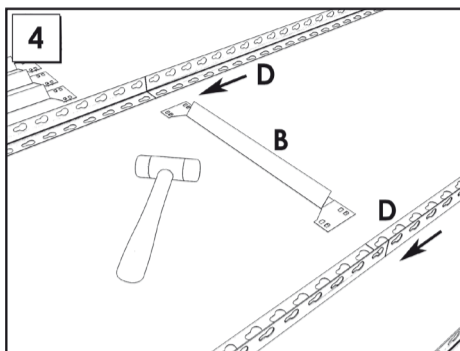
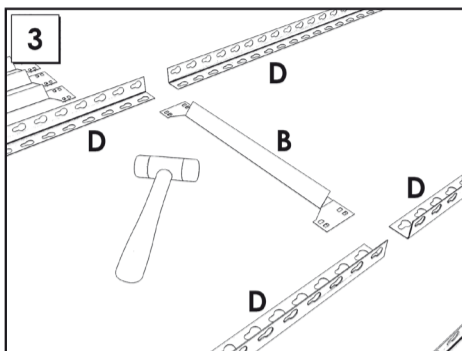
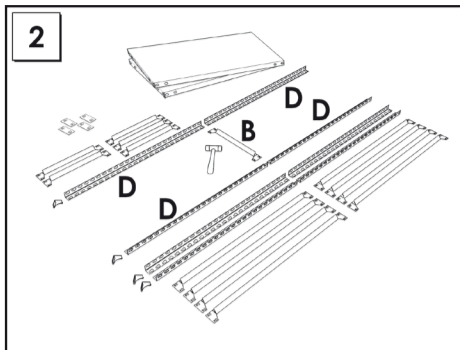
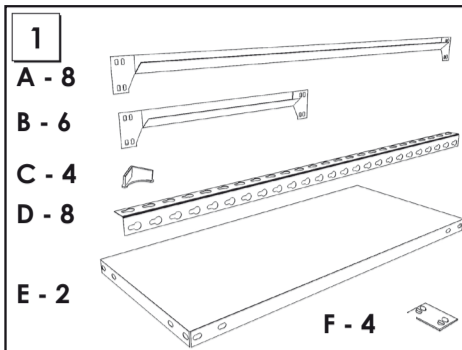
ESTANTERIAS SIMON S.L. B.50.556.463
PG. ALFAMEN C/ POLIGONO C. Nº3
ALFAMEN (ZARAGOZA)



www.simonrack.com



INSTRUCTIONS



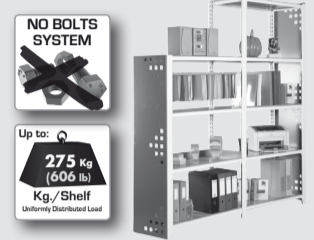
SIMONCLASSIC



SIMONCLICK



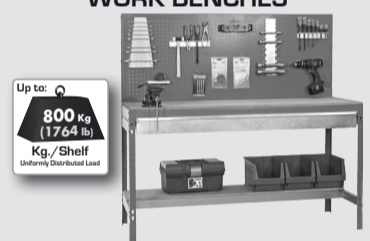
SIMONOFFICE



SIMONTALLER



**BANCOS DE TRABAJO
WORK BENCHES**



SIMONHOME



**TAQUILLAS
LOCKER**



SIMONTITÁN



SIMONINOX



SIMONPALET



SIMONLEVER



**ALTILLOS Y PASILLOS ELEVADOS
PLATFORMS AND MEZZANINES**

