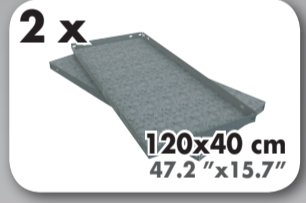
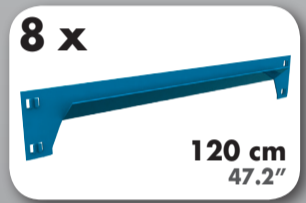
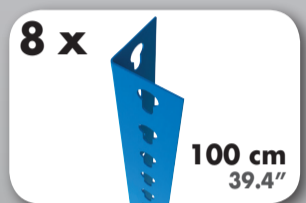
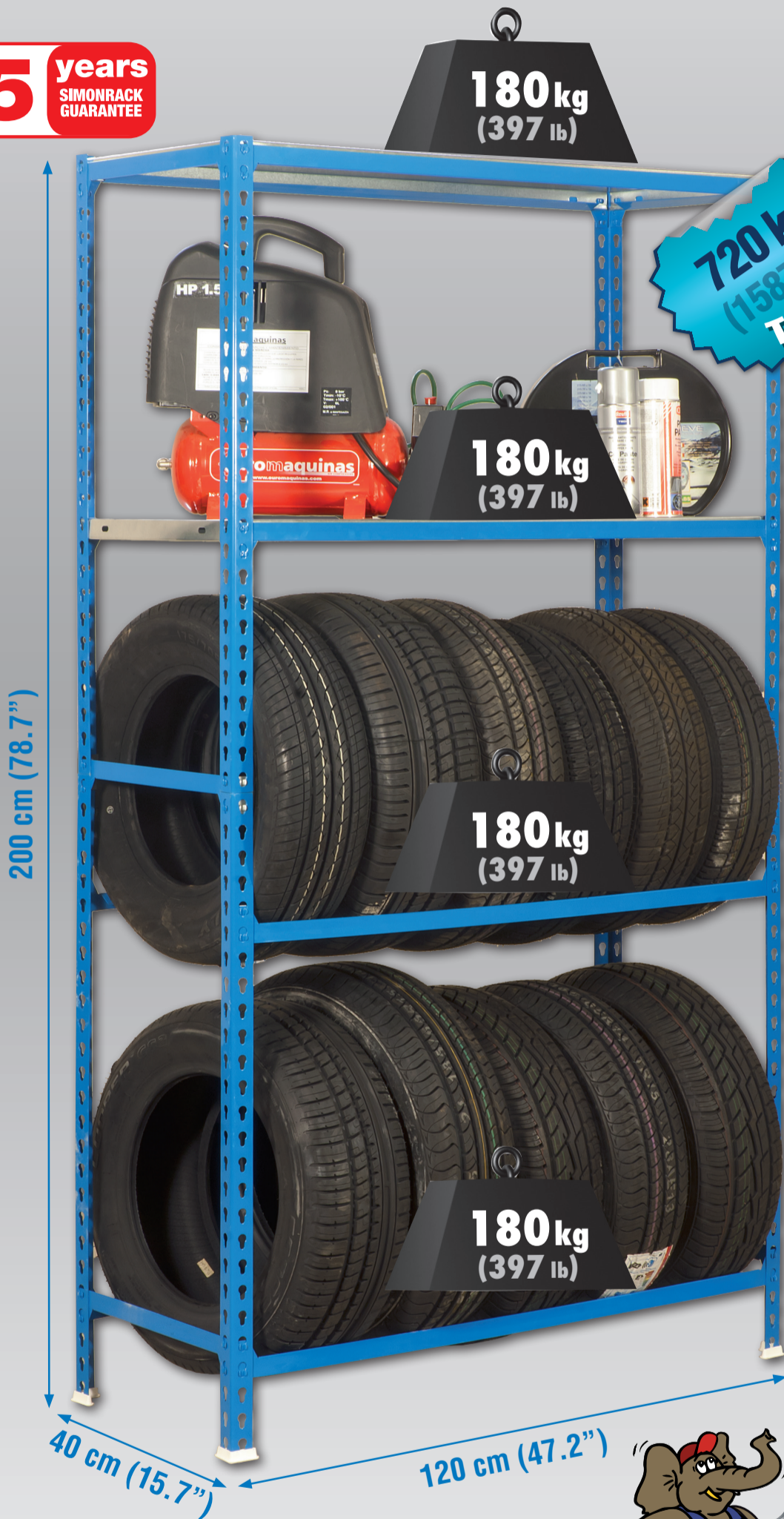


# 200 x 120 x 40 cm

## 78.7" x 47.2" x 15.8"

### KIT SIMONGARAGE Mega Plus 4/400

**5** years  
SIMONRACK  
GUARANTEE

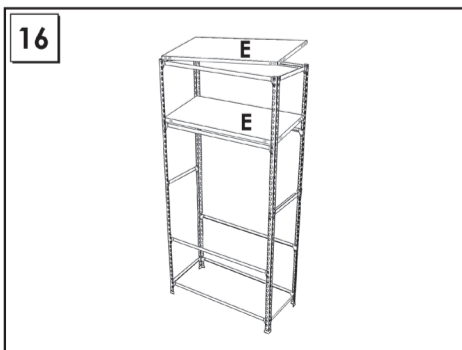
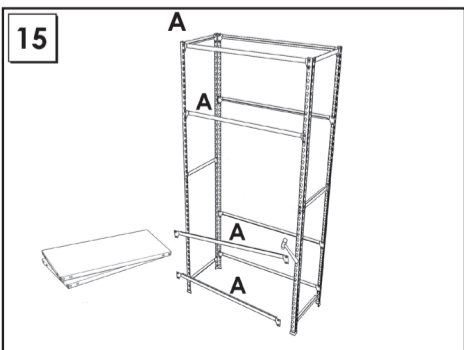
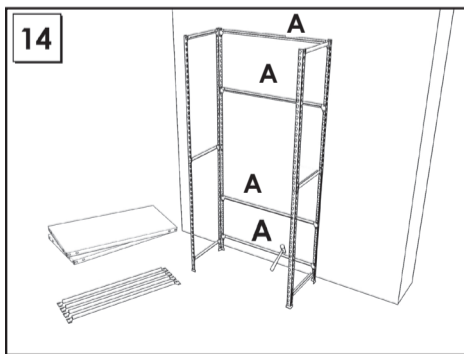
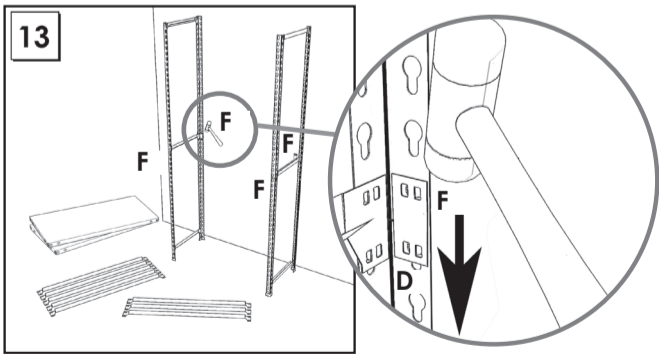
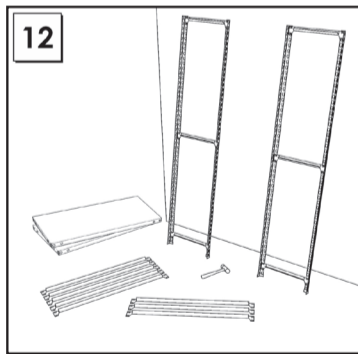
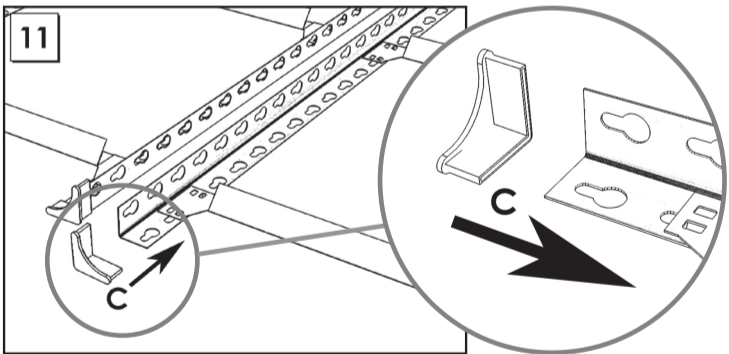
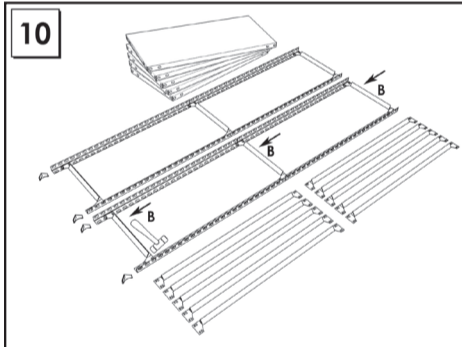
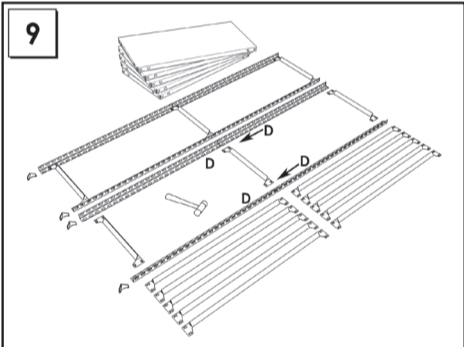
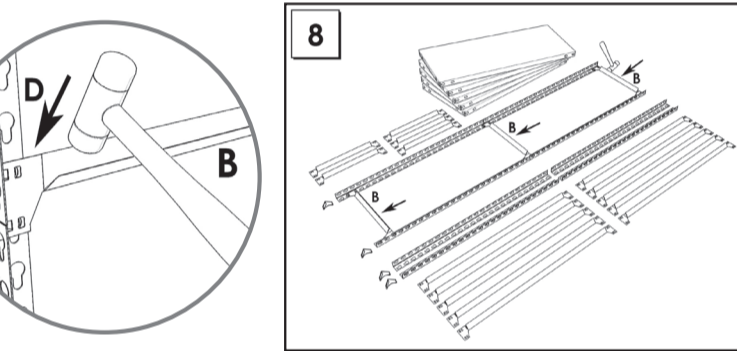
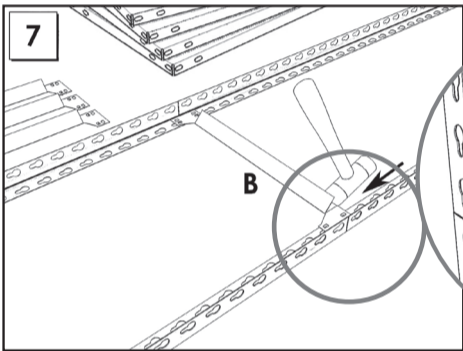
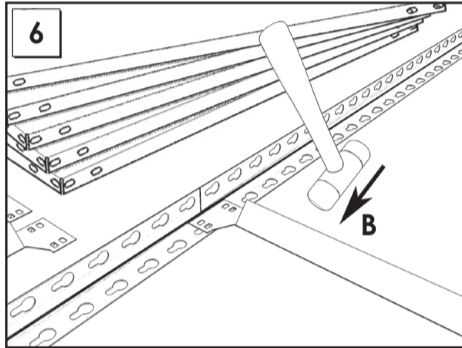
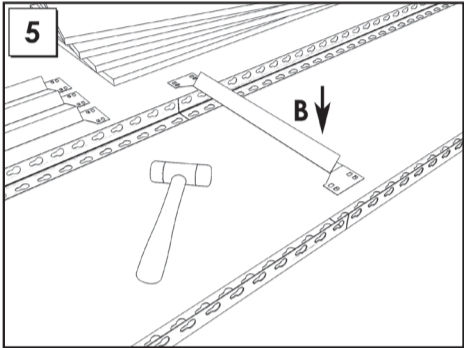
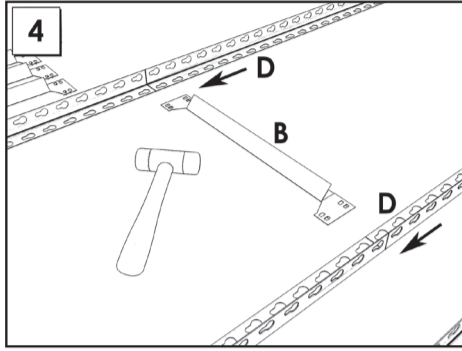
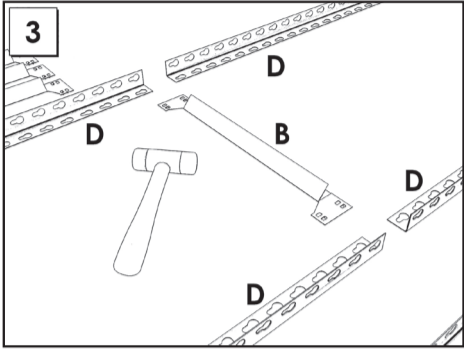
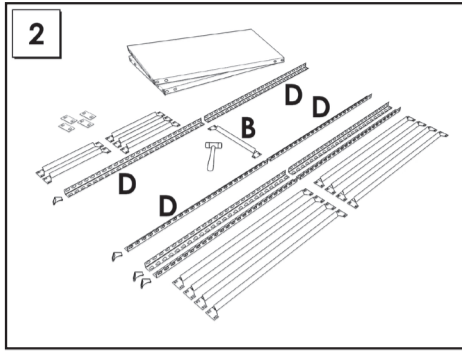
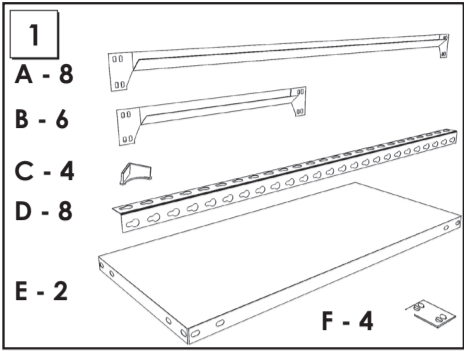


[www.simonrack.com](http://www.simonrack.com)



Management System  
ISO 9001:2008  
www.tuv.com  
ID 9105944225

INSTRUCTIONS



## SIMONCLASSIC

**BOLTS SYSTEM**

Up to:  
**150 Kg.**  
Kg./Shelf  
Uniformly Distributed Load



## SIMONCLICK

**NO BOLTS SYSTEM**

Up to:  
**275 Kg.**  
Kg./Shelf  
Uniformly Distributed Load



## SIMONOFFICE

**NO BOLTS SYSTEM**

Up to:  
**275 Kg.**  
Kg./Shelf  
Uniformly Distributed Load



## SIMONTALLER

**NO BOLTS SYSTEM**

Up to:  
**700 Kg.**  
Kg./Shelf  
Uniformly Distributed Load



## BANCOS DE TRABAJO

Up to:  
**800 Kg.**  
Kg./Shelf  
Uniformly Distributed Load



## SIMONHOME

Up to:  
**150 Kg.**  
Kg./Shelf  
Uniformly Distributed Load



## TAQUILLAS



## SIMONTITÁN

**NO BOLTS SYSTEM**

Up to:  
**900 Kg.**  
Kg./Shelf  
Uniformly Distributed Load



## SIMONINOX

**NO BOLTS SYSTEM**

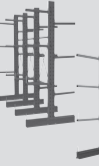


## SIMONPALET

Up to:  
**4500 Kg.**  
Kg./Shelf  
Uniformly Distributed Load



## SIMONLEVER



## ALTILLOS Y PASILLOS ELEVADOS

