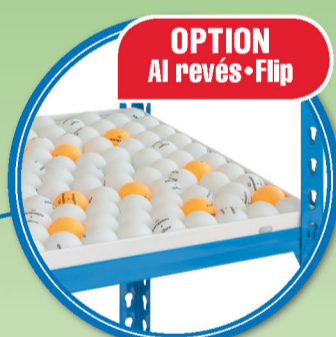
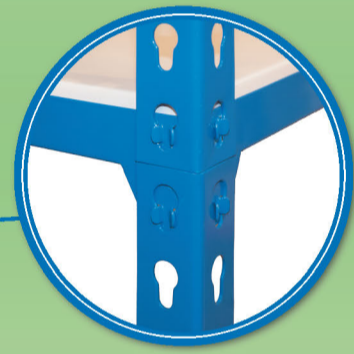


200 x 100 x 40 cm*

78.7" x 39.4" x 15.8"

SIMONCLICK PLUS 5/400

5 years
SIMONRACK
GUARANTEE



*MEDIDAS EN USO: 1979 x 1011 x 410 mm
USED MEASUREMENTS: 77.91" x 39.80" x 16.14"



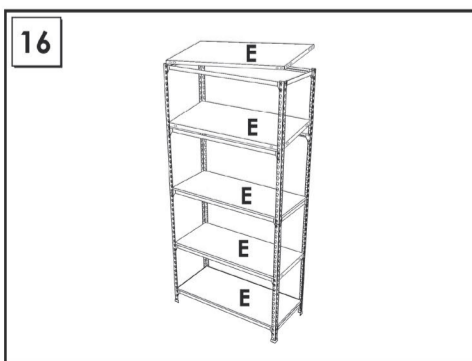
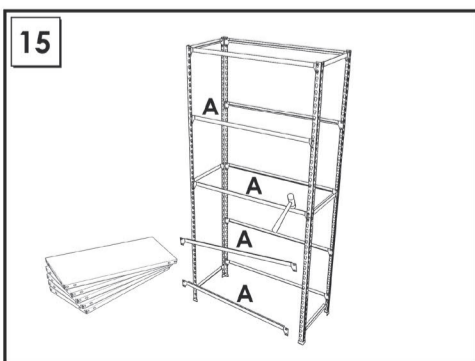
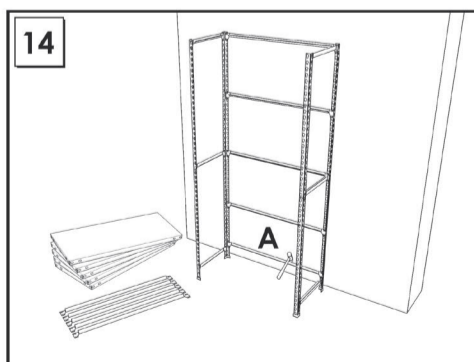
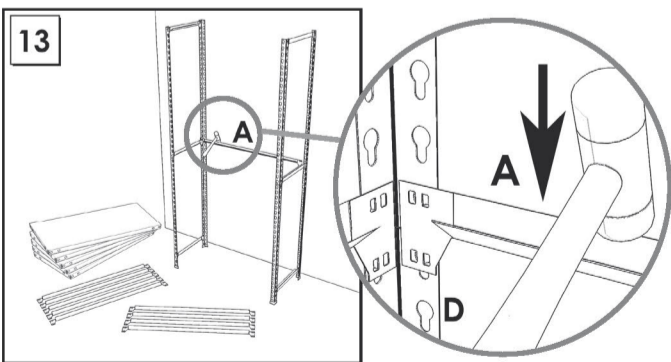
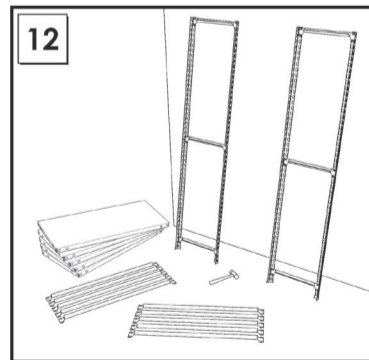
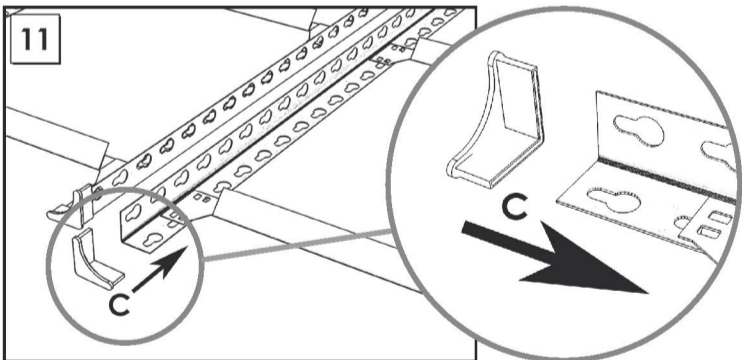
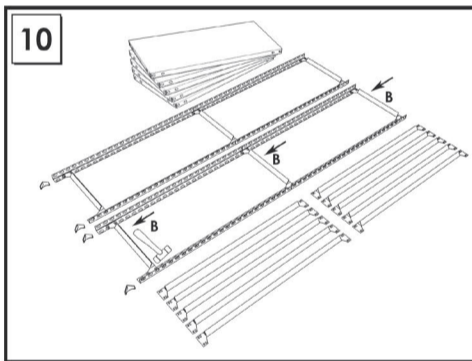
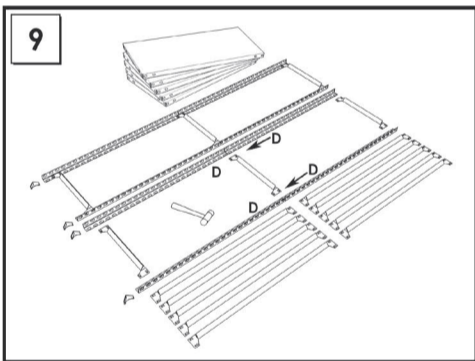
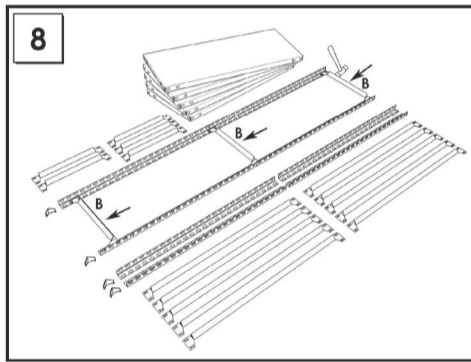
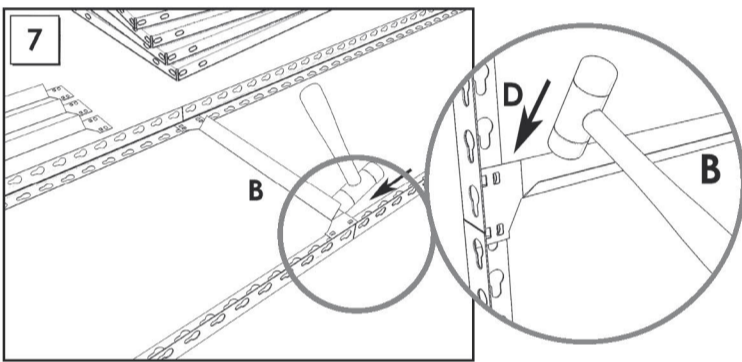
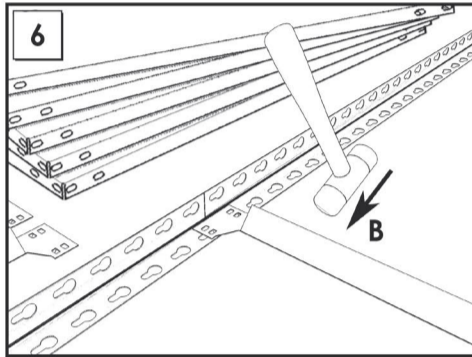
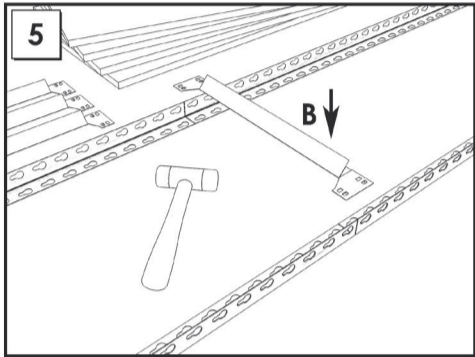
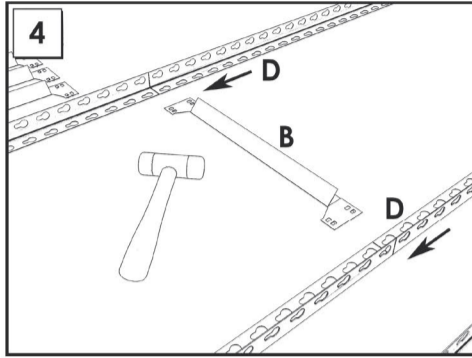
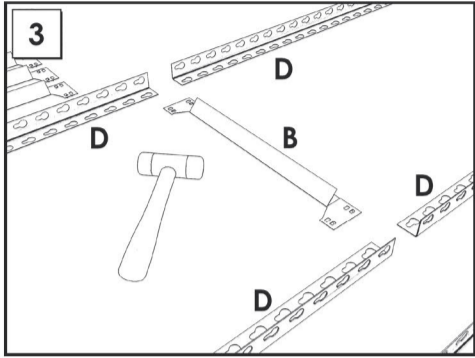
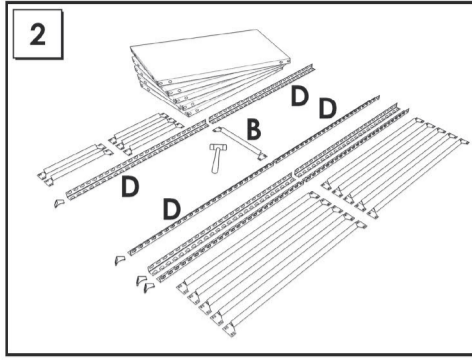
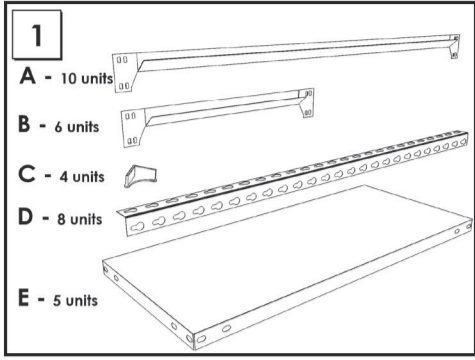
ESTANTERIAS SIMON S.L. B.50.556.463
PG. ALFAMEN C/ POLIGONO C, Nº3
ALFAMEN (ZARAGOZA)



www.simonrack.com



INSTRUCTIONS



On-line instructions: www.instructionsrack.com/simonclick

SIMONCLASSIC



SIMONCLICK



SIMONOFFICE



SIMONTALLER



BANCOS DE TRABAJO WORK BENCHES



SIMONHOME



TAQUILLAS LOCKER



SIMONTITÁN



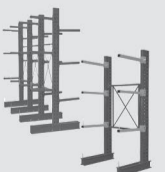
SIMONINOX



SIMONPALET



SIMONLEVER



ALTILLOS Y PASILLOS ELEVADOS PLATFORMS AND MEZZANINES

