

# SIMONWORK BT6 PRO L 1800

*Metal*



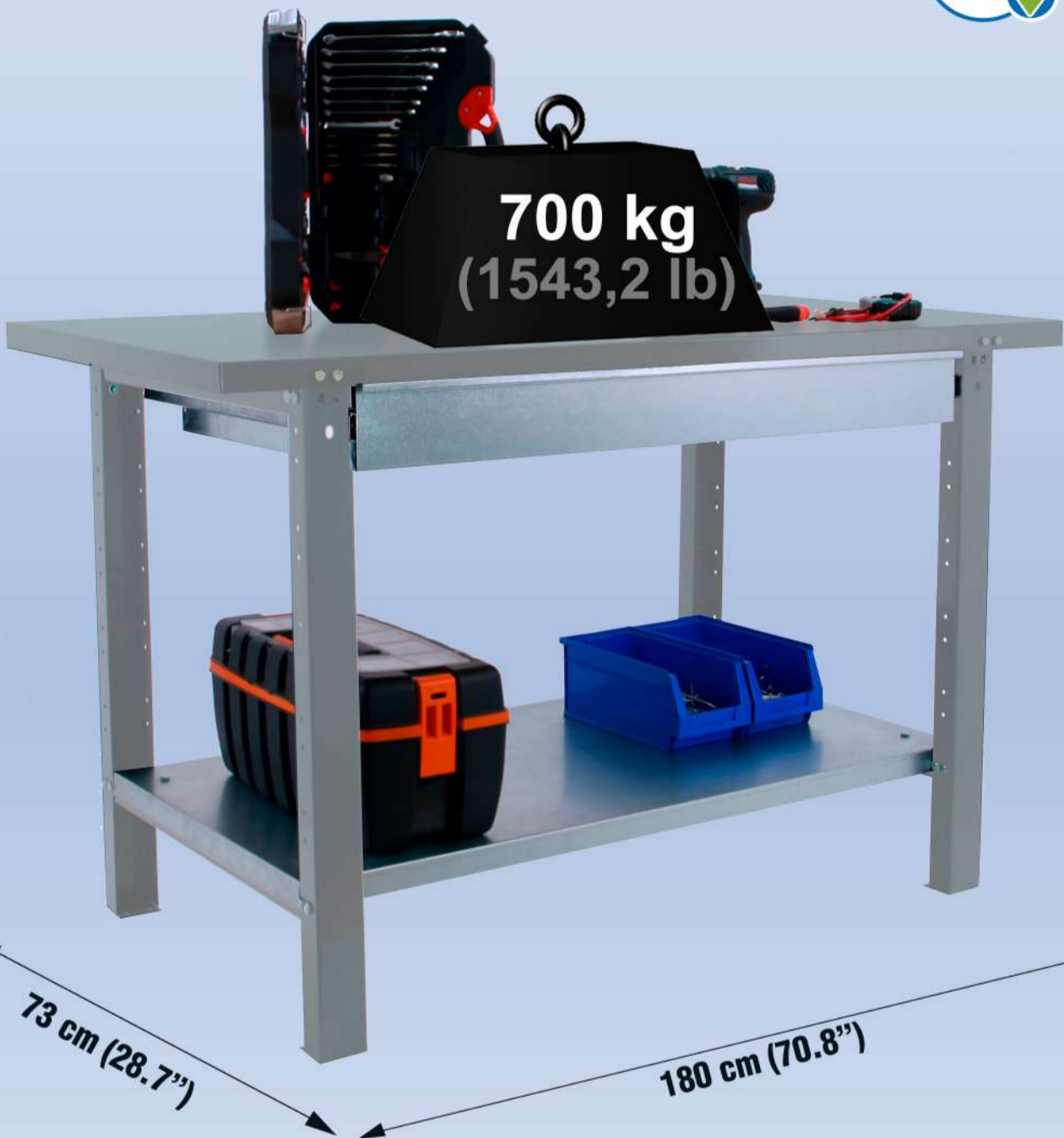
**830 x 1800 x 730 mm**  
**32.6" x 70.8" x 28.7"**



**5** Años Garantía  
 Years Guarantee  
 Jahre Garantie  
 Ans Garantie  
 Anos de Garantia  
**SIMONRACK**



83 cm (32.6")



**700 kg**  
**(1543,2 lb)**

73 cm (28.7")

180 cm (70.8")

- |                                       |                       |                       |   |
|---------------------------------------|-----------------------|-----------------------|---|
| 4 x<br>82,5 cm<br>32.5"               | 2 x<br>72 cm<br>28.3" | 2 x<br>72 cm<br>28.3" | 1 x<br>121.8 cm<br>47.9"                                |
| 1 x<br>121.8 x 63 cm<br>47.9" x 24.8" | 46 x                  | 46 x                  | 1 x<br>73 x 180 cm<br>29.5" x 70.8"                     |
| 4 x                                   | 4 x                   | 2 x<br>58 cm<br>22.8" | 6 x<br>35 kg<br>(80 lb)<br>59 x 120 cm<br>23.2" x 47.2" |



**Simon Rack**  
 SINCE 1964 - MANUFACTURER



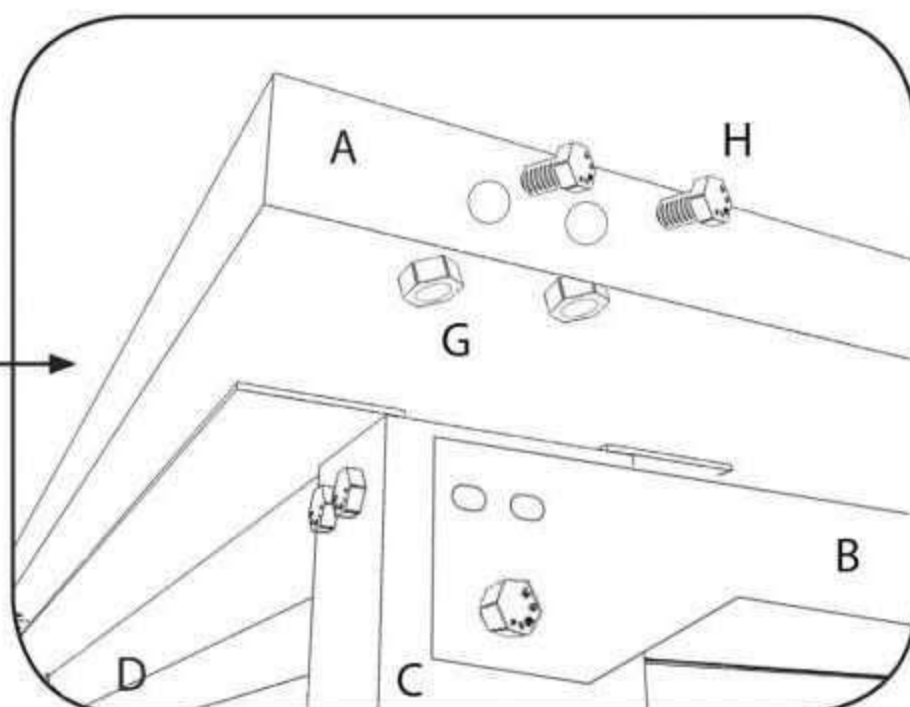
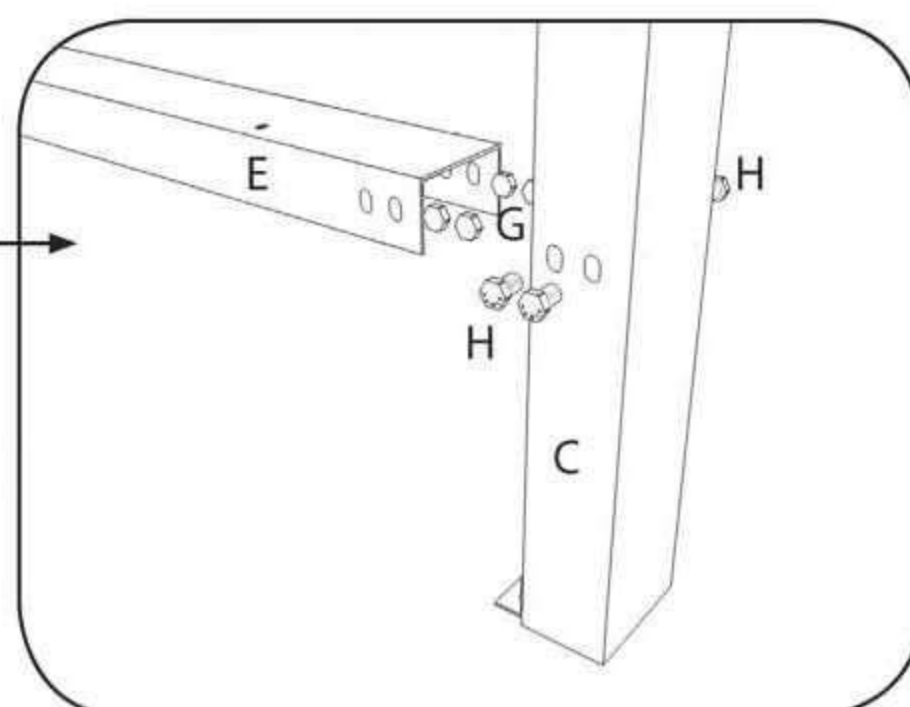
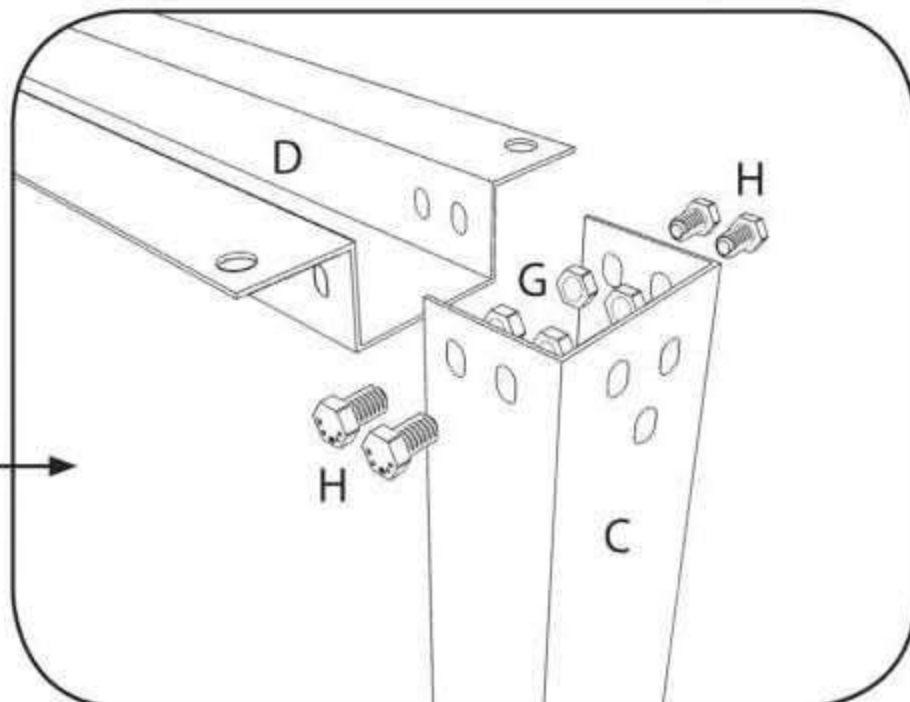
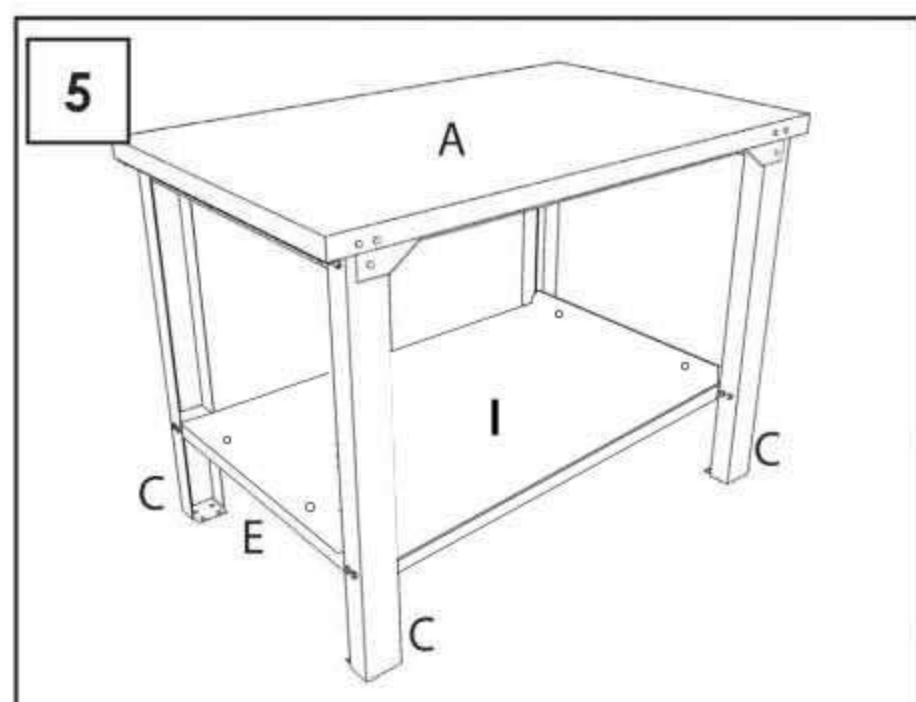
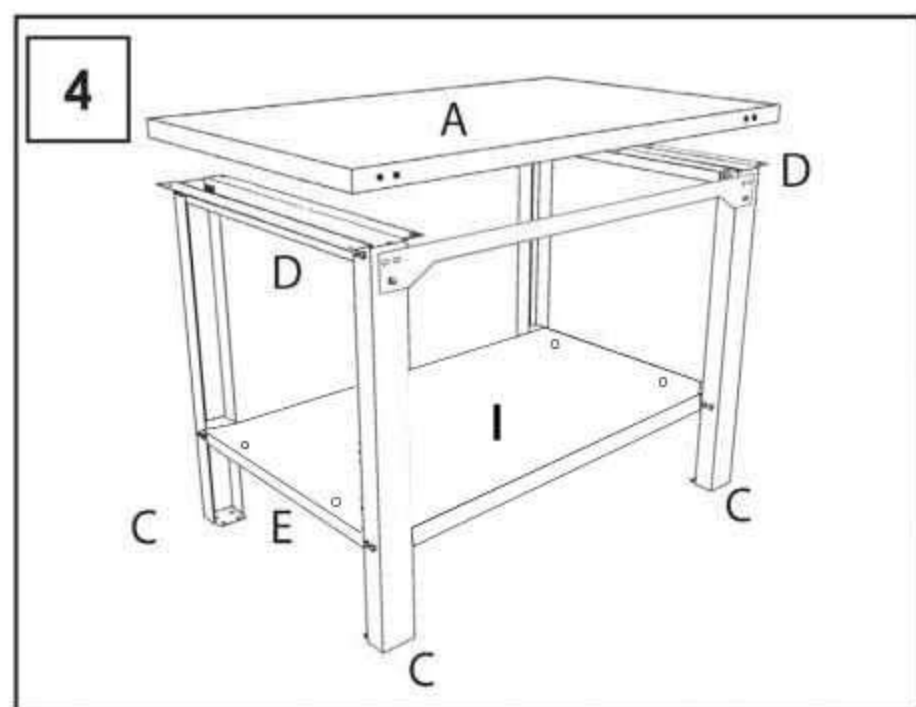
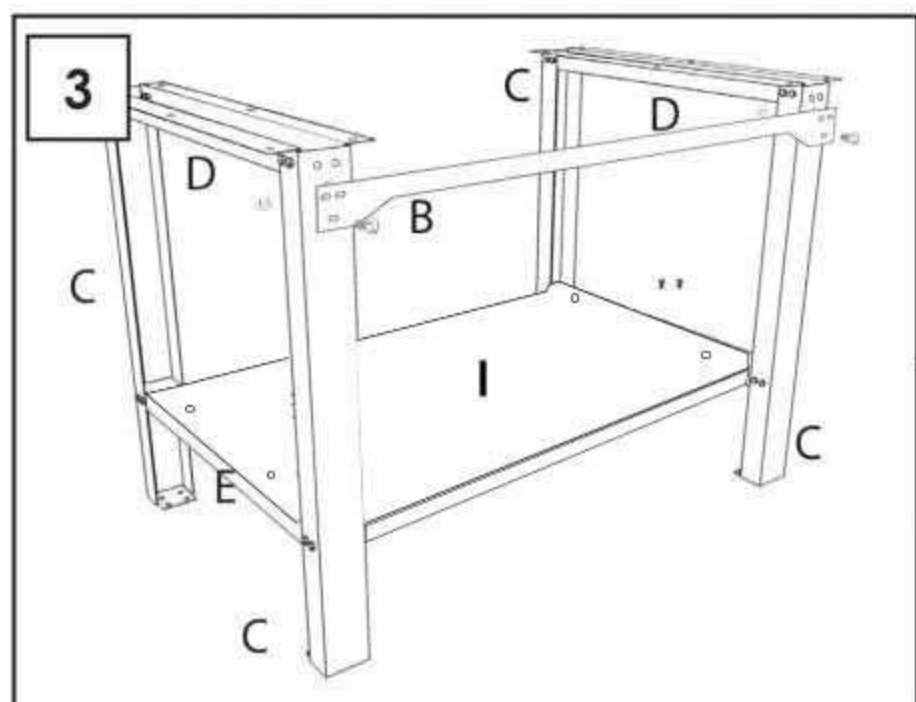
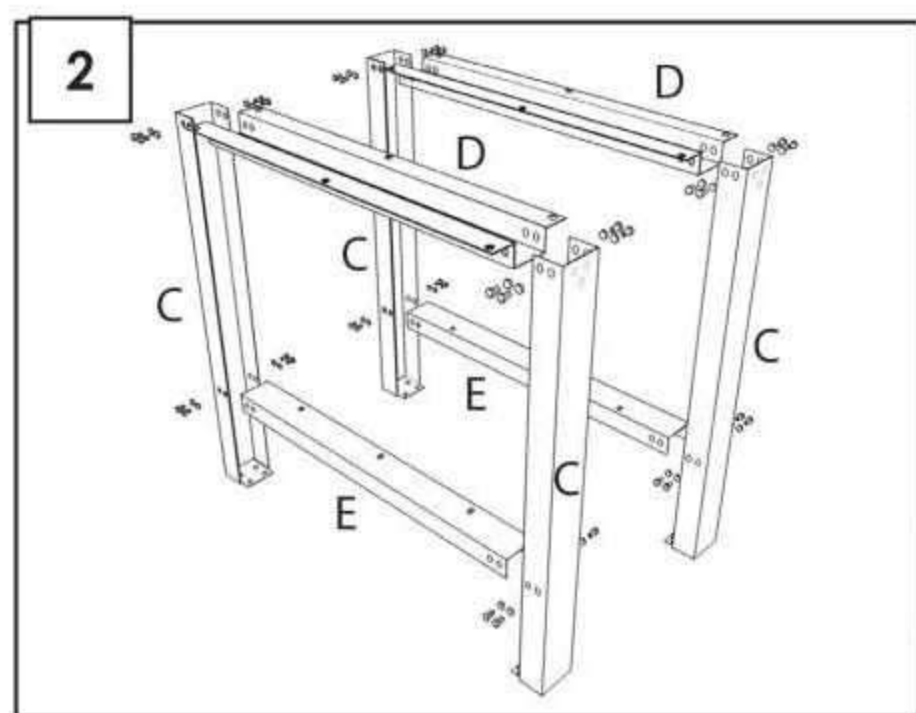
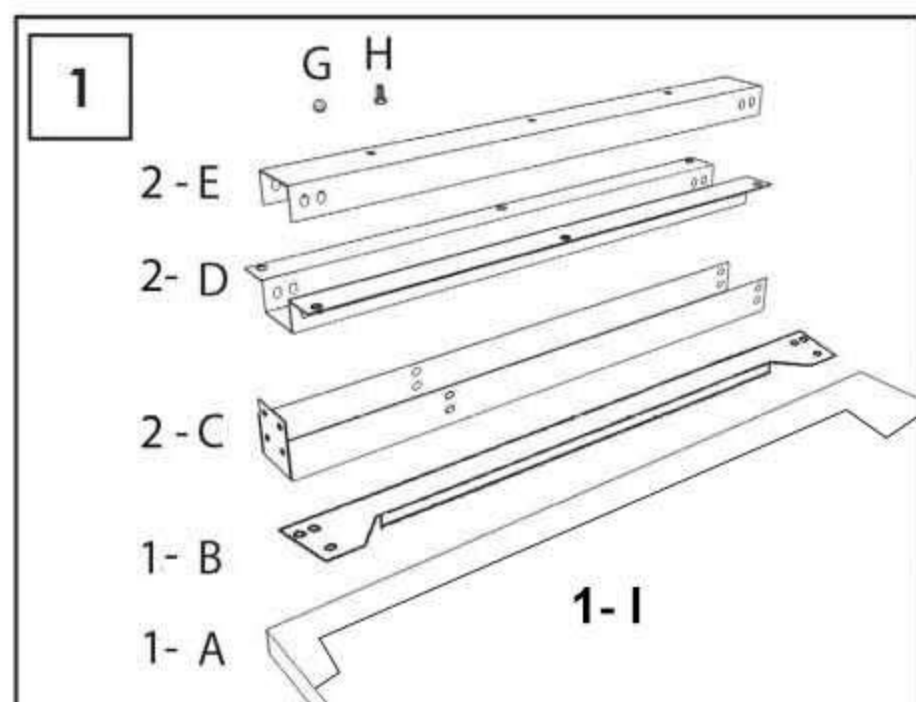
ESTANTERIAS SIMON S.L. B.50.556.463  
 PG. ALFAMEN C/ POLIGONO C. Nº3  
 ALFAMEN (ZARAGOZA)



[www.simonrack.com](http://www.simonrack.com)



INSTRUCCIONES  
 INSTRUCTIONS  
 ANLEITUNG  
 INSTRUCTIONS  
 INSTRUÇÕES



**SIMONCLASSIC**  
  
150 kg  
350 lb

**SIMONCLICK**  
  
400 kg  
900 lb

**SIMONTALLER**  
  
700 kg  
1550 lb

**SIMONAUTO**  
  
300 kg  
660 lb

**SIMONWORK**  
  
800 kg  
1800 lb

**SIMONLOCKER**

**SIMONOFFICE**  
  
275 kg  
600 lb

**SIMONHOME**  
  
150 kg  
350 lb

**SIMONGARDEN**  
  
600 kg  
1350 lb

**SIMONTITAN**     **SIMONINOX**

**SIMONINDUSTRIAL**  
**SIMONPALET**     **SIMONLEVER**  
4500 kg     9950 lb

**ALTILLOS Y PASILLOS ELEVADOS**  
**PLATFORMS AND MEZZANINES**  
**LAGERBÜHNEN • PLATES-FORMES ET MEZZANINES**

\* Kg / lb por bandeja con carga uniformemente repartida.  
Kg / lb per shelf uniformly distributed load  
Kg / lb pro fach bei gleichmäßig verteilter last  
Kg / lb par plateau avec charge uniformément répartie

www.simonrack.com • www.simonrack.com • www.simonrack.com • www.simonrack.com • www.simonrack.com • www.simonrack.com