

# SIMONWORK BT6 PRO L 1500

*Metal*



**830 x 1500 x 730 mm**  
**35.4" X 82.6" X 23.6"**



**5** Años Garantía  
 Years Guarantee  
 Jahre Garantie  
 Ans Garantie  
 Anos de Garantia  
**SIMONRACK**



**700 kg**  
**(1543,2 lb)**

83 cm (32.6")

73 cm (28.7")

150 cm (59")

- |  |                                  |                                  |  |
|--|----------------------------------|----------------------------------|--|
| <b>4 x</b><br><br>82,5 cm<br>32.5"               | <b>2 x</b><br><br>72 cm<br>28.3" | <b>2 x</b><br><br>72 cm<br>28.3" | <b>1 x</b><br><br>121.8 cm<br>47.9"        |
| <b>1 x</b><br><br>121.8 x 63 cm<br>47.9" x 24.8" | <b>46 x</b><br><br>46 x          | <b>46 x</b><br><br>46 x          | <b>1 x</b><br><br>73x150 cm<br>29.5" x 59" |



**Simon Rack**  
 SINCE 1964 - MANUFACTURER



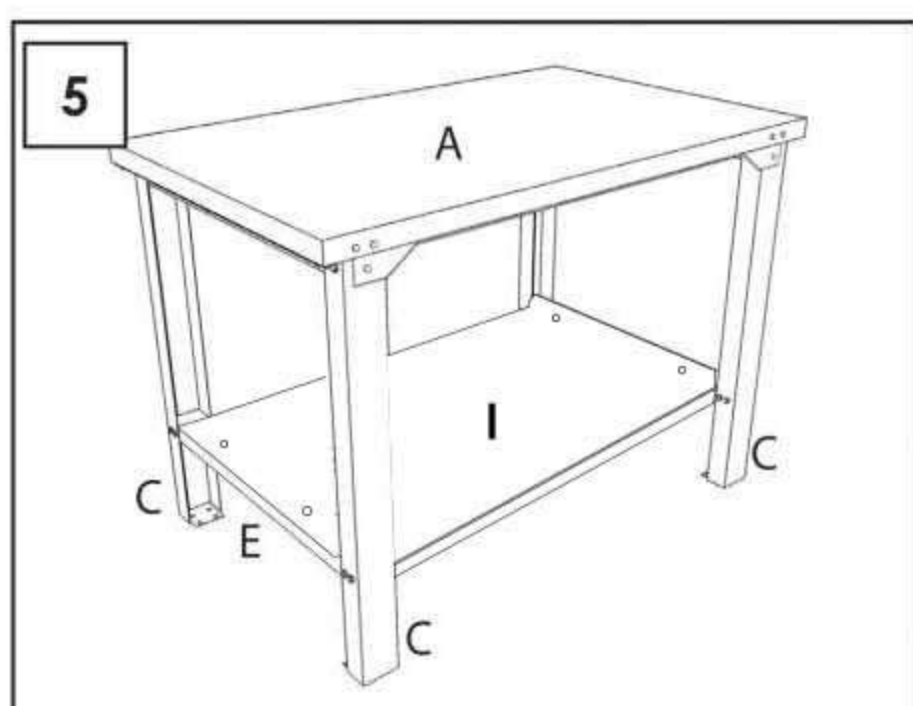
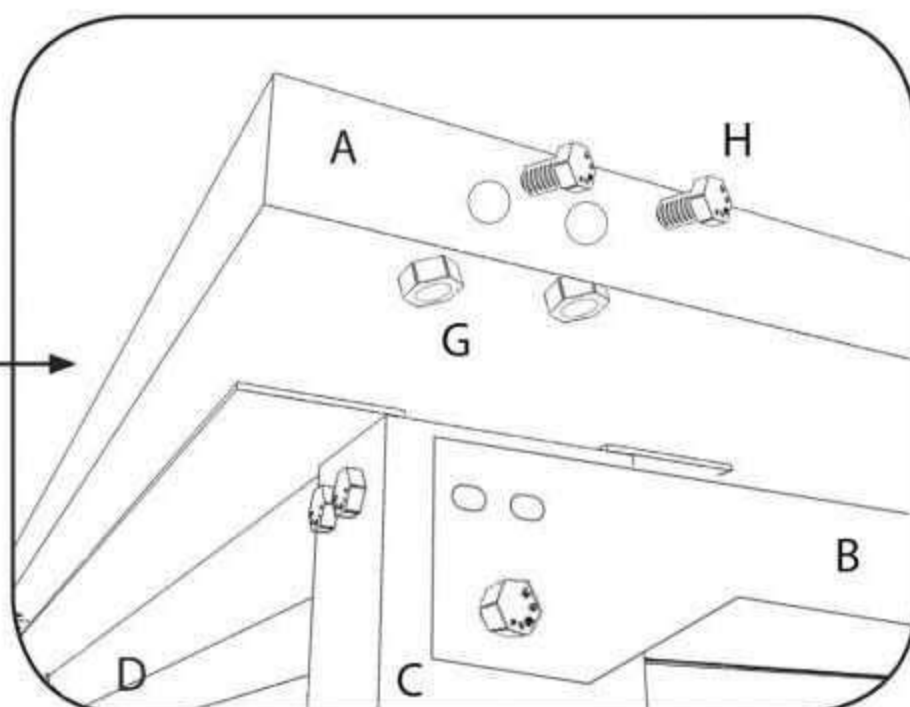
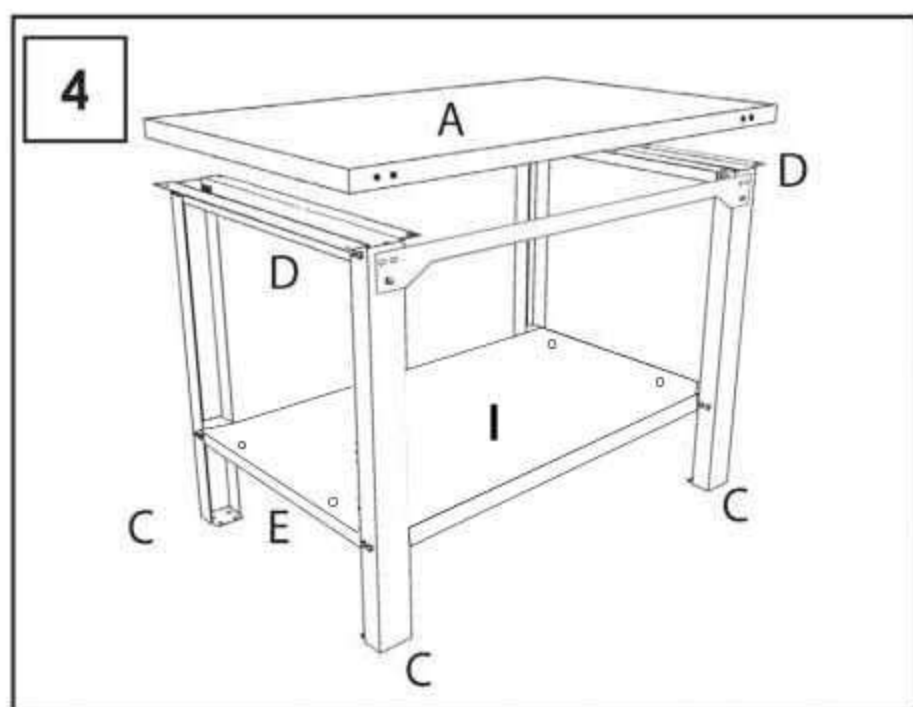
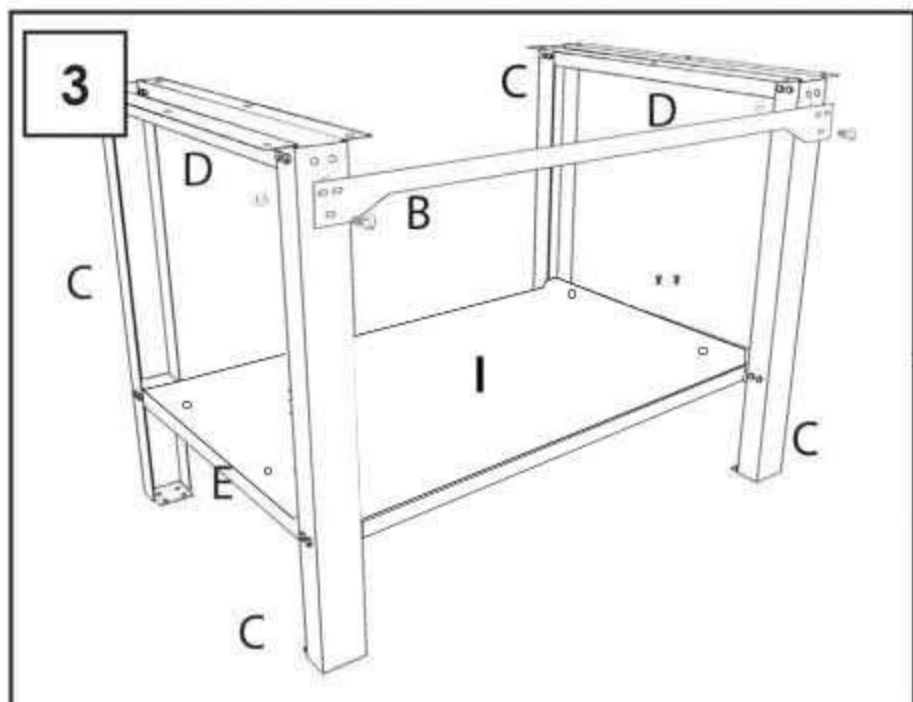
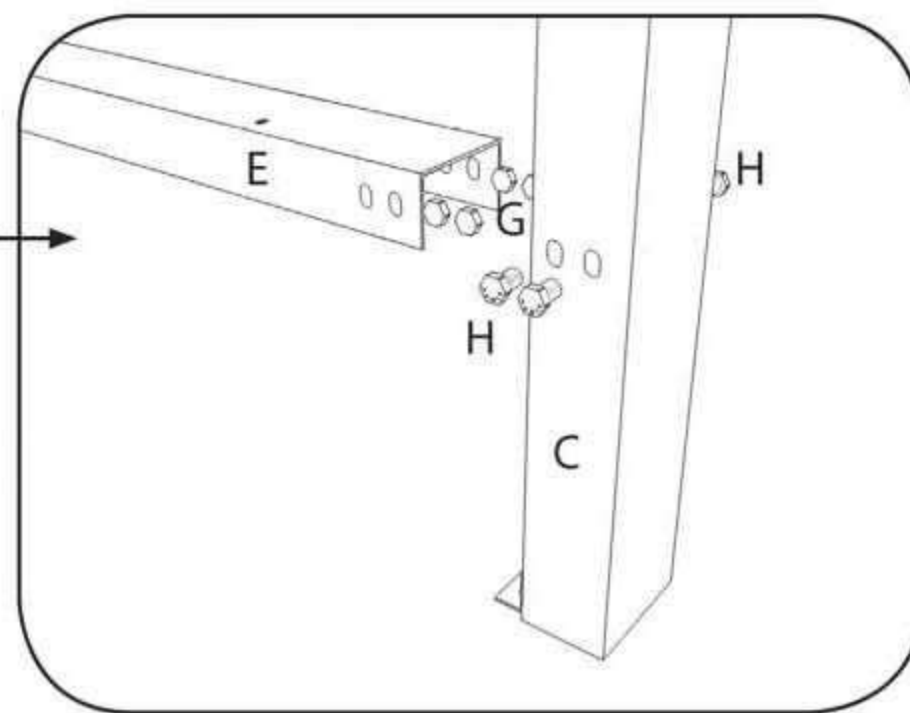
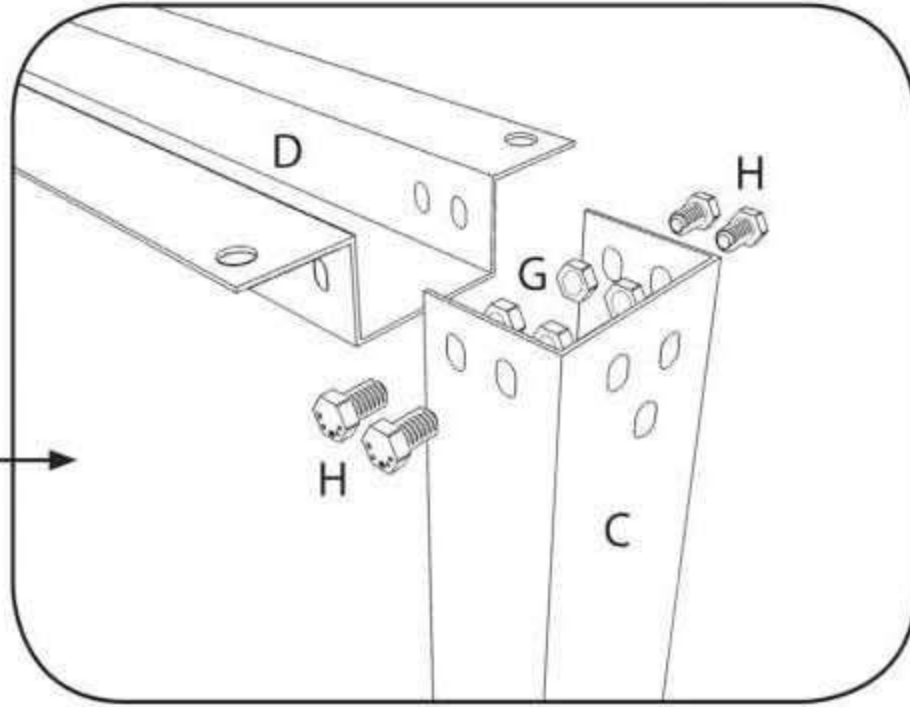
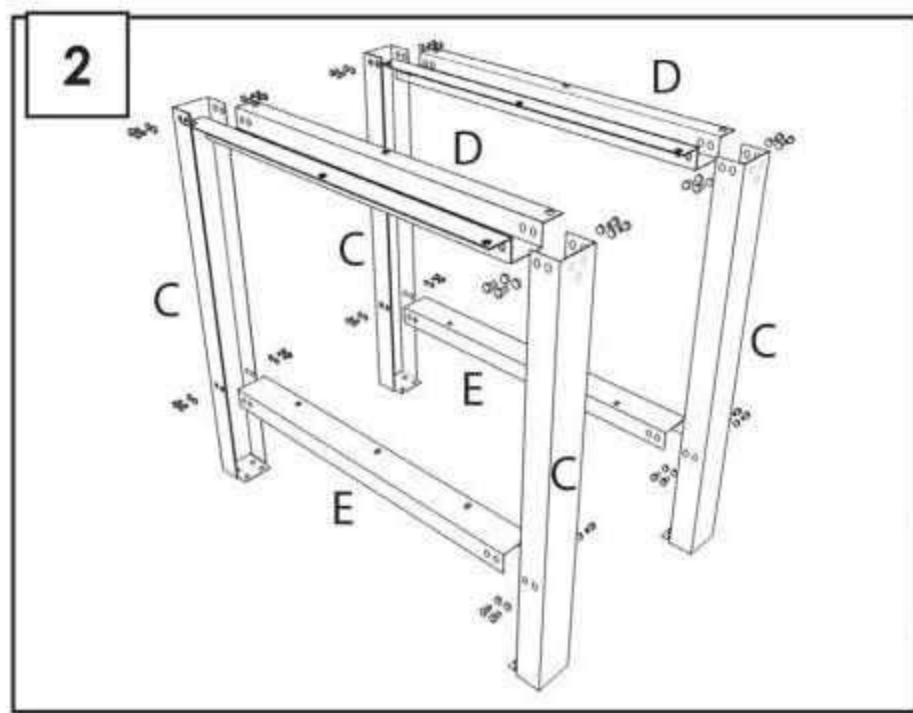
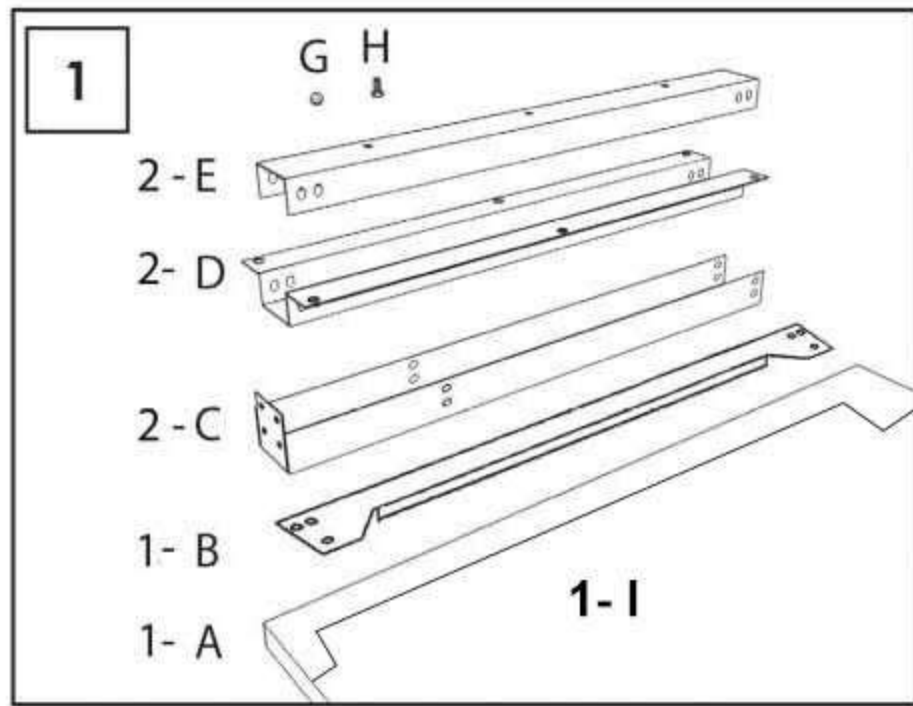
ESTANTERIAS SIMON S.L. B.50.556.463  
 PG. ALFAMEN C/ POLIGONO C. Nº3  
 ALFAMEN (ZARAGOZA)



[www.simonrack.com](http://www.simonrack.com)



INSTRUCCIONES  
 INSTRUCTIONS  
 ANLEITUNGS  
 INSTRUCCIONES



**SIMONCLASSIC**

150 kg  
350 lb

**SIMONCLICK**

400 kg  
900 lb

**SIMONTALLER**

700 kg  
1550 lb

**SIMONAUTO**

300 kg  
660 lb

**SIMONWORK**

800 kg  
1800 lb

**SIMONLOCKER**

**SIMONOFFICE**

275 kg  
600 lb

**SIMONHOME**

150 kg  
350 lb

**SIMONGARDEN**

600 kg  
1350 lb

**SIMONTITAN**      **SIMONINOX**

900 kg  
1990 lb

**SIMONINDUSTRIAL**

**SIMONPALET**      **SIMONLEVER**

4500 kg  
9950 lb

ALTILLOS Y PASILLOS ELEVADOS  
PLATFORMS AND MEZZANINES  
LAGERBÜHNEN • PLATES-FORMES ET MEZZANINES

\* Kg / lb por bandeja con carga uniformemente repartida  
Kg / lb per shelf uniformly distributed load  
Kg / lb pro fach bei gleichmäßig verteilter last  
Kg / lb par plateau avec charge uniformément répartie

www.simonrack.com • www.instructionsrack.com

