

# SIMONWORK BT6 PRO L BOX 1500

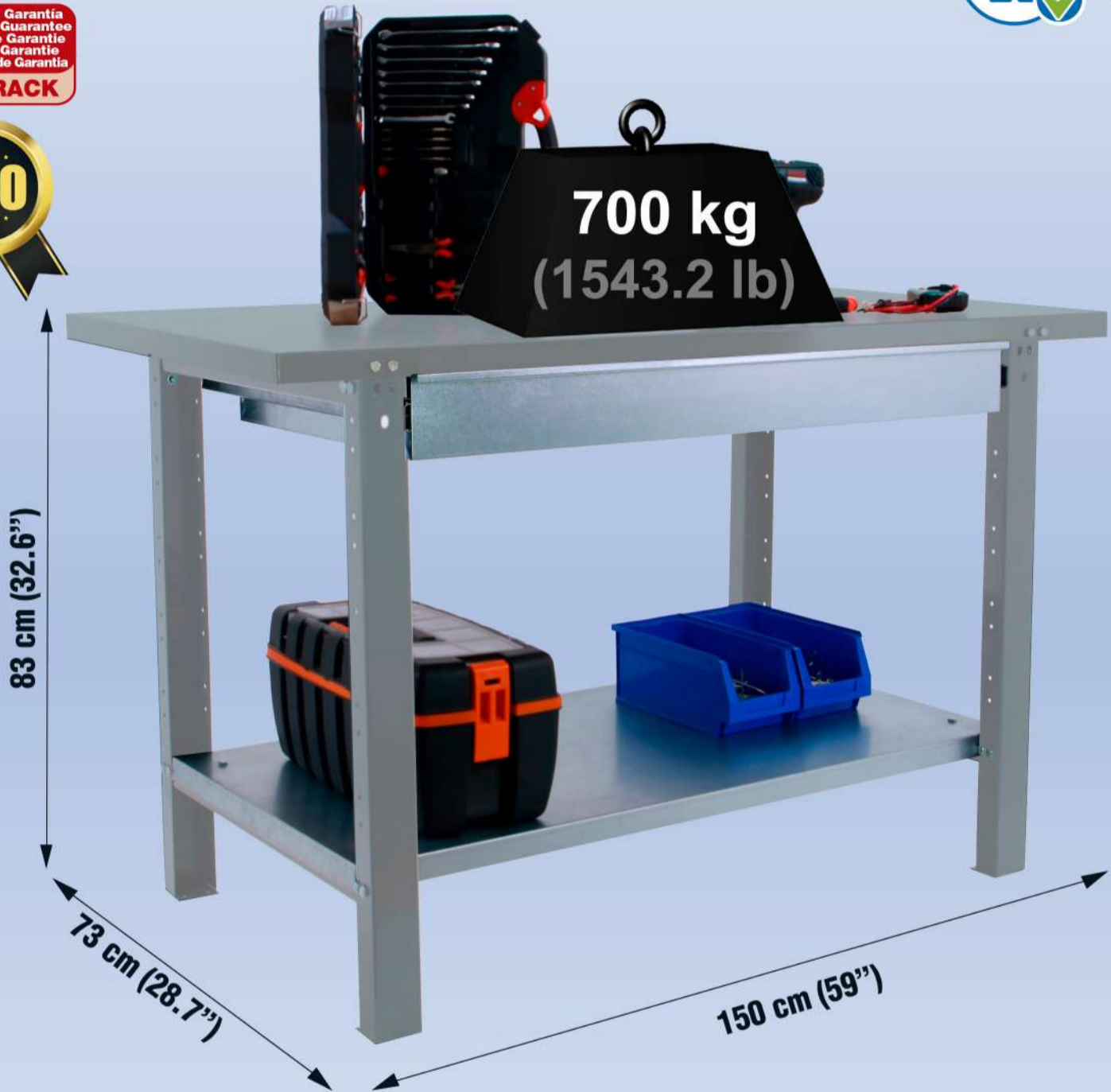
*Metal*



**83 x 150 x 73 mm**  
**32.6" x 59" x 28.7"**



**5** Años Garantía  
 Years Guarantee  
 Jahre Garantie  
 Ans Garantie  
 Anos de Garantia  
**SIMONRACK**



- |  |                              |   |  |
|--|------------------------------|---|--|
| <b>4 x</b><br>82,5 cm<br>32.5"               | <b>2 x</b><br>72 cm<br>28.3" | <b>2 x</b><br>72 cm<br>28.3"                                  | <b>1 x</b><br>121.8 cm<br>47.9"        |
| <b>1 x</b><br>121.8 x 63 cm<br>47.9" x 24.8" | <b>46x</b>                   | <b>46x</b>  | <b>1 x</b><br>73x150 cm<br>29.5" x 59" |
| <b>4 x</b>                                   | <b>2 x</b><br>58 cm<br>22.8" | <b>1 x</b><br>35 kg<br>(80 lb)<br>56x 120 cm<br>22.0" x 47.9" |  |



**Simon Rack**  
 SINCE 1964 - MANUFACTURER



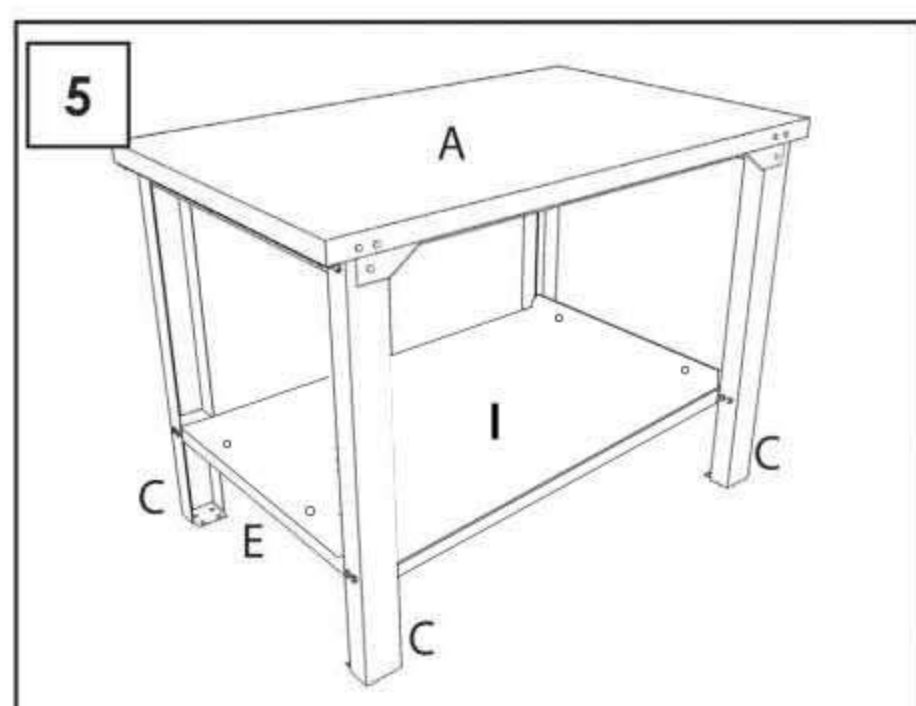
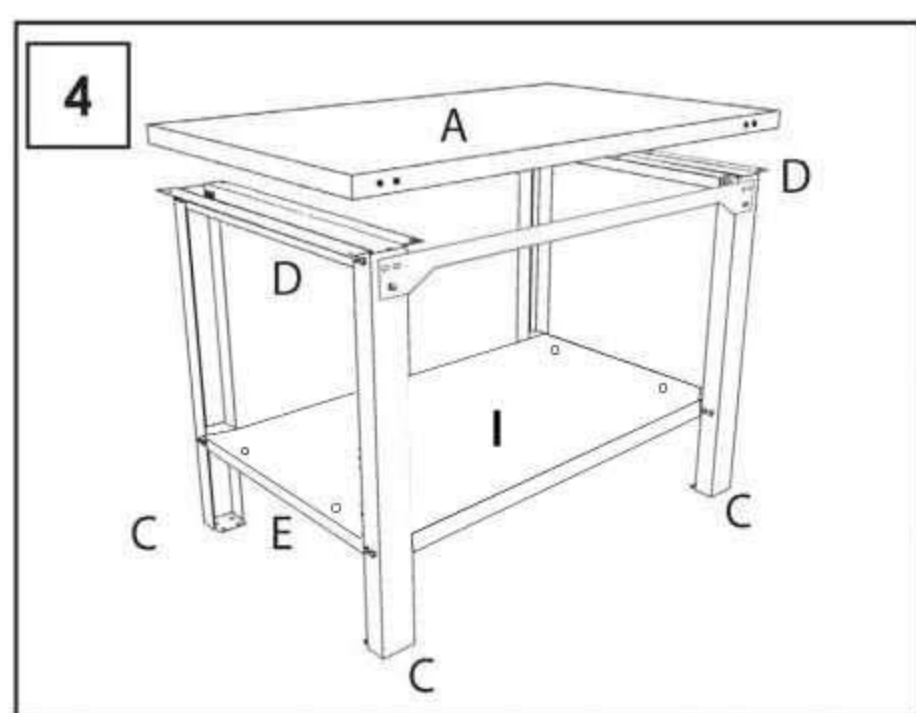
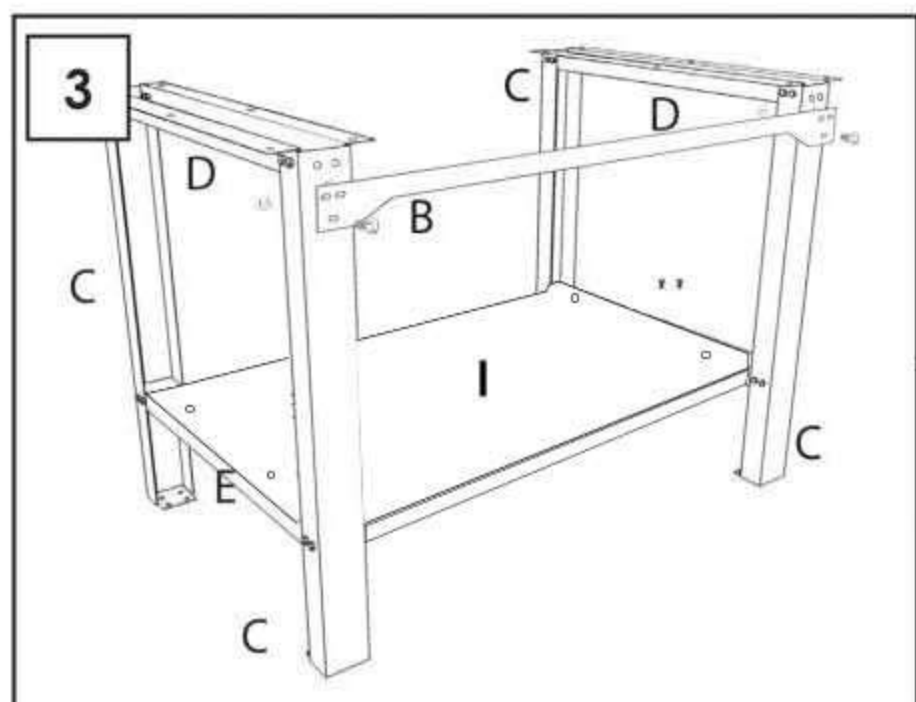
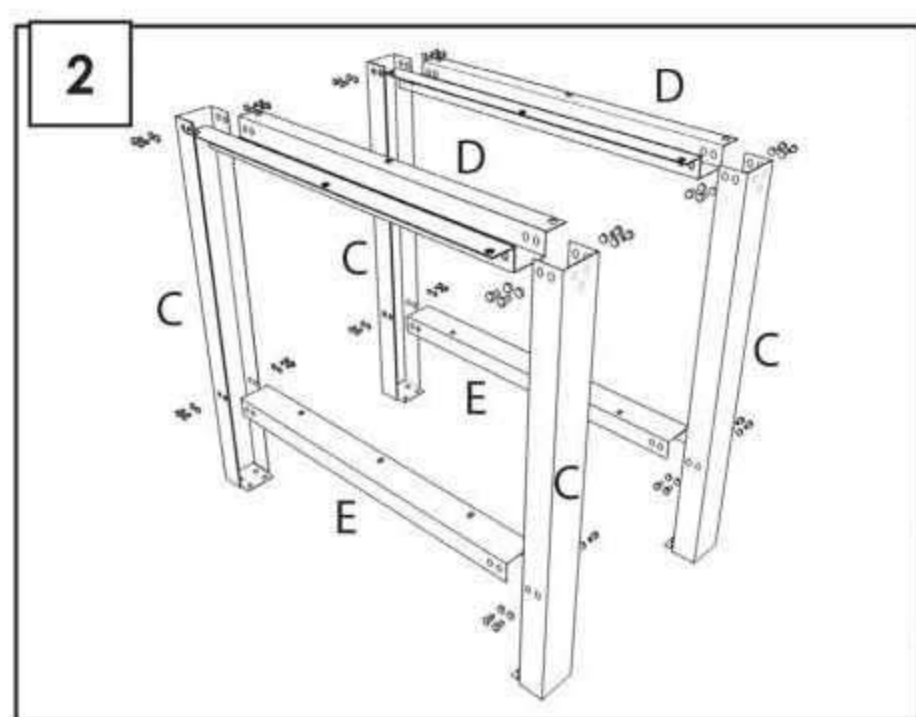
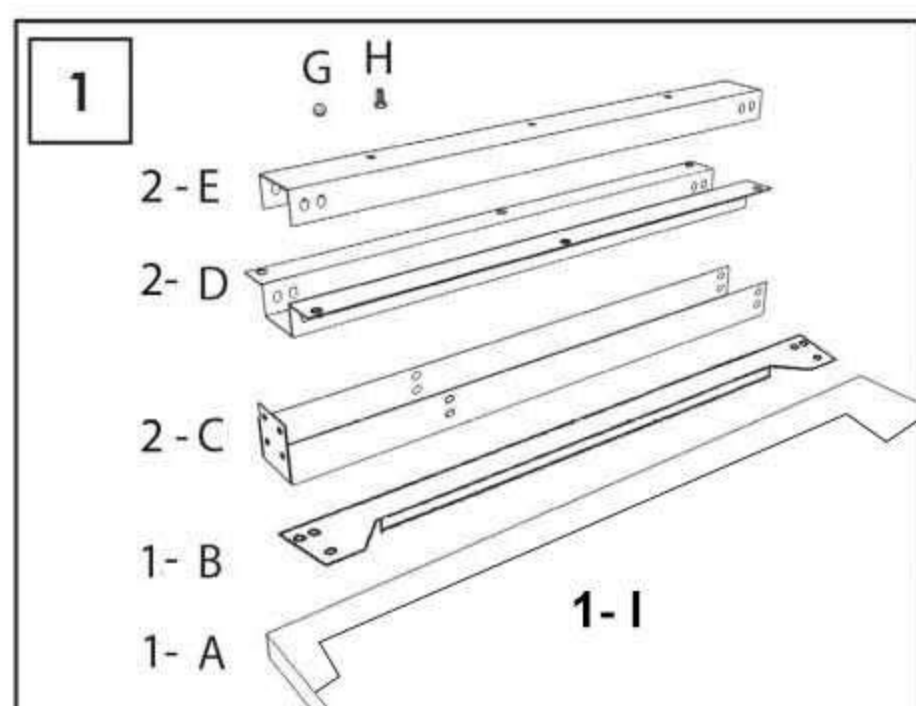
ESTANTERIAS SIMON S.L. B.50.556.463  
 PG. ALFAMEN C/ POLIGONO C. Nº3  
 ALFAMEN (ZARAGOZA)



[www.simonrack.com](http://www.simonrack.com)



INSTRUCCIONES  
 INSTRUCTIONS  
 ANLEITUNG  
 INSTRUÇÕES



**SIMONCLASSIC**  
150 kg / 350 lb

**SIMONCLICK**  
400 kg / 900 lb

**SIMONTALLER**  
700 kg / 1550 lb

**SIMONAUTO**  
300 kg / 650 lb

**SIMONWORK**  
800 kg / 1800 lb

**SIMONLOCKER**

**SIMONOFFICE**  
275 kg / 600 lb

**SIMONHOME**  
150 kg / 350 lb

**SIMONGARDEN**  
600 kg / 1350 lb

**SIMONTITAN**      **SIMONINOX**

**SIMONINDUSTRIAL**  
SIMONPALET      SIMONLEVER  
4500 kg / 9950 lb

**ALTILLOS Y PASILLOS ELEVADOS  
PLATFORMS AND MEZZANINES  
LAGERBÜHNEN • PLATES-FORMES ET MEZZANINES**

\* Kg / lb por bandeja con carga uniformemente repartida  
Kg / lb per shelf uniformly distributed load  
Kg / lb pro fach bei gleichmäßig verteilter last  
Kg / lb par plateau avec charge uniformément répartie

www.instructionsrack.com

www.simonrack.com • www.simonrack.com • www.simonrack.com • www.simonrack.com • www.simonrack.com • www.simonrack.com • www.simonrack.com • www.simonrack.com

