

# SIMONWORK

# BT6 PRO TRIPLE

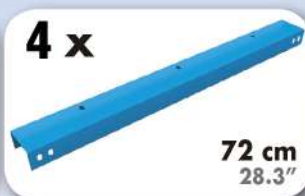
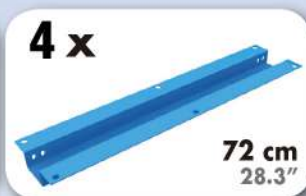
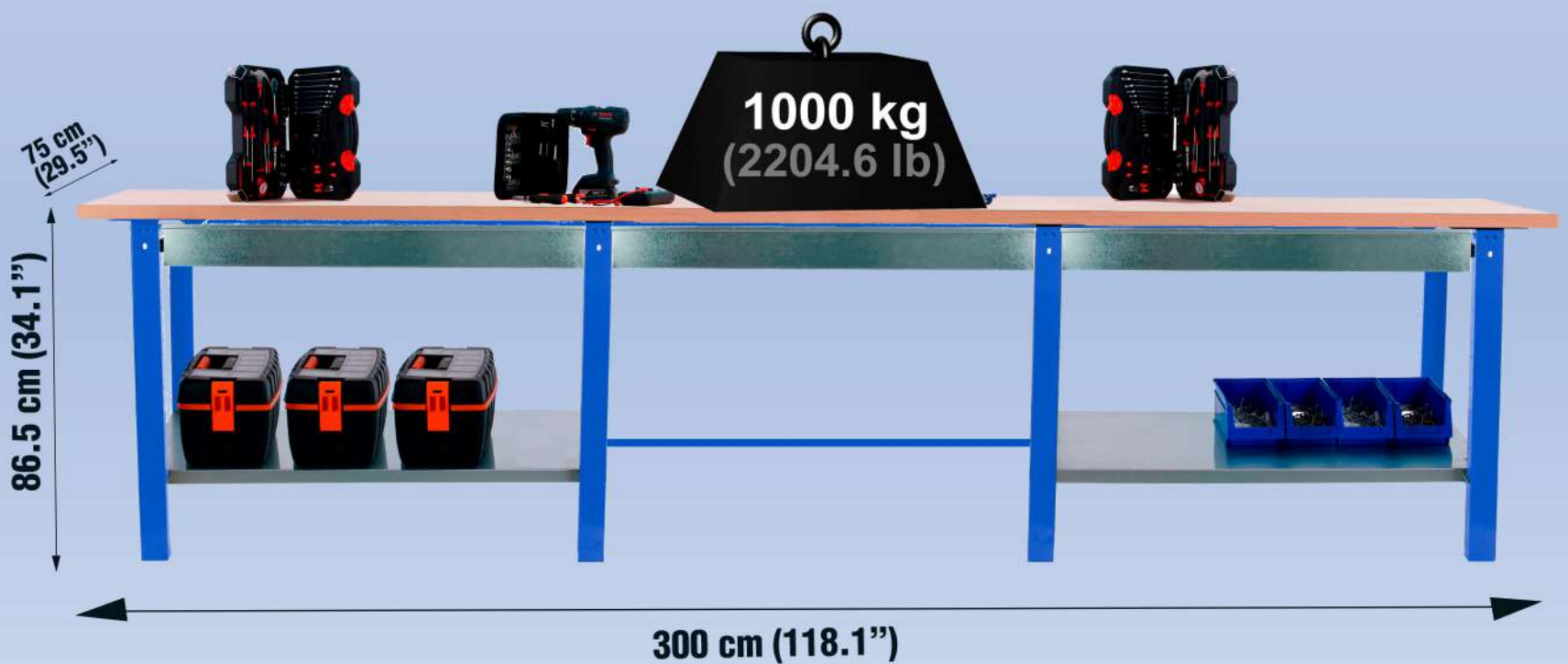
## Laminate



## 86.5 x 300 x 75 cm 34" x 118.1" x 29.5"



**5** Años Garantía  
Years Guarantee  
Jahre Garantie  
Ans Garantie  
Anos de Garantia  
**SIMONRACK**



**Simon  
Rack**  
SINCE 1964 - MANUFACTURER

ESTANTERIAS SIMON S.L. B.50.556.463  
PG. ALFAMEN C/ POLIGONO C. Nº3  
ALFAMEN (ZARAGOZA)



[www.simonrack.com](http://www.simonrack.com)

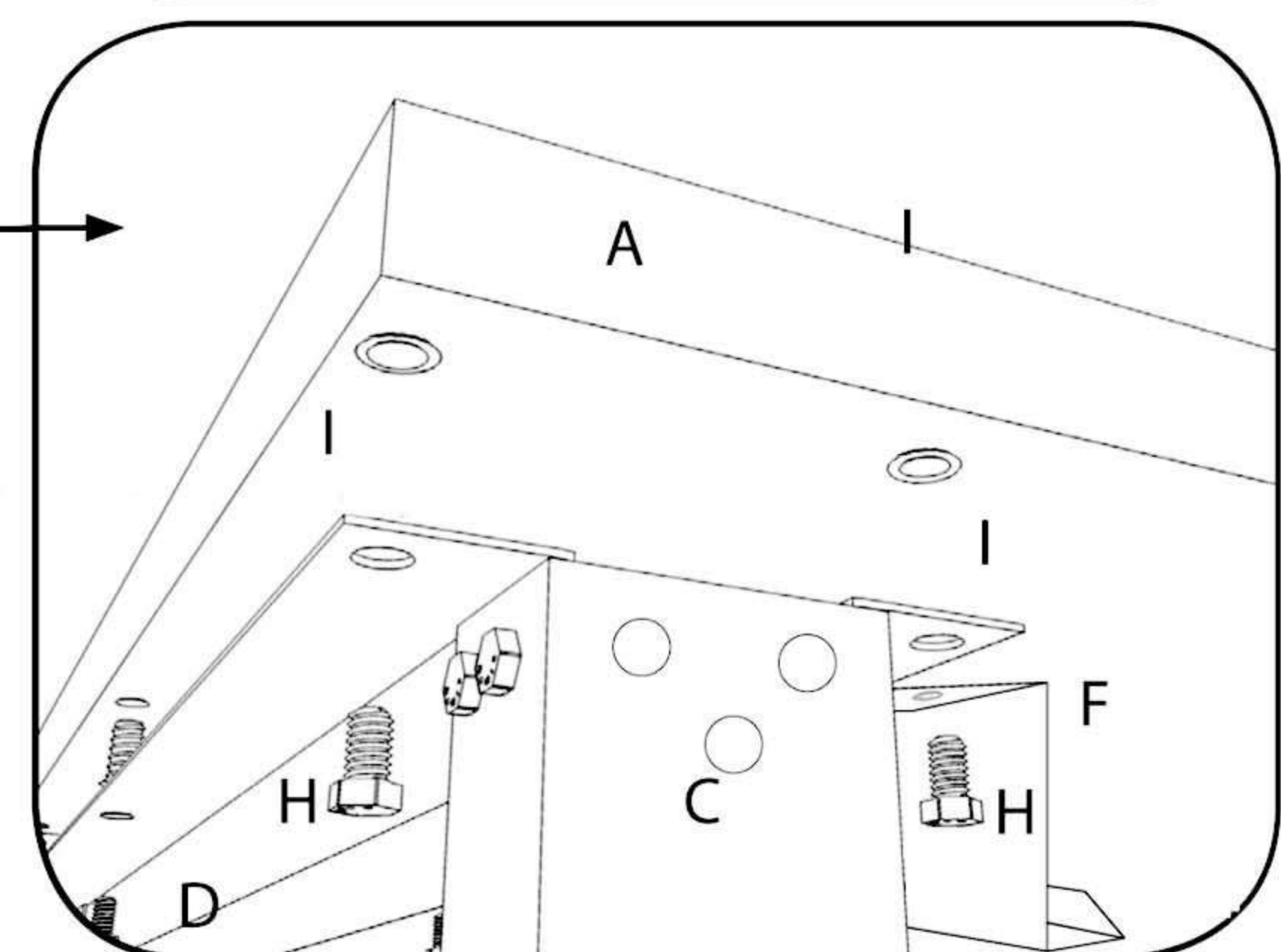
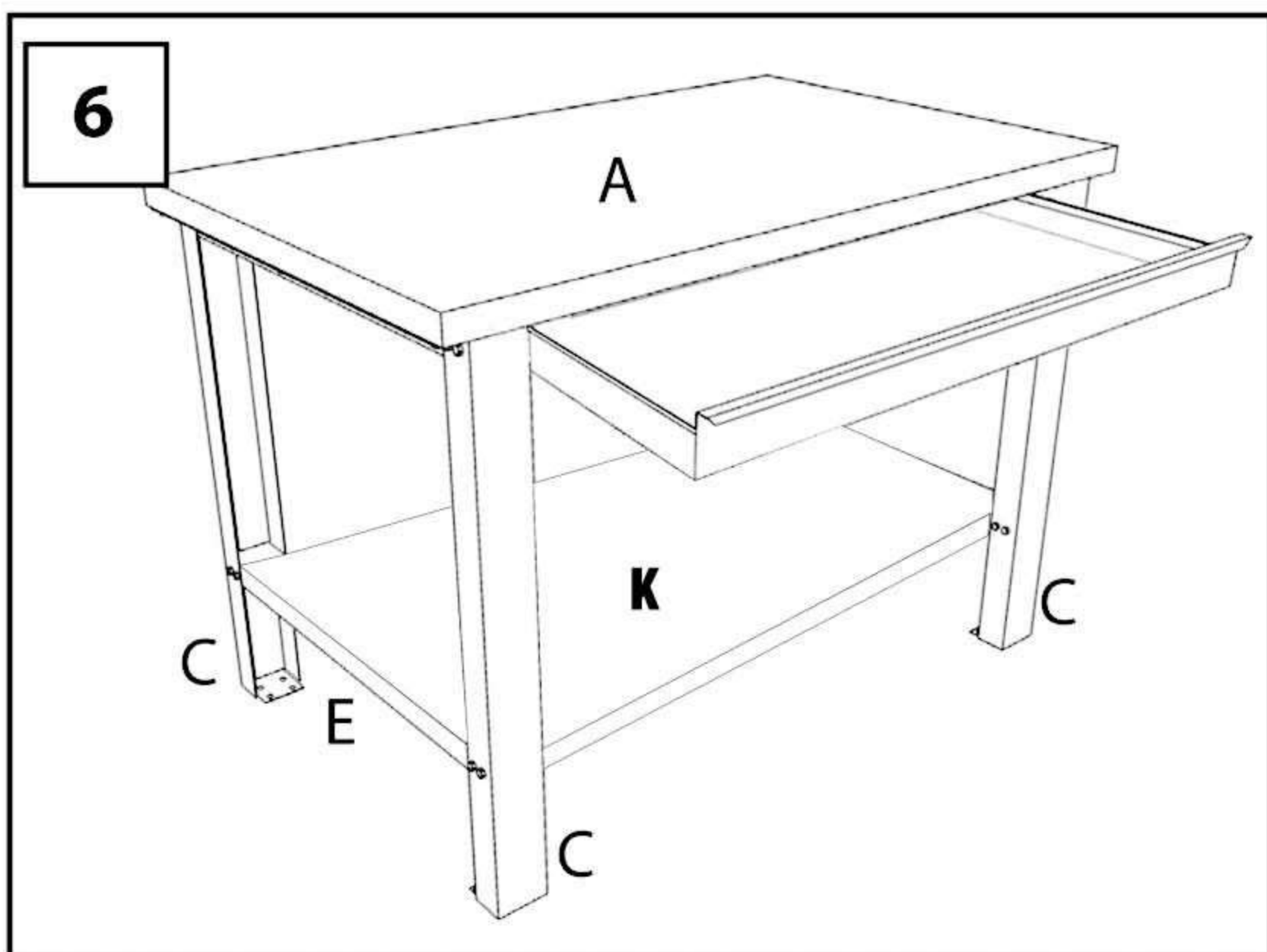
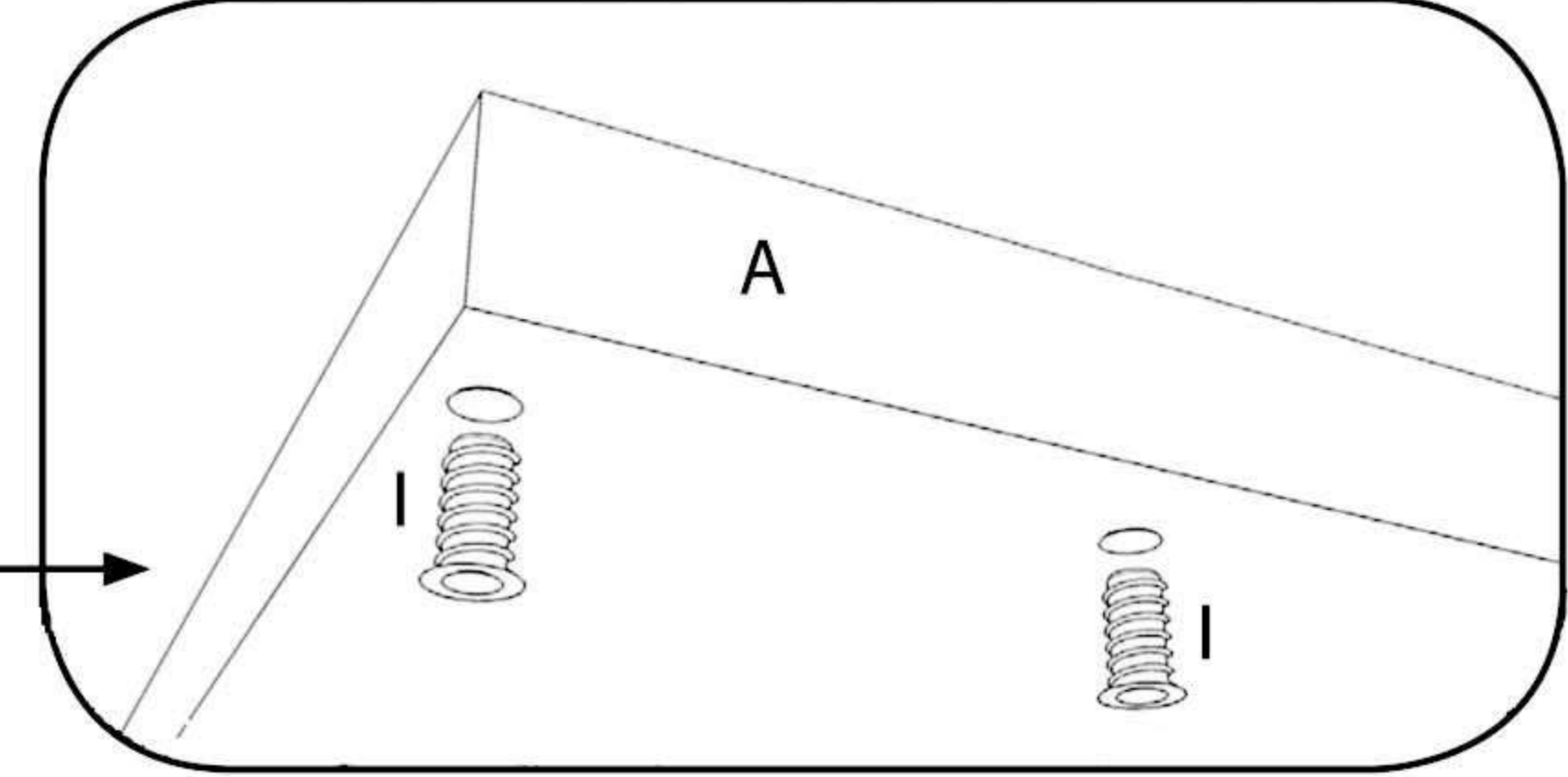
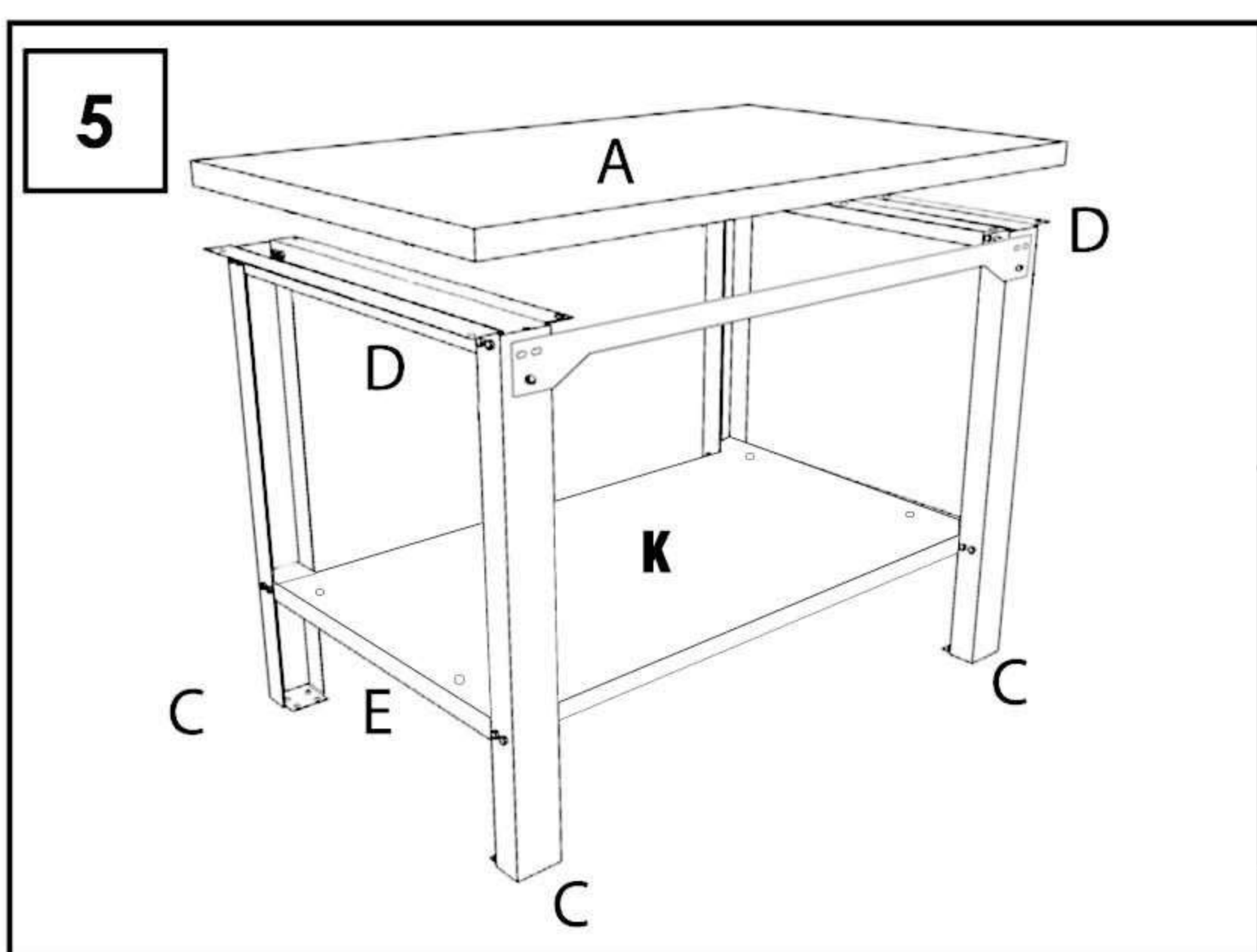
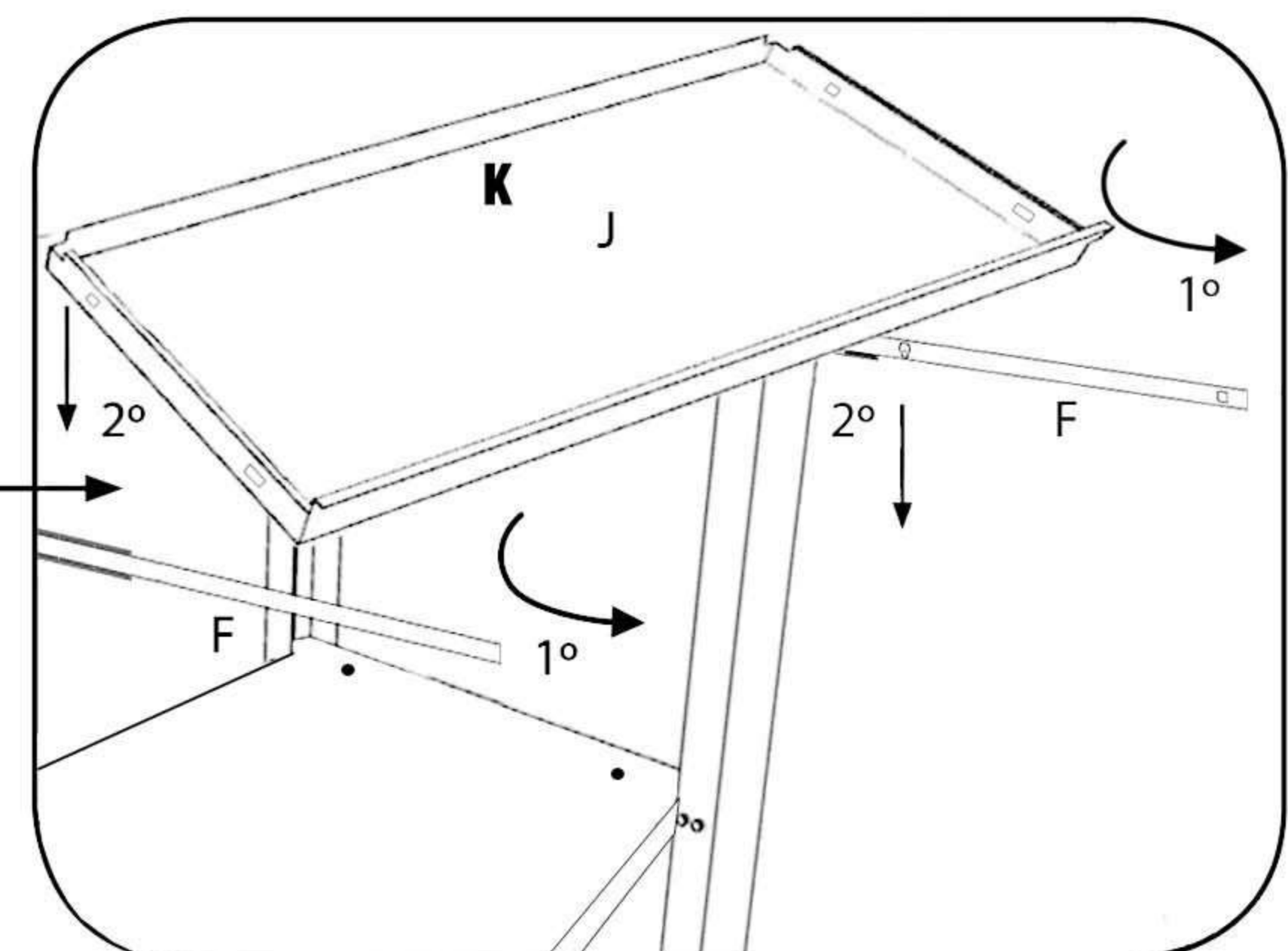
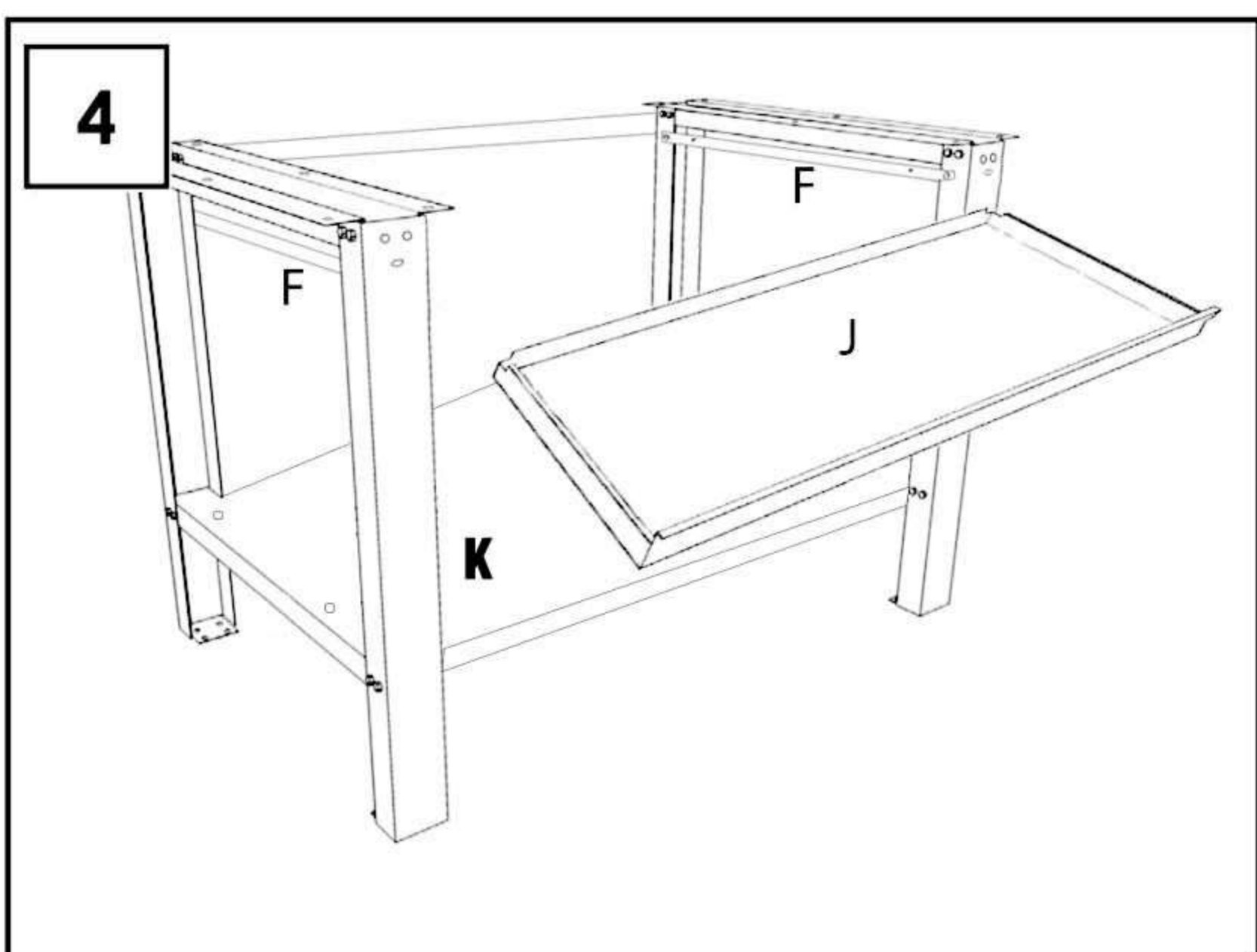
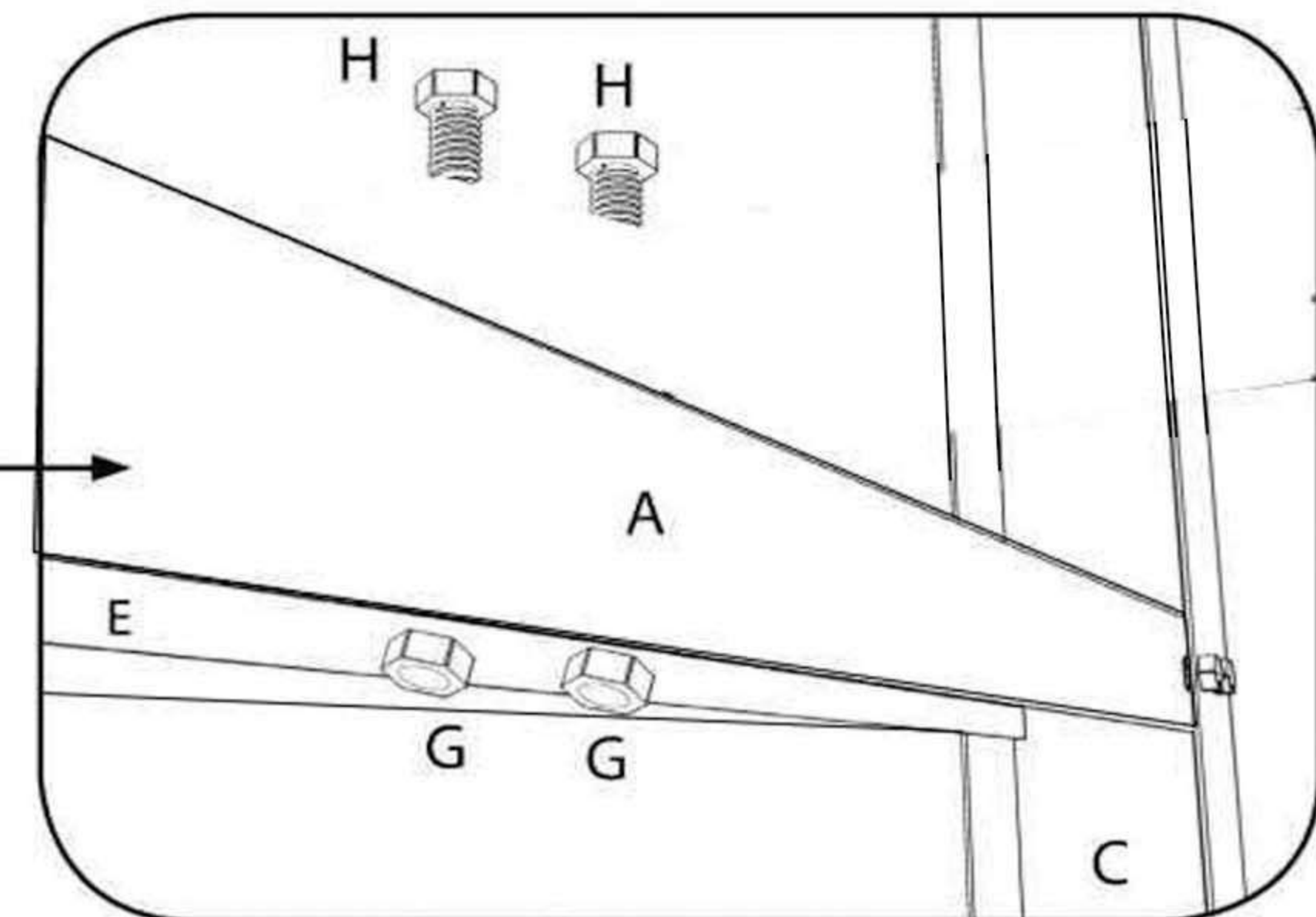
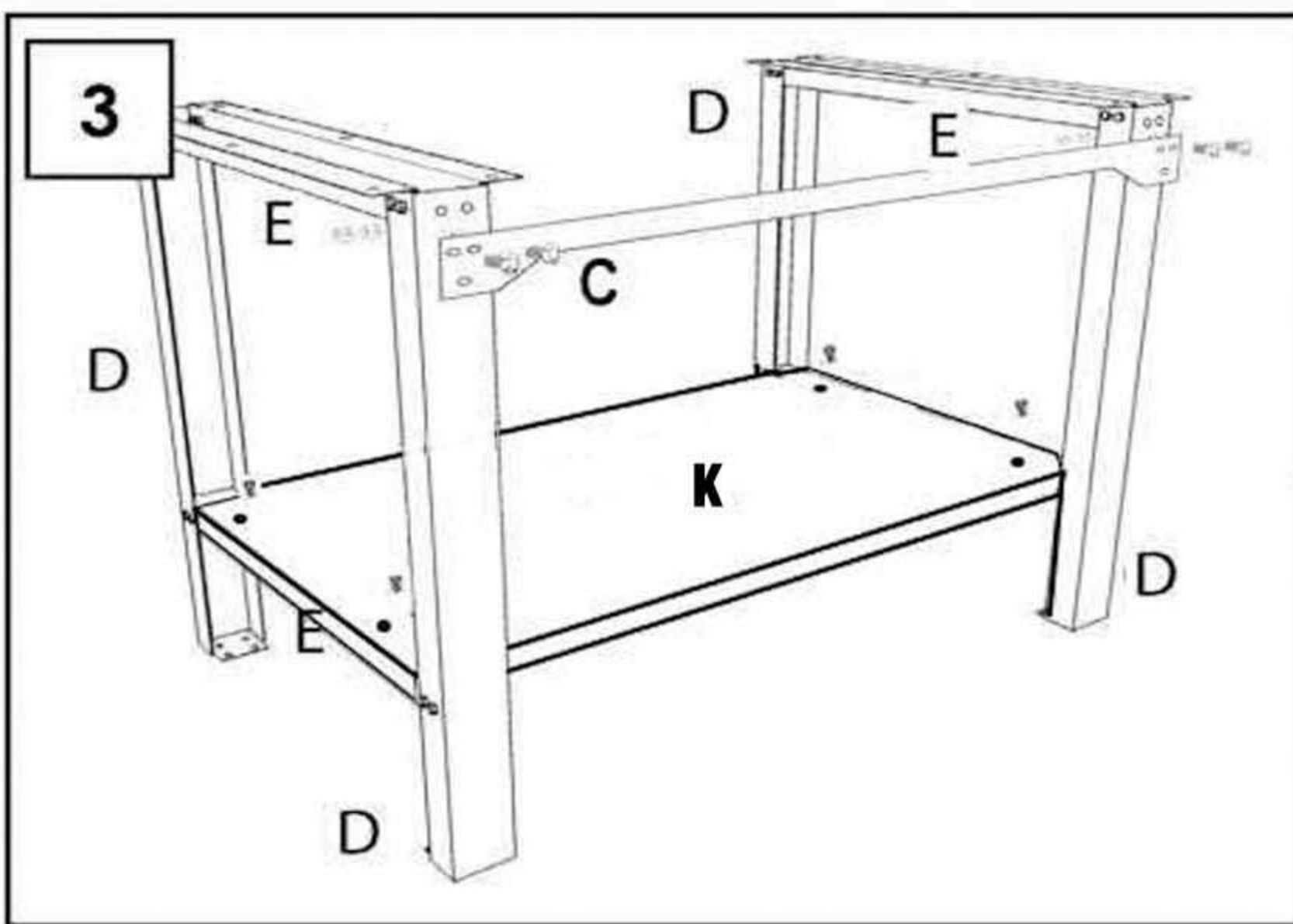
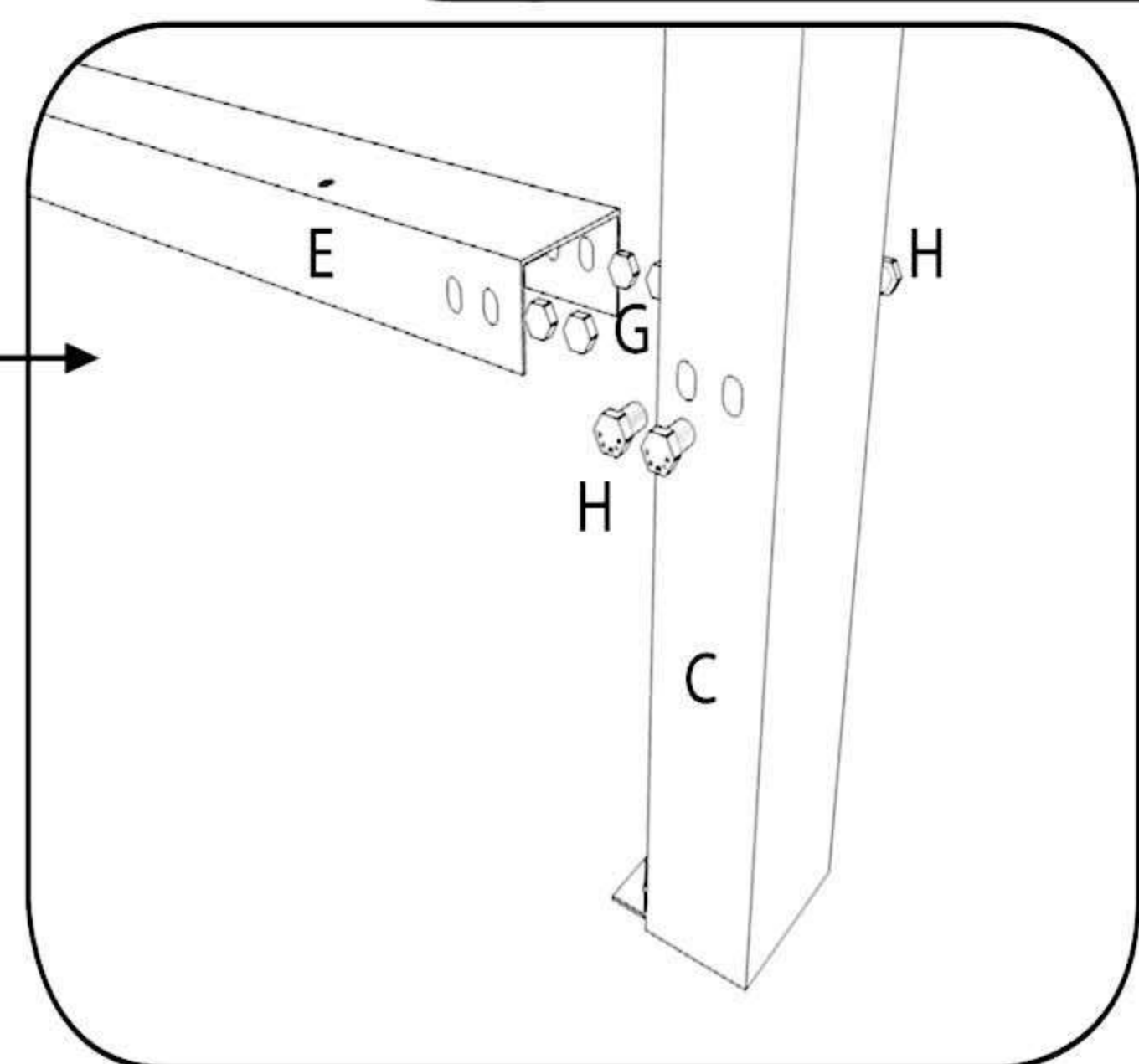
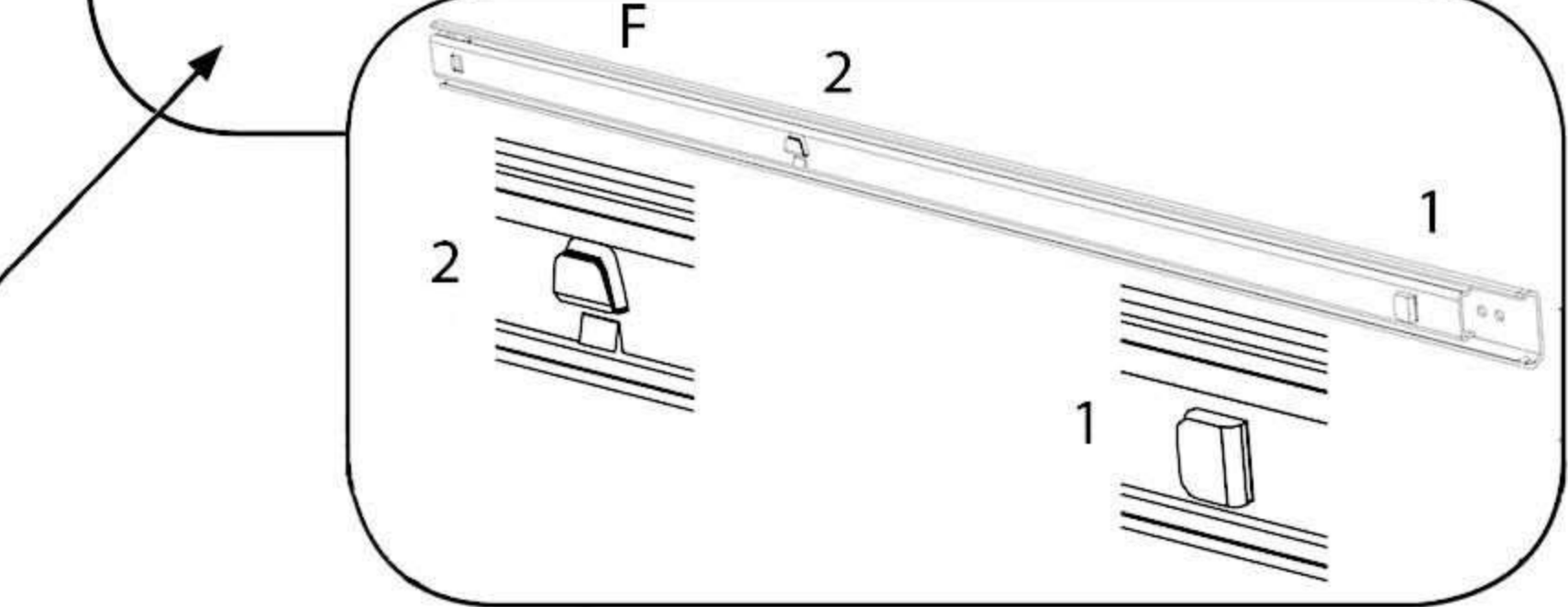
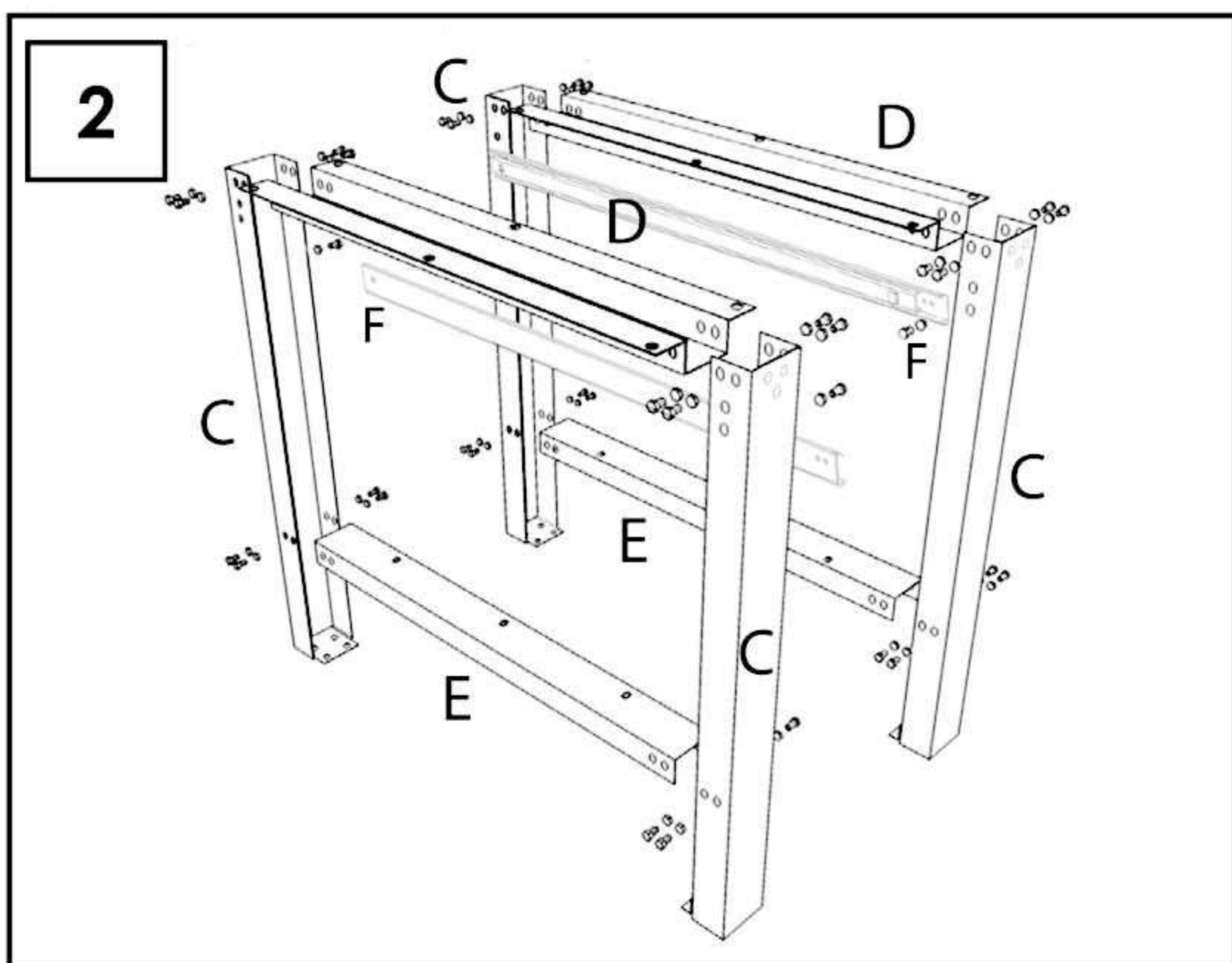
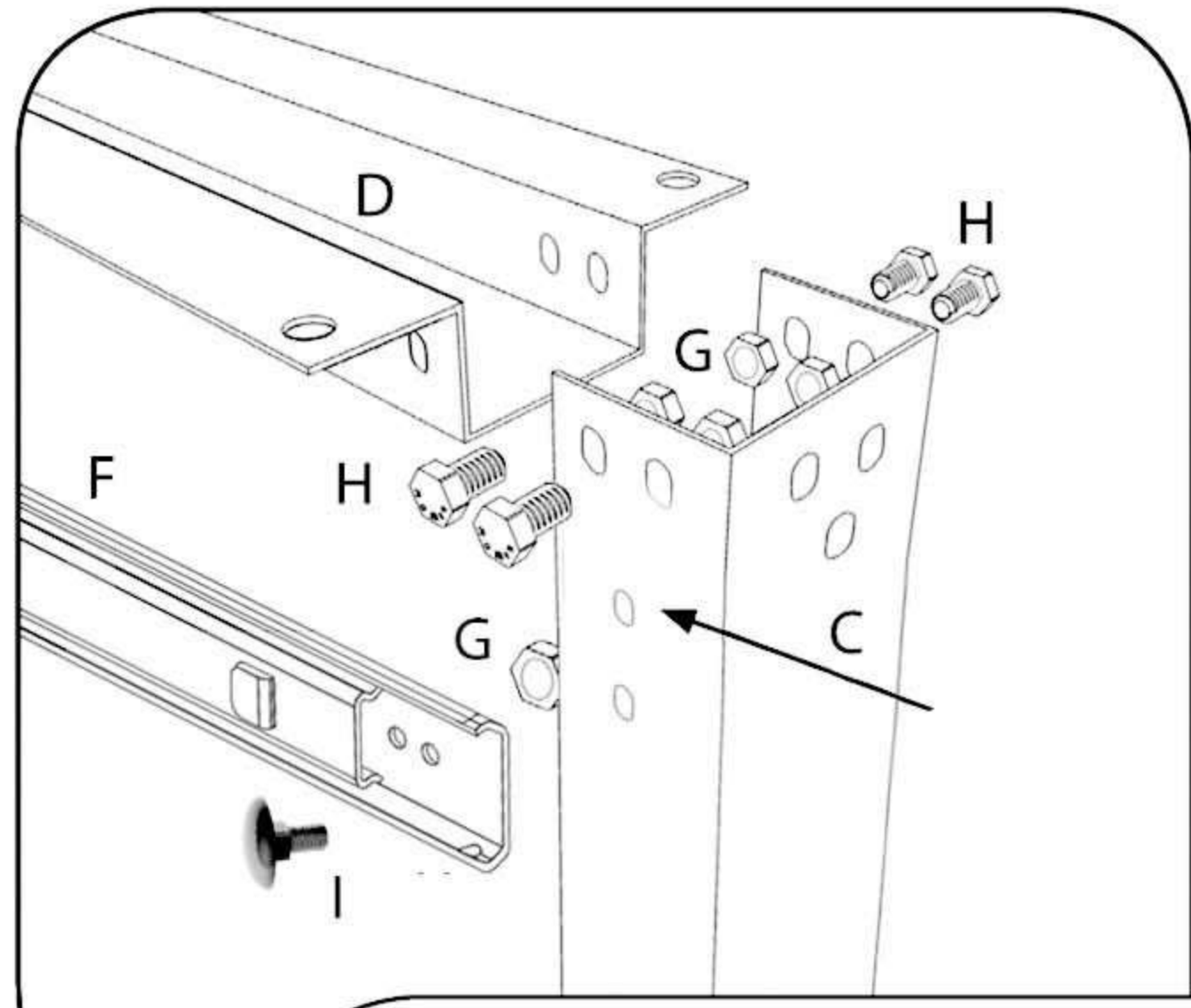
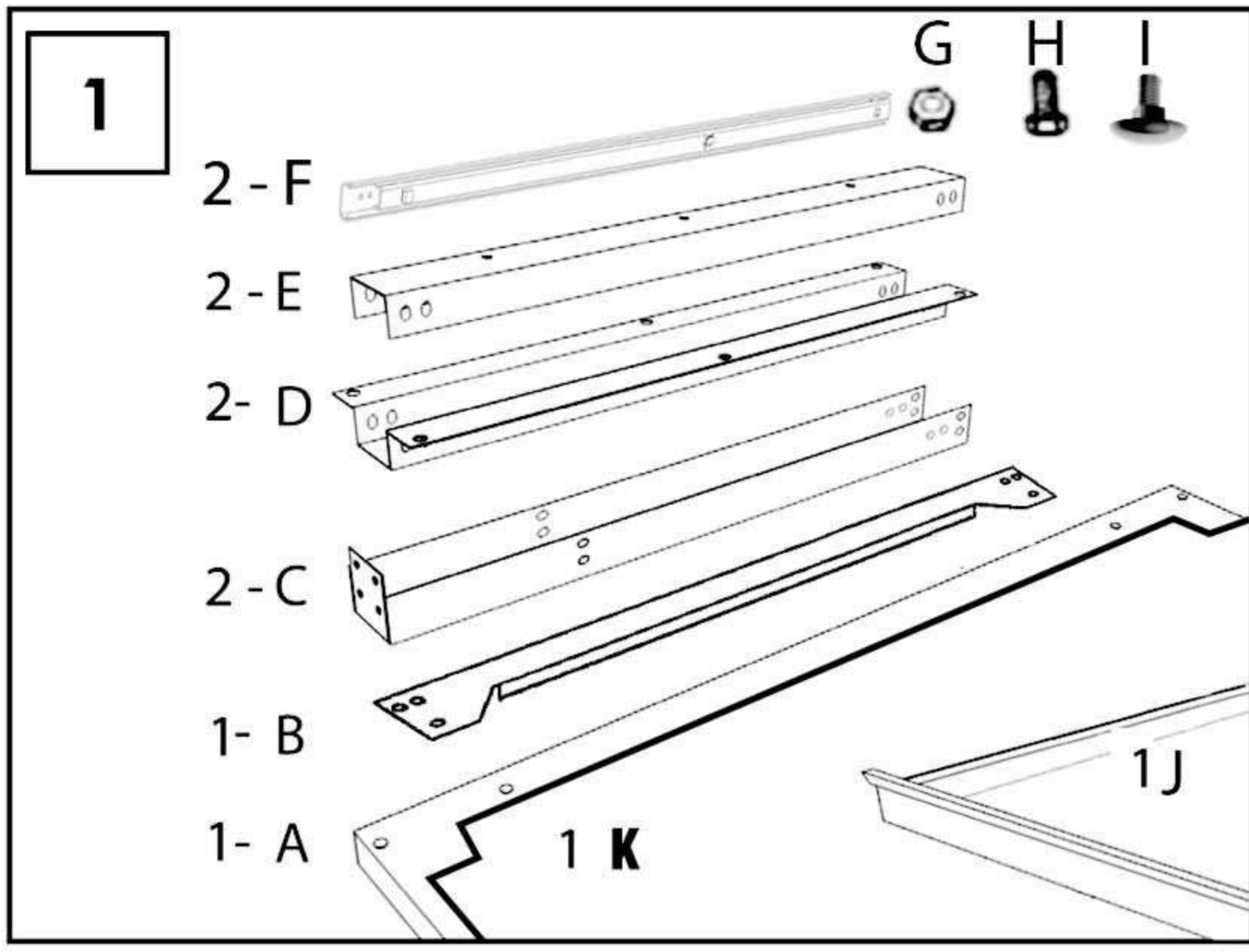
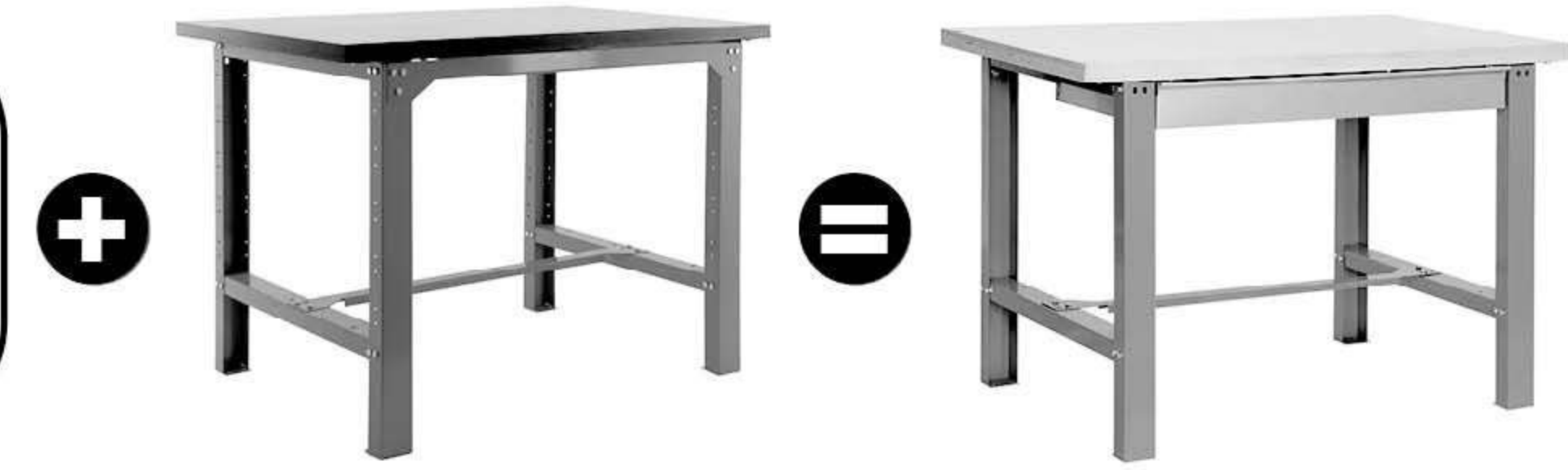
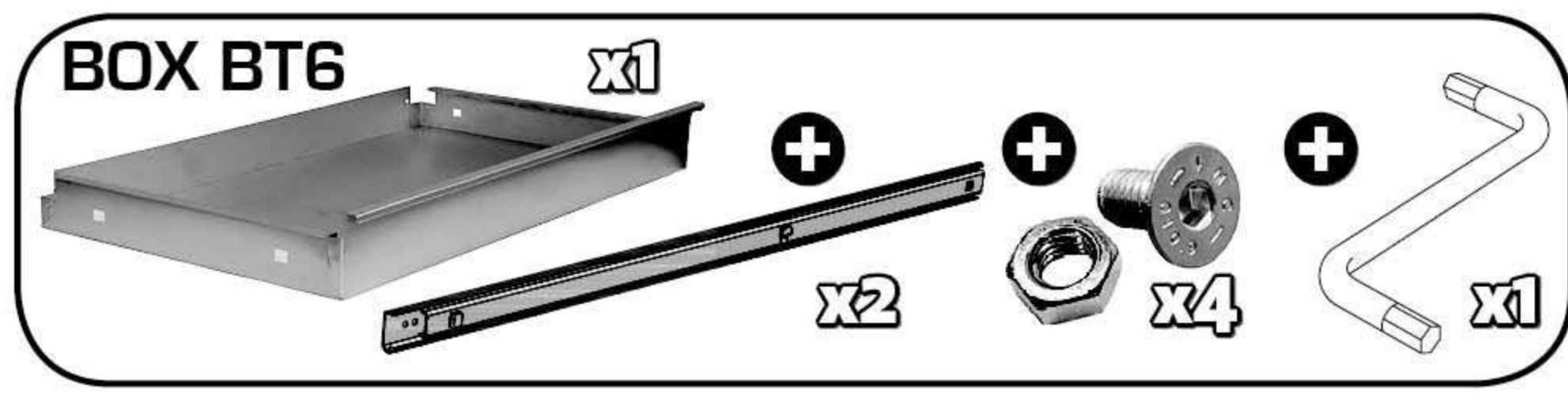


INSTRUCCIONES  
INSTRUCTIONS  
ANLEITUNG  
INSTRUCTIONS



# SIMONWORK BOX BT6

BOX BT6 + BT6 = BT6 BOX



**SIMONCLASSIC**

150 kg  
350 lb

**SIMONCLICK**

400 kg  
900 lb

**SIMONTALLER**

700 kg  
1550 lb

**SIMONAUTO**

300 kg  
660 lb

**SIMONWORK**

800 kg  
1800 lb

**SIMONLOCKER**

**SIMONOFFICE**

275 kg  
600 lb

**SIMONHOME**

150 kg  
350 lb

**SIMONGARDEN**

600 kg  
1350 lb

**SIMONTITÁN**

900 kg  
1990 lb

**SIMONINDUSTRIAL**

**SIMONPALET**

4500 kg  
9950 lb

**SIMONLEVER**

ALTILLOS Y PASILLOS ELEVADOS  
PLATFORMS AND MEZZANINES  
LAGERBÜHNEN • PLATES-FORMES ET MEZZANINES

\* Kg / lb per bandeja con carga uniformemente repartida  
Kg / lb per shelf uniformly distributed load  
Kg / lb pro fach bei gleichmäßig verteilter last  
Kg / lb par plateau avec charge uniformément répartie

www.simonrack.com • www.instructionsrack.com